



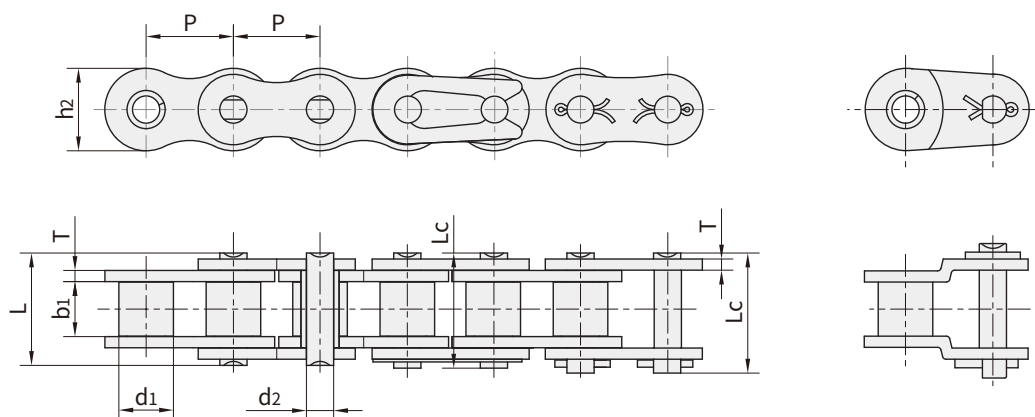
ROLLER CHAIN PRODUCT CATALOGUE

ISO9001 REGISTERED
SUPERIOR CHAIN QUALITY



A系列短节距精密滚子链 Short pitch precision roller chain (A series)

单排滚子链/套筒链 Simplex roller chain & bush chain



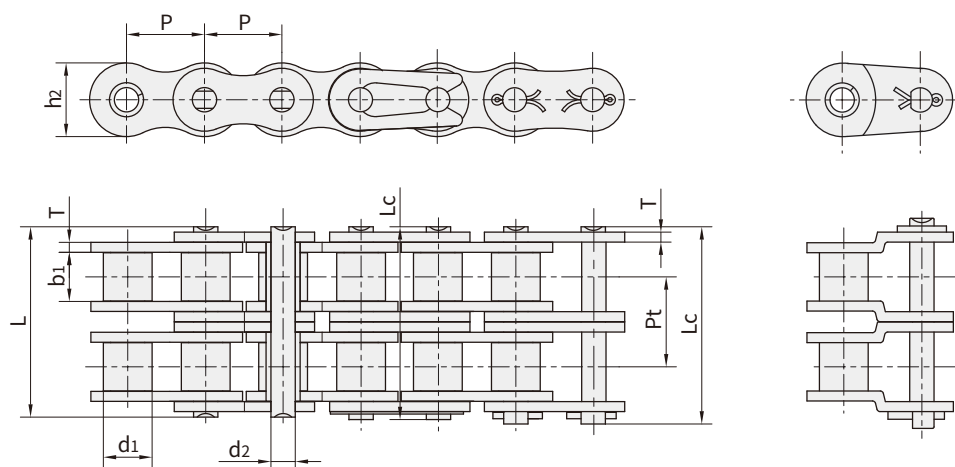
链号 DIN/ISO	链号 ANSI	节距 Pitch	滚子直径 Roller diameter	内节内宽 Width between inner plates	销轴直径 Pin diameter	销轴长度 Pin length		内链板高度 Innerplate depth	链板厚度 Plate thickness	极限拉伸载荷 Ultimate tensile strength	平均拉伸载荷 Average tensile strength	每米长重 Weight per meter
DIN/ISO Chain No.	ANSI Chain No.	P	d ₁ max	b ₁ min	d ₂ max	L max	L _c max	h ₂ max	T max	Q min	Q ₀	q
		mm	mm	mm	mm	mm	mm	mm	mm	kN/lbf	kN	kg/m
*03C	*15	4.7625	2.48	2.38	1.62	6.10	6.90	4.30	0.60	1.80/409	2.0	0.08
*04C-1	*25	6.3500	3.30	3.18	2.31	7.90	8.40	6.00	0.80	3.50/795	4.6	0.15
*06C-1	*35	9.5250	5.08	4.77	3.58	12.40	13.17	9.00	1.30	7.90/1795	10.8	0.33
085-1	41	12.7000	7.77	6.25	3.58	13.75	15.00	9.91	1.30	6.67/1516	12.6	0.41
08A-1	40	12.7000	7.95	7.85	3.96	16.60	17.80	12.00	1.50	14.10/3205	17.5	0.62
10A-1	50	15.8750	10.16	9.40	5.08	20.70	22.20	15.09	2.03	22.20/5045	29.4	1.02
12A-1	60	19.0500	11.91	12.57	5.94	25.90	27.70	18.00	2.42	31.80/7227	41.5	1.50
16A-1	80	25.4000	15.88	15.75	7.92	32.70	35.00	24.00	3.25	56.70/12886	69.4	2.60
20A-1	100	31.7500	19.05	18.90	9.53	40.40	44.70	30.00	4.00	88.50/20114	109.2	3.91
24A-1	120	38.1000	22.23	25.22	11.10	50.30	54.30	35.70	4.80	127.00/28864	156.3	5.62
28A-1	140	44.4500	25.40	25.22	12.70	54.40	59.00	41.00	5.60	172.40/39182	212.0	7.50
32A-1	160	50.8000	28.58	31.55	14.27	64.80	69.60	47.80	6.40	226.80/51545	278.9	10.10
36A-1	180	57.1500	35.71	35.48	17.46	72.80	78.60	53.60	7.20	280.20/63682	341.8	13.45
40A-1	200	63.5000	39.68	37.85	19.85	80.30	87.20	60.00	8.00	353.80/80409	431.6	16.15
48A-1	240	76.2000	47.63	47.35	23.81	95.50	103.00	72.39	9.50	510.30/115977	622.5	23.20

■*套筒链：表中滚子直径d₁为套筒直径

■Bush chain: d₁ in the table indicates the external diameter of the bush

A系列短节距精密滚子链 Short pitch precision roller chain (A series)

双排滚子链/套筒链 Duplex roller chains & bush chain



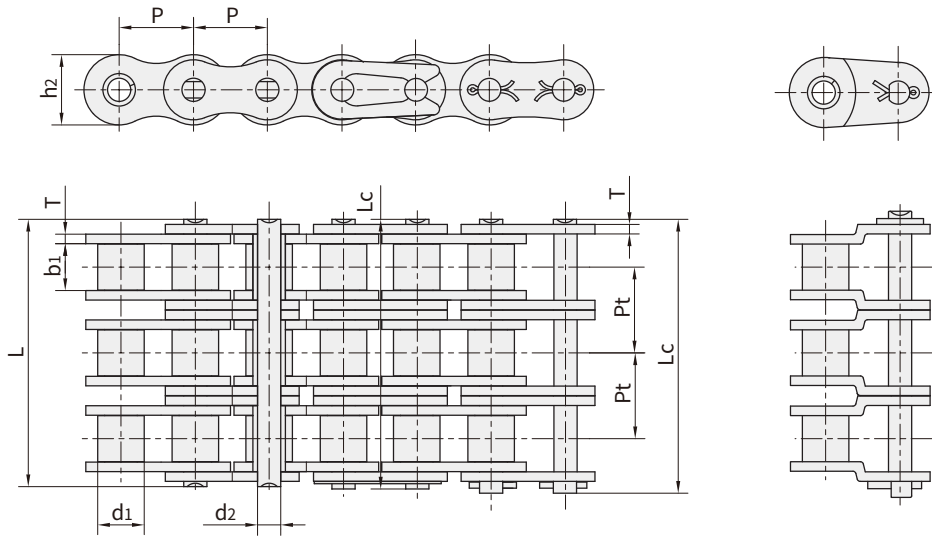
链号 DIN/ISO	链号 ANSI	节距 Pitch	滚子直径 Roller diameter	内节内宽 Width between inner plates	销轴直径 Pin diameter	销轴长度 Pin length		内链板高度 Inner plate depth	链板厚度 Plate thickness	排距 Transverse pitch	极限拉伸载荷 Ultimate tensile strength	平均拉伸载荷 Average tensile strength	每米长重 Weight per meter
DIN/ISO Chain No.	ANSI Chain No.	P	d1 max	b1 min	d2 max	L max	Lc max	h2 max	T max	Pt	Q min	Q ₀	q
		mm	mm	mm	mm	mm	mm	mm	mm	mm	kN/lbf	kN	kg/m
*04C-2	*25-2	6.350	3.30	3.18	2.31	14.5	15.0	6.00	0.80	6.40	7.00/1591	8.6	0.28
*06C-2	*35-2	9.525	5.08	4.77	3.58	22.5	23.3	9.00	1.30	10.13	15.80/3591	19.7	0.63
085-2	41-2	12.700	7.77	6.25	3.58	25.7	26.9	9.91	1.30	11.95	13.34/3032	16.9	0.81
08A-2	40-2	12.700	7.95	7.85	3.96	31.0	32.2	12.00	1.50	14.38	28.20/6409	35.9	1.12
10A-2	50-2	15.875	10.16	9.40	5.08	38.9	40.4	15.09	2.03	18.11	44.40/10091	58.1	2.00
12A-2	60-2	19.050	11.91	12.57	5.94	48.8	50.5	18.00	2.42	22.78	63.60/14455	82.1	2.92
16A-2	80-2	25.400	15.88	15.75	7.92	62.7	64.3	24.00	3.25	29.29	113.40/25773	141.8	5.15
20A-2	100-2	31.750	19.05	18.90	9.53	76.4	80.5	30.00	4.00	35.76	177.00/40227	219.4	7.80
24A-2	120-2	38.100	22.23	25.22	11.10	95.8	99.7	35.70	4.80	45.44	254.00/57727	314.9	11.70
28A-2	140-2	44.450	25.40	25.22	12.70	103.3	107.9	41.00	5.60	48.87	344.80/78364	427.5	15.14
32A-2	160-2	50.800	28.58	31.55	14.27	123.3	128.1	47.80	6.40	58.55	453.60/103091	562.4	20.14
36A-2	180-2	57.150	35.71	35.48	17.46	138.6	144.4	53.60	7.20	65.84	560.50/127386	695.0	29.22
40A-2	200-2	63.500	39.68	37.85	19.85	151.9	158.8	60.00	8.00	71.55	707.60/160818	877.4	32.24
48A-2	240-2	76.200	47.63	47.35	23.81	183.4	190.8	72.39	9.50	87.83	1020.60/213955	1255.3	45.23

■*套筒链：表中滚子直径d1为套筒直径

■*Bush chain: d1 in the table indicates the external diameter of the bush

A系列短节距精密滚子链 Short pitch precision roller chain (A series)

三排滚子链/套筒链 Triplex roller chain & bush chain



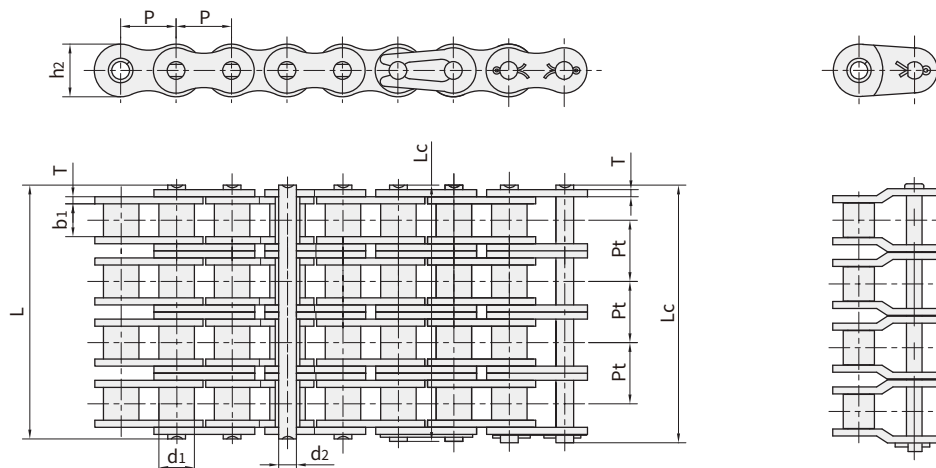
链号 DIN/ISO	链号 ANSI	节距 Pitch	滚子直径 Roller diameter	内节内宽 Width between inner plates	销轴直径 Pin diameter	销轴长度 Pin length		内链板高度 Inner plate depth	链板厚度 Plate thickness	排距 Transverse pitch	极限拉伸载荷 Ultimate tensile strength	平均拉伸载荷 Average tensile strength	每米长重 Weight per meter
DIN/ISO Chain No.	ANSI Chain No.	P	d ₁ max	b ₁ min	d ₂ max	L max	L _c max	h ₂ max	T max	Pt	Q _{min}	Q ₀	q
		mm	mm	mm	mm	mm	mm	mm	mm	mm	kN/lbf	kN	kg/m
*04C-3	*25-3	6.350	3.30	3.18	2.31	21.0	21.5	6.00	0.80	6.40	10.5/2386	12.6	0.44
*06C-3	*35-3	9.525	5.08	4.77	3.58	32.7	33.5	9.00	1.30	10.13	23.7/5386	28.6	1.05
08A-3	40-3	12.700	7.95	7.85	3.96	45.4	46.6	12.00	1.50	14.38	42.3/9614	50.0	1.90
10A-3	50-3	15.875	10.16	9.40	5.08	57.0	58.5	15.09	2.03	18.11	66.6/15136	77.8	3.09
12A-3	60-3	19.050	11.91	12.57	5.94	71.5	73.3	18.00	2.42	22.78	95.4/21682	111.1	4.54
16A-3	80-3	25.400	15.88	15.75	7.92	91.7	93.6	24.00	3.25	29.29	170.1/38659	198.4	7.89
20A-3	100-3	31.750	19.05	18.90	9.53	112.2	116.3	30.00	4.00	35.76	265.5/60341	309.6	11.77
24A-3	120-3	38.100	22.23	25.22	11.10	141.4	145.2	35.70	4.80	45.44	381.0/86591	437.2	17.53
28A-3	140-3	44.450	25.40	25.22	12.70	152.2	156.8	41.00	5.60	48.87	517.2/117545	593.3	22.20
32A-3	160-3	50.800	28.58	31.55	14.27	181.8	186.6	47.80	6.40	58.55	680.4/154636	780.6	30.02
36A-3	180-3	57.150	35.71	35.48	17.46	204.4	210.2	53.60	7.20	65.84	840.7/191068	983.6	38.22
40A-3	200-3	63.500	39.68	37.85	19.85	223.5	230.4	60.00	8.00	71.55	1061.4/241227	1217.8	49.03
48A-3	240-3	76.200	47.63	47.35	23.81	271.3	278.6	72.39	9.50	87.83	1530.9/347932	1756.5	71.60

■*套筒链：表中滚子直径d₁为套筒直径

■*Bush chain: d₁ in the table indicates the external diameter of the bush

A系列短节距精密滚子链 Short pitch precision roller chain (A series)

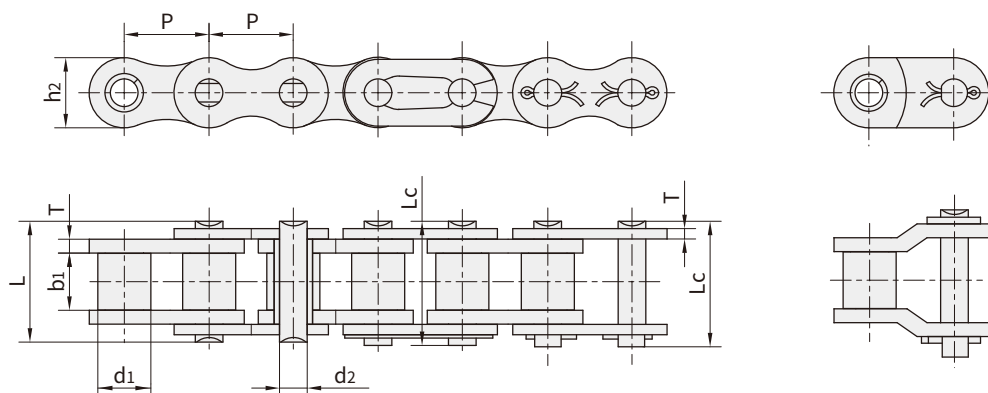
多排滚子链 Multiple strand roller chain



链号	链号 ANSI	节距 Pitch	滚子直径 Roller diameter	内节内宽 Width between inner plates	销轴直径 Pin diameter	销轴长度 Pin length		内链板高度 Inner plate depth	链板厚度 Plate thickness	排距 Transverse pitch	极限拉伸载荷 Ultimate tensile strength	平均拉伸载荷 Average tensile strength	每米长重 Weight per meter
Chain No.	ANSI Chain No.	P	d ₁ max	b ₁ min	d ₂ max	L max	L _c max	h ₂ max	T max	Pt	Q _{min}	Q ₀	q
		mm	mm	mm	mm	mm	mm	mm	mm	mm	kN/lbf	kN	kg/m
08A-4	40-4	12.700	7.95	7.85	3.96	59.8	61.0	12.00	1.50	14.38	56.4/12687	62.04	2.57
10A-4	50-4	15.875	10.16	9.40	5.08	75.1	76.6	15.09	2.03	18.11	88.8/19976	97.68	4.30
12A-4	60-4	19.050	11.91	12.57	5.94	94.4	96.1	18.00	2.42	22.78	127.2/28614	139.92	6.21
16A-4	80-4	25.400	15.88	15.75	7.92	121.0	124.4	24.00	3.25	29.29	226.8/51020	249.48	10.37
20A-4	100-4	31.750	19.05	18.90	9.53	147.8	152.1	30.00	4.00	35.76	354/79635	389.40	15.60
24A-4	120-4	38.100	22.23	25.22	11.10	187.0	190.8	35.70	4.80	45.44	508/114278	558.80	23.56
08A-5	40-5	12.700	7.95	7.85	3.96	74.2	75.4	12.00	1.50	14.38	70.5/15859	77.55	3.19
10A-5	50-5	15.875	10.16	9.40	5.08	93.2	94.7	15.09	2.03	18.11	111/24970	122.10	5.37
12A-5	60-5	19.050	11.91	12.57	5.94	117.0	118.8	18.00	2.42	22.78	159/35768	174.90	7.75
16A-5	80-5	25.400	15.88	15.75	7.92	149.9	153.7	24.00	3.25	29.29	283.5/63775	311.85	12.96
20A-5	100-5	31.750	19.05	18.90	9.53	183.6	187.9	30.00	4.00	35.76	442.5/99543	486.75	19.46
24A-5	120-5	38.100	22.23	25.22	11.10	232.3	236.1	35.70	4.80	45.44	635/142848	698.50	29.40
08A-6	40-6	12.700	7.95	7.85	3.96	88.5	89.8	12.00	1.50	14.38	84.6/19031	93.06	3.83
10A-6	50-6	15.875	10.16	9.40	5.08	111.3	112.8	15.09	2.03	18.11	133.2/29964	146.52	6.43
12A-6	60-6	19.050	11.91	12.57	5.94	139.8	141.8	18.00	2.42	22.78	190.8/42921	209.80	9.31
16A-6	80-6	25.400	15.88	15.75	7.92	179.2	183.0	24.00	3.25	29.29	340.2/76530	374.22	15.50
20A-6	100-6	31.750	19.05	18.90	9.53	219.4	223.7	30.00	4.00	35.76	531/119452	584.10	23.36
24A-6	120-6	38.100	22.23	25.22	11.10	278.0	282.0	35.70	4.80	45.44	762/171417	838.20	35.30
08A-8	40-8	12.700	7.95	7.85	3.96	117.3	118.5	12.00	1.50	14.38	112.8/25375	124.08	5.11
10A-8	50-8	15.875	10.16	9.40	5.08	147.5	149.0	15.09	2.03	18.11	177.6/39952	195.36	8.59
12A-8	60-8	19.050	11.91	12.57	5.94	185.8	187.6	18.00	2.42	22.78	254.4/57229	279.84	12.37
16A-8	80-8	25.400	15.88	15.75	7.92	237.8	241.6	24.00	3.25	29.29	453.6/102040	498.96	20.67
20A-8	100-8	31.750	19.05	18.90	9.53	290.8	295.1	30.00	4.00	35.76	708/159270	778.80	31.14
24A-8	120-8	38.100	22.23	25.22	11.10	368.8	372.8	35.70	4.80	45.44	1016/228557	1176	47.07

B系列短节距精密滚子链 Short pitch precision roller chain (B series)

单排滚子链 Simplex roller chain

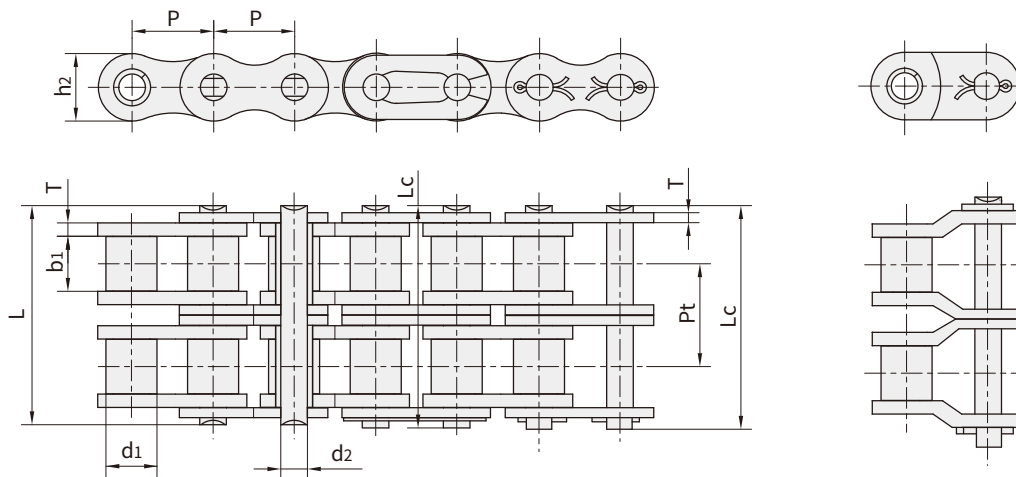


链号 DIN/ISO	节距 Pitch	滚子直径 Roller diameter	内节内宽 Width between inner plates	销轴直径 Pin diameter	销轴长度 Pin length		内链板高度 Innerplate depth	链板厚度 Plate thickness	极限拉伸载荷 Ultimate tensile strength	平均拉伸载荷 Average tensile strength	每米长重 Weight per meter
DIN/ISO Chain No.	P	d ₁ max	b ₁ min	d ₂ max	L max	L _c max	h ₂ max	T max	Q min	Q ₀	q
	mm	mm	mm	mm	mm	mm	mm	mm	kN/lbf	kN	kg/m
04B-1	6.000	4.00	2.80	1.85	6.80	7.8	5.00	0.60	3.0/682	3.2	0.11
05B-1	8.000	5.00	3.00	2.31	8.20	8.9	7.10	0.80	5.0/1136	5.9	0.20
*06B-1	9.525	6.35	5.72	3.28	13.15	14.1	8.20	1.30	9.0/2045	10.4	0.41
08B-1	12.700	8.51	7.75	4.45	16.70	18.2	11.80	1.60	18.0/4091	19.4	0.69
10B-1	15.875	10.16	9.65	5.08	19.50	20.9	14.70	1.70	22.4/5091	27.5	0.93
12B-1	19.050	12.07	11.68	5.72	22.50	24.2	16.00	1.85	29.0/6591	32.2	1.15
16B-1	25.400	15.88	17.02	8.28	36.10	37.4	21.00	4.15/3.1	60.0/13636	72.8	2.71
20B-1	31.750	19.05	19.56	10.19	41.30	45.0	26.40	4.50/3.5	95.0/21591	106.7	3.70
24B-1	38.100	25.40	25.40	14.63	53.40	57.8	33.20	6.00/4.8	160.0/36364	178.0	7.10
28B-1	44.450	27.94	30.99	15.90	65.10	69.5	36.70	7.50/6.0	200.0/45455	222.0	8.50
32B-1	50.800	29.21	30.99	17.81	66.00	71.0	42.00	7.00/6.0	250.0/56818	277.5	10.25
40B-1	63.500	39.37	38.10	22.89	82.20	89.2	52.96	8.50/8.0	355.0/80682	394.0	16.35
48B-1	76.200	48.26	45.72	29.24	99.10	107.0	63.80	12.00/10.0	560.0/127272	621.6	25.00
56B-1	88.900	53.98	53.34	34.32	114.6	123.0	77.80	13.50/12.0	850.0/193180	940.0	35.78
64B-1	101.600	63.50	60.96	39.40	130.0	138.5	90.17	15.00/13.0	112.0/254544	1240.0	46.00
72B-1	114.300	72.39	68.58	44.48	147.4	156.4	103.60	17.00/15.0	1400.0/318180	1550.0	60.80

- *直链板
- * Straight side plates

B系列短节距精密滚子链 Short pitch precision roller chain (B series)

双排滚子链 Duplex roller chain

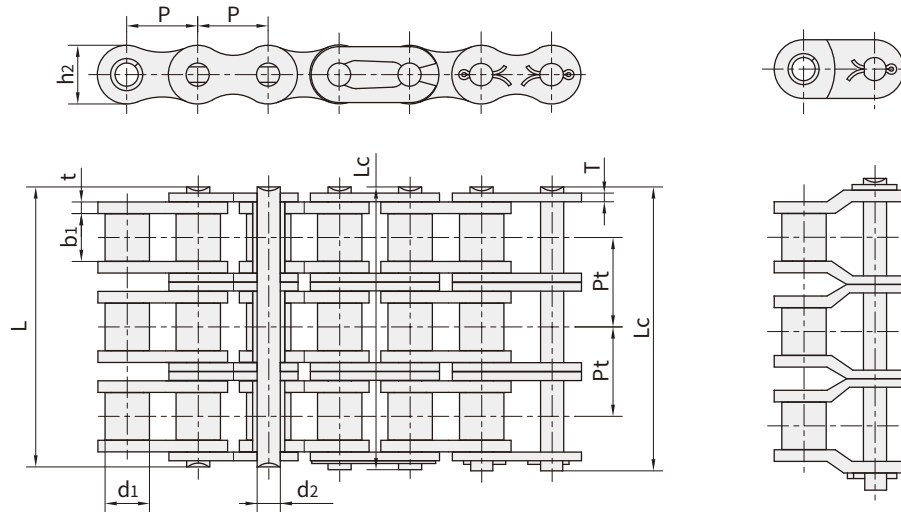


链号 DIN/ISO	节距 Pitch	滚子直径 Roller diameter	内节内宽 Width between inner plates	销轴直径 Pin diameter	销轴长度 Pin length		内链板高度 Innerplate depth	链板厚度 Plate thickness	排距 Transverse pitch	极限拉伸载荷 Ultimate tensile strength	平均拉伸载荷 Average tensile strength	每米长重 Weight per meter
DIN/ISO Chain No.	P	d ₁ max	b ₁ min	d ₂ max	L max	L _c max	h ₂ max	T max	P _t	Q _{min}	Q ₀	q
	mm	mm	mm	mm	mm	mm	mm	mm	mm	kN/lbf	kN	kg/m
05B-2	8.000	5.00	3.00	2.31	13.9	14.5	7.10	0.80	5.64	7.8/1773	10.2	0.33
*06B-2	9.525	6.35	5.72	3.28	23.4	24.4	8.20	1.30	10.24	16.9/3841	18.7	0.77
08B-2	12.700	8.51	7.75	4.45	31.0	32.2	11.80	1.60	13.92	32.0/7273	38.7	1.34
10B-2	15.875	10.16	9.65	5.08	36.1	37.5	14.70	1.70	16.59	44.5/10114	56.2	1.84
12B-2	19.050	12.07	11.68	5.72	42.0	43.6	16.00	1.85	19.46	57.8/13136	66.1	2.31
16B-2	25.400	15.88	17.02	8.28	68.0	69.3	21.00	4.15/3.1	31.88	106.0/24091	133.0	5.42
20B-2	31.750	19.05	19.56	10.19	77.8	81.5	26.40	4.50/3.5	36.45	170.0/38636	211.2	7.20
24B-2	38.100	25.40	25.40	14.63	101.7	106.2	33.20	6.00/4.8	48.36	280.0/63636	319.2	13.40
28B-2	44.450	27.94	30.99	15.90	124.6	129.1	36.70	7.50/6.0	59.56	360.0/81818	406.8	16.60
32B-2	50.800	29.21	30.99	17.81	124.6	129.6	42.00	7.00/6.0	58.55	450.0/102273	508.5	21.00
40B-2	63.500	39.37	38.10	22.89	154.5	161.5	52.96	8.50/8.0	72.29	630.0/143182	711.9	32.00
48B-2	76.200	48.26	45.72	29.24	190.4	198.2	63.80	12.00/10.0	91.21	1000.0/227272	1130.0	50.00
56B-2	88.900	53.98	53.34	34.32	221.2	229.6	77.80	13.50/12.0	106.60	1600.0/363635	1760.0	71.48
64B-2	101.600	63.50	60.96	39.40	249.9	258.4	90.17	15.00/13.0	119.89	2000.0/454544	2200.0	91.00
72B-2	114.300	72.39	68.58	44.48	283.7	292.7	103.60	17.00/15.0	136.27	2500.0/568180	2750.0	120.40

■*直链板
■*Straight side plates

B系列短节距精密滚子链 Short pitch precision roller chain (B series)

三排滚子链 Triplex roller chain

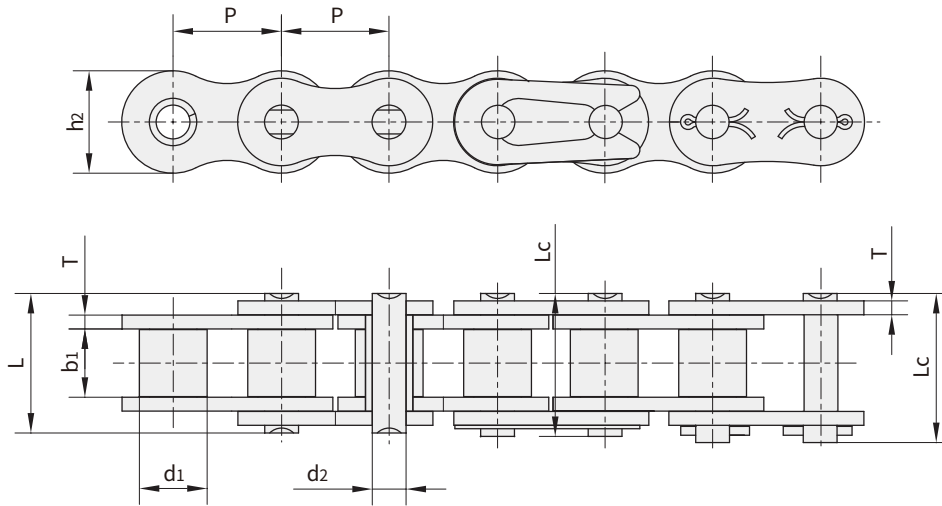


链号 DIN/ISO	节距 Pitch	滚子直径 Roller diameter	内节内宽 Width between inner plates	销轴直径 Pin diameter	销轴长度 Pin length		内链板高度 Innerplate depth	链板厚度 Plate thickness	排距 Transverse pitch	极限拉伸载荷 Ultimate tensile strength	平均拉伸载荷 Average tensile strength	每米长重 Weight per meter
DIN/ISO Chain No.	P	d1 max	b1 min	d2 max	L max	Lc max	h2 max	T max	Pt	Q min	Q0	q
	mm	mm	mm	mm	mm	mm	mm	mm	mm	kN/lbf	kN	kg/m
05B-3	8.000	5.00	3.00	2.31	19.5	20.2	7.10	0.80	5.64	11.1/2523	13.8	0.48
*06B-3	9.525	6.35	5.72	3.28	33.5	34.6	8.20	1.30	10.24	24.9/5659	30.1	1.16
08B-3	12.700	8.51	7.75	4.45	45.1	46.1	11.80	1.60	13.92	47.5/10795	57.8	2.03
10B-3	15.875	10.16	9.65	5.08	52.7	54.1	14.70	1.70	16.59	66.7/15159	84.5	2.77
12B-3	19.050	12.07	11.68	5.72	61.5	63.1	16.00	1.85	19.46	86.7/19705	101.8	3.46
16B-3	25.400	15.88	17.02	8.28	99.8	101.2	21.00	4.15/3.1	31.88	160.0/36364	203.7	8.13
20B-3	31.750	19.05	19.56	10.19	114.2	117.9	26.40	4.50/3.5	36.45	250.0/56818	290.0	10.82
24B-3	38.100	25.40	25.40	14.63	150.1	154.6	33.20	6.00/4.8	48.36	425.0/96591	493.0	20.10
28B-3	44.450	27.94	30.99	15.90	184.2	188.7	36.70	7.50/6.0	59.56	530.0/120454	609.5	24.92
32B-3	50.800	29.21	30.99	17.81	183.2	188.2	42.00	7.00/6.0	58.55	670.0/152273	770.5	31.56
40B-3	63.500	39.37	38.10	22.89	226.8	233.8	52.96	8.50/8.0	72.29	950.0/215909	1092.5	48.10
48B-3	76.200	48.26	45.72	29.24	281.6	289.4	63.80	12.00/10.0	91.21	1500.0/340909	1710.0	75.00
56B-3	88.900	53.98	53.34	34.32	327.8	336.2	77.80	13.50/12.0	106.6	2240.0/545450	2464.0	107.18
64B-3	101.60	63.50	60.96	39.40	369.8	378.3	90.17	15.00/13.0	119.89	3000.0/681820	3300.0	136.00
72B-3	114.30	72.39	68.58	44.48	420.0	429.0	103.60	17.00/15.0	136.27	3750.0/852270	4125.0	180.00

■*直链板
■*Straight side plates

重载系列滚子链 Heavy duty series roller chain

单排滚子链/套筒链 Simplex roller chains & bush chain



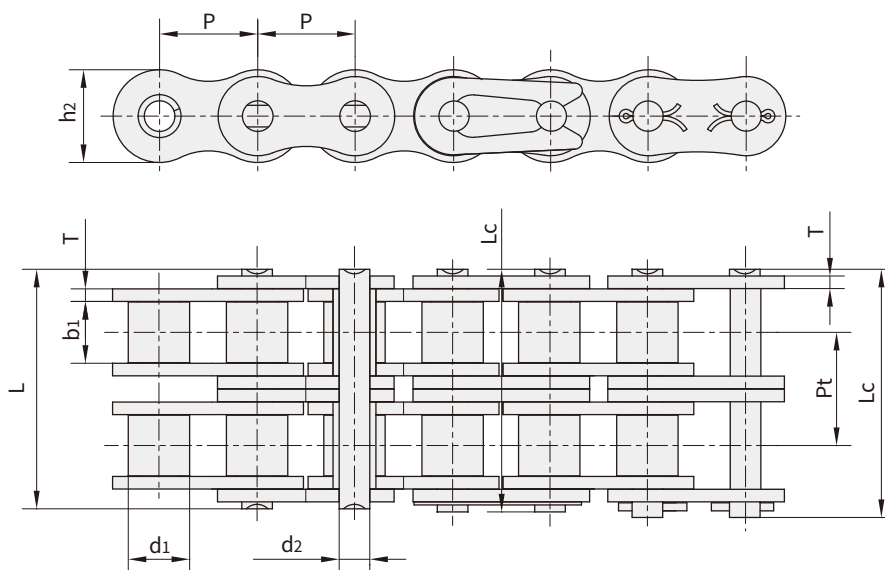
链号 ANSI/ISO	节距 Pitch	滚子直径 Roller diameter	内节内宽 Width between inner plates	销轴直径 Pin diameter	销轴长度 Pin length		内链板高度 Innerplate depth	链板厚度 Plate thickness	极限拉伸载荷 Ultimate tensile strength	平均拉伸载荷 Average tensile strength	每米长重 Weight per meter
ANSI/ISO Chain No.	P	d ₁ max	b ₁ min	d ₂ max	L max	L _c max	h ₂ max	T max	Q min	Q ₀	q
	mm	mm	mm	mm	mm	mm	mm	mm	kN/lbf	kN	kg/m
*35H-1	9.525	5.08	4.77	3.58	13.3	14.3	9.00	1.50	7.9/1795	10.8	0.41
40H-1	12.700	7.95	7.85	3.96	18.8	19.9	12.00	2.03	14.1/3205	19.1	0.82
50H-1	15.875	10.16	9.40	5.08	22.1	23.4	15.09	2.42	22.2/5045	30.2	1.25
60H-1	19.050	11.91	12.57	5.94	29.2	31.0	18.00	3.25	31.8/7227	42.7	1.87
80H-1	25.400	15.88	15.75	7.92	36.2	37.7	24.00	4.00	56.7/12886	71.4	3.10
100H-1	31.750	19.05	18.90	9.53	43.6	46.9	30.00	4.80	88.5/20114	112.4	4.52
120H-1	38.100	22.23	25.22	11.10	53.5	57.5	35.70	5.60	127.0/28864	160.9	6.60
140H-1	44.450	25.40	25.22	12.70	57.6	62.2	41.00	6.40	172.4/39182	217.3	8.30
160H-1	50.800	28.58	31.55	14.27	68.2	73.0	47.80	7.20	226.8/51545	285.8	10.30
180H-1	57.150	35.71	35.48	17.46	75.9	81.6	53.60	8.00	281.0/63863	341.8	14.83
200H-1	63.500	39.68	37.85	19.85	86.6	93.5	60.00	9.50	353.8/80409	444.5	19.16
240H-1	76.200	47.63	47.35	23.81	109.6	115.9	72.30	12.70	510.3/115977	622.5	30.40

■*套筒链：表中滚子直径d₁为套筒直径

■*Bush chain: d₁ in the table indicates the external diameter of the bush

重载系列滚子链 Heavy duty series roller chain

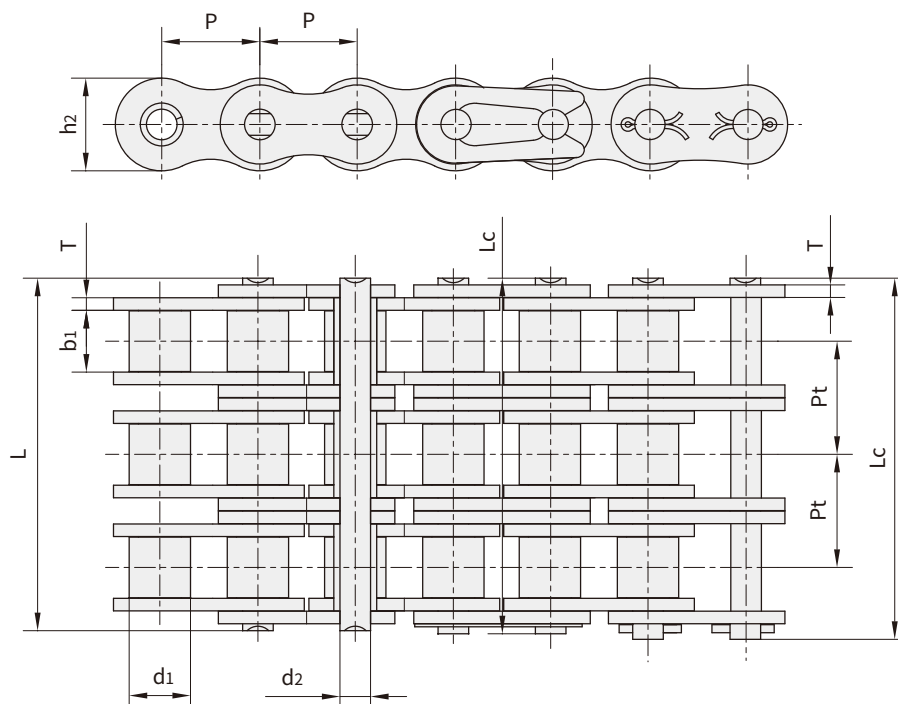
双排滚子链 Duplex roller chain



链号	节距	滚子直径	内节内宽	销轴直径	销轴长度		内链板高度	链板厚度	排距	极限拉伸载荷	平均拉伸载荷	每米长重
ANSI/ISO	Pitch	Roller diameter	Width between inner plates	Pin diameter	Pin length		Innerplate depth	Plate thickness	Transverse pitch	Ultimate tensile strength	Average tensile strength	Weight per meter
ANSI/ISO Chain No.	P	d_1 max	b_1 min	d_2 max	L max	Lc max	h_2 max	T max	P_t	Q_{min}	Q_0	q
	mm	mm	mm	mm	mm	mm	mm	mm	mm	kN/lbf	kN	kg/m
60H-2	19.050	11.91	12.57	5.94	55.3	57.1	18.00	3.25	26.11	63.6/14455	84.5	3.71
80H-2	25.400	15.88	15.75	7.92	68.8	70.3	24.00	4.00	32.59	113.4/25773	145.3	6.15
100H-2	31.750	19.05	18.90	9.53	82.7	86.0	30.00	4.80	39.09	177.0/40227	225.9	9.03
120H-2	38.100	22.23	25.22	11.10	102.4	106.4	35.70	5.60	48.87	254.0/57727	322.7	13.13
140H-2	44.450	25.40	25.22	12.70	109.8	114.4	41.00	6.40	52.20	344.8/78364	437.7	16.60
160H-2	50.800	28.58	31.55	14.27	130.1	134.9	47.80	7.20	61.90	453.6/103091	571.6	20.20
180H-2	57.150	35.71	35.48	17.46	146.5	155.6	53.60	8.00	69.16	562/127726	680.0	29.20
200H-2	63.500	39.68	37.85	19.85	164.9	171.8	60.00	9.50	78.31	707.6/160818	894.9	38.11
240H-2	76.200	47.63	47.35	23.81	212.6	223.1	72.30	12.70	101.22	1000/227270	1200.0	60.50

重载系列滚子链 Heavy duty series roller chain

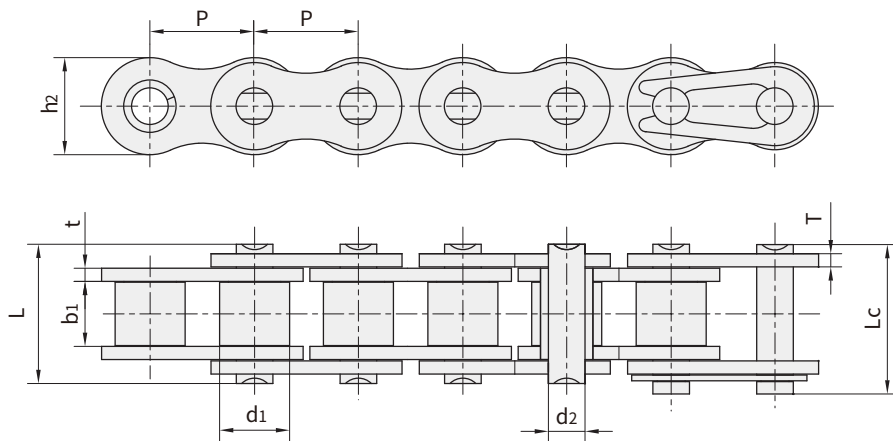
三排滚子链 Triplex roller chain



链号	节距	滚子直径	内节内宽	销轴直径	销轴长度		内链板高度	链板厚度	排距	极限拉伸载荷	平均拉伸载荷	每米长重
ANSI/ISO	Pitch	Roller diameter	Width between inner plates	Pin diameter	Pin length		Innerplate depth	Plate thickness	Transverse pitch	Ultimate tensile strength	Average tensile strength	Weight per meter
ANSI/ISO Chain No.	P	d ₁ max	b ₁ min	d ₂ max	L max	L _c max	h ₂ max	T max	P _t	Q _{min}	Q ₀	q
	mm	mm	mm	mm	mm	mm	mm	mm	mm	kN/lbf	kN	kg/m
60H-3	19.050	11.91	12.57	5.94	81.4	83.2	18.00	3.25	26.11	95.4/21682	113.9	5.54
80H-3	25.400	15.88	15.75	7.92	101.4	102.9	24.00	4.00	32.59	170.1/38659	203.5	9.42
100H-3	31.750	19.05	18.90	9.53	121.8	125.1	30.00	4.80	39.09	265.5/60341	314.8	12.96
120H-3	38.100	22.23	25.22	11.10	151.2	155.2	35.70	5.60	48.87	381.0/86591	444.7	19.64
140H-3	44.450	25.40	25.22	12.70	162.0	166.6	41.00	6.40	52.20	517.2/117545	598.4	24.90
160H-3	50.800	28.58	31.55	14.27	192.0	196.8	47.80	7.20	61.90	680.4/154636	787.3	30.10
180H-3	57.150	35.71	35.48	17.46	215.7	224.8	53.60	8.00	69.16	843/191589	1011.0	44.10
200H-3	63.500	39.68	37.85	19.85	243.2	250.1	60.00	9.50	78.31	1061.4/241227	1228.2	57.06
240H-3	76.200	47.63	47.35	23.81	313.8	324.3	72.30	12.70	101.22	1500/340905	1650.0	91.00

重载系列滚子链 Heavy duty series roller chain

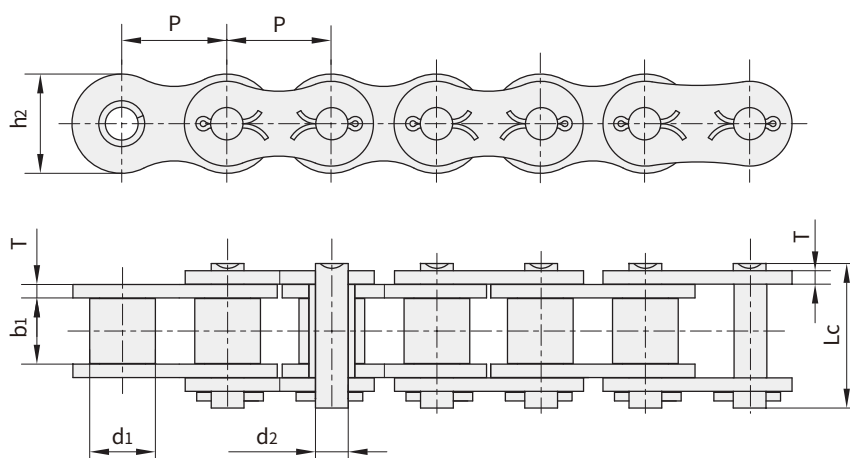
非标重载系列滚子链 Non-standard Heavy duty series roller chain



链号 Bison	节距 Pitch	滚子直径 Roller diameter	内节内宽 Width between inner plates	销轴直径 Pin diameter	销轴长度 Pin length		内链板高度 Innerplate depth	链板厚度 Plate thickness	极限拉伸载荷 Ultimate tensile strength	每米长重 Weight per meter
Bison Chain No.	P	d_1 max	b_1 min	d_2 max	L max	Lc max	h_2 max	T max	Q min	q
	mm	mm	mm	mm	mm	mm	mm	mm	kN/lbf	kg/m
08BH	12.700	8.51	7.85	4.45	18.8	19.9	11.8	2.03	20.60/4682	0.79
10BH	15.875	10.16	9.65	5.08	20.2	21.6	14.7	1.85	25.00/5681	1.03
12BH	19.050	12.07	11.68	6.10	25.2	26.8	16.8	2.50	35.00/7954	1.45
12BHF1	19.050	12.07	11.68	6.10	25.0	27.2	16.5	2.50	44.00/10000	1.46
12BHF2	19.050	12.07	13.30	6.10	28.8	30.3	16.5	2.80	35.00/7954	1.72
12BHF3	19.050	12.07	13.50	5.72	28.8	30.3	16.5	2.80	35.00/7954	1.71
12BV	19.050	12.07	11.68	6.10	24.5	26.5	16.0	2.42	36.00/8182	1.43
60HV	19.050	11.91	12.57	5.94	29.2	31.0	18.0	3.25	40.00/9090	2.00
16BH	25.400	15.88	17.02	8.90	37.9	40.9	24.1	4.50/3.5	80.00/18182	-
16BHF3	25.400	15.88	12.70	8.90	31.6	35.0	24.1	4.00/3.1	80.00/18182	2.90
24BH	38.100	25.40	25.40	14.63	58.6	63.4	36.2	7.50/6.0	225.00/51136	9.00

A系列开口销型短节距精密滚子链 Cottered type short pitch precision roller chain (A series)

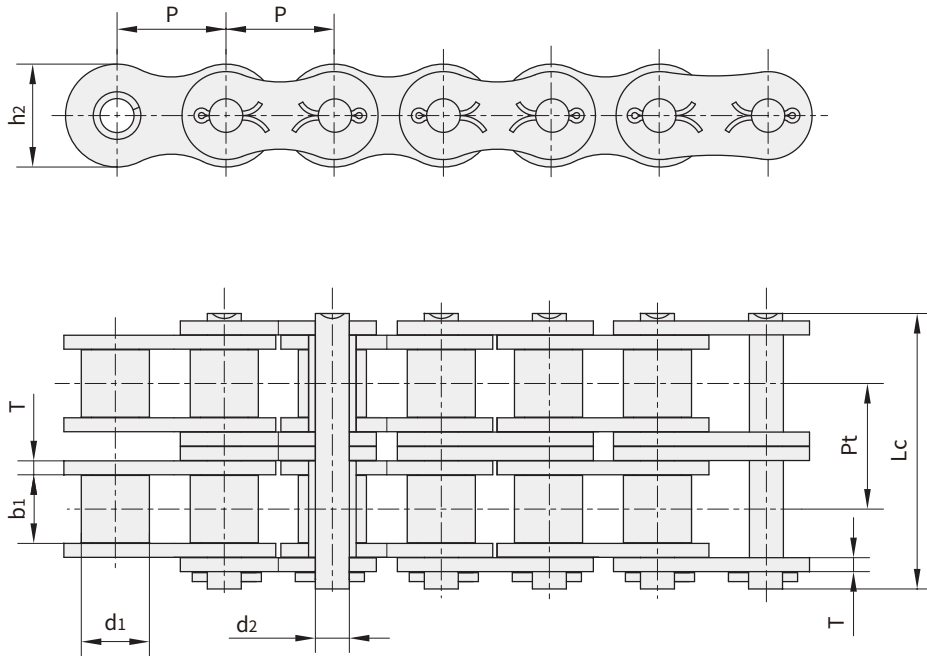
单排滚子链/套筒链 Simplex precision roller chain



链号 DIN/ISO	链号 ANSI	节距 Pitch	滚子直径 Roller diameter	内节内宽 Width between inner plates	销轴直径 Pin diameter	销轴长度 Pin length	内链板高度 Innerplate depth	链板厚度 Plate thickness	极限拉伸载荷 Ultimate tensile strength	平均拉伸载荷 Average tensile strength	每米长重 Weight per meter
DIN/ISO Chain No.	ANSI Chain No.	P	d ₁ max	b ₁ min	d ₂ max	Lc max	h ₂ max	T max	Q _{min}	Q ₀	q
		mm	mm	mm	mm	mm	mm	mm	kN/lbf	kN	kg/m
10A-1	50-1	15.875	10.16	9.40	5.08	23.3	15.09	2.03	22.2/5045	29.4	1.02
12A-1	60-1	19.050	11.91	12.57	5.94	28.3	18.00	2.42	31.8/7227	41.5	1.50
16A-1	80-1	25.400	15.88	15.75	7.92	36.5	24.00	3.25	56.7/12886	69.4	2.60
20A-1	100-1	31.750	19.05	18.90	9.53	44.7	30.00	4.00	88.5/20114	109.2	3.91
24A-1	120-1	38.100	22.23	25.22	11.10	54.3	35.70	4.80	127.0/28864	156.3	5.62
28A-1	140-1	44.450	25.40	25.22	12.70	59.0	41.00	5.60	172.4/39182	212.0	7.50
32A-1	160-1	50.800	28.58	31.55	14.27	69.6	47.80	6.40	226.8/51545	278.9	10.10
36A-1	180-1	57.150	35.71	35.48	17.46	78.6	53.60	7.20	280.2/63682	341.8	13.45
40A-1	200-1	63.500	39.68	37.85	19.85	87.2	60.00	8.00	353.8/80409	431.6	16.15
48A-1	240-1	76.200	47.63	47.35	23.81	103.0	72.39	9.50	510.3/115977	622.5	23.20

A系列开口销型短节距精密滚子链 Cottered type short pitch precision roller chain (A series)

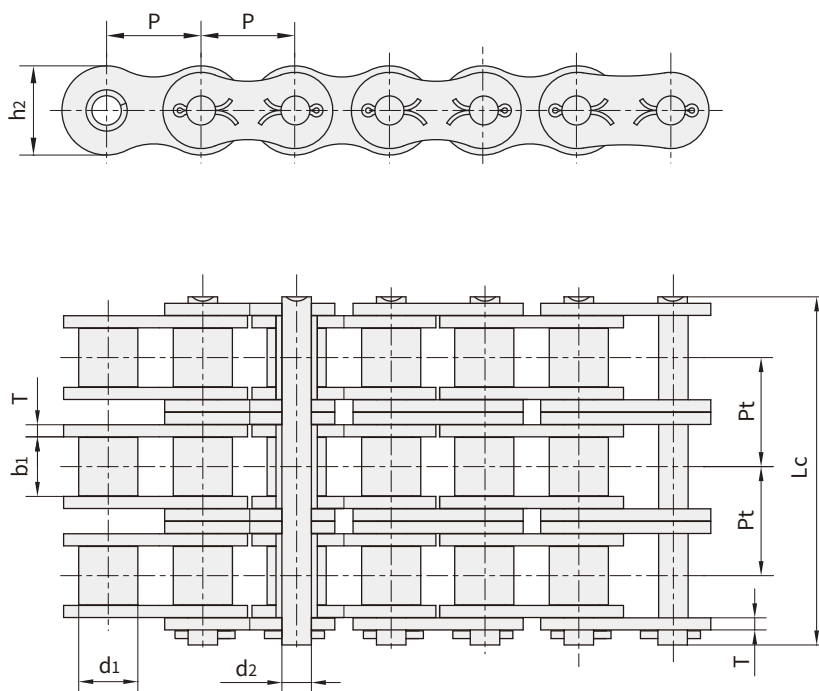
双排滚子链/套筒链 Duplex precision roller chain



链号 DIN/ISO	链号 ANSI	节距 Pitch	滚子直径 Roller diameter	内节内宽 Width between inner plates	销轴直径 Pin diameter	销轴长度 Pin length	内链板高度 Innerplate depth	链板厚度 Plate thickness	排距 Transverse pitch	极限拉伸载荷 Ultimate tensile strength	平均拉伸载荷 Average tensile strength	每米长重 Weight per meter
DIN/ISO Chain No.	ANSI Chain No.	P	d1 max	b1 min	d2 max	Lc max	h2 max	T max	Pt	Q min	Q0	q
		mm	mm	mm	mm	mm	mm	mm	mm	kN/lbf	kN	kg/m
10A-2	50-2	15.875	10.16	9.40	5.08	41.2	15.09	2.03	18.11	44.4/10091	58.1	2.00
12A-2	60-2	19.050	11.91	12.57	5.94	51.1	18.00	2.42	22.78	63.6/14455	82.1	2.92
16A-2	80-2	25.400	15.88	15.75	7.92	65.8	24.00	3.25	29.29	113.4/25773	141.8	5.15
20A-2	100-2	31.750	19.05	18.90	9.53	80.5	30.00	4.00	35.76	177.0/40227	219.4	7.80
24A-2	120-2	38.100	22.23	25.22	11.10	99.7	35.70	4.80	45.44	254.0/57727	314.9	11.70
28A-2	140-2	44.450	25.40	25.22	12.70	107.9	41.00	5.60	48.87	344.8/78364	427.5	15.14
32A-2	160-2	50.800	28.58	31.55	14.27	128.1	47.80	6.40	58.55	453.6/103091	562.4	20.14
36A-2	180-2	57.150	35.71	35.48	17.46	144.4	53.60	7.20	65.84	560.5/127386	695.0	29.22
40A-2	200-2	63.500	39.68	37.85	19.85	158.8	60.00	8.00	71.55	707.6/160818	877.4	32.24
48A-2	240-2	76.200	47.63	47.35	23.81	190.8	72.39	9.50	87.83	1020.6/231955	1255.3	45.23

A系列开口销型短节距精密滚子链 Cottered type short pitch precision roller chain (A series)

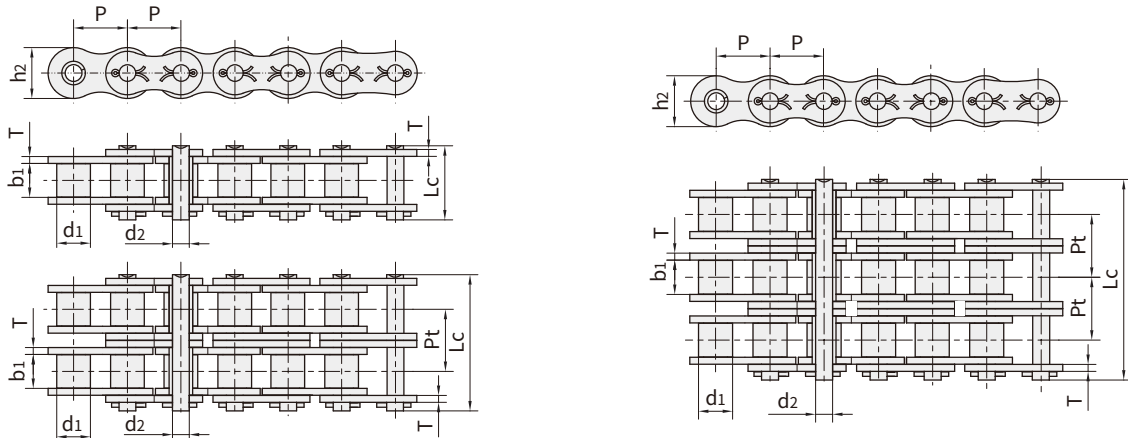
三排滚子链/套筒链 Triplex precision roller chain



链号 DIN/ISO	链号 ANSI	节距 Pitch	滚子直径 Roller diameter	内节内宽 Width between inner plates	销轴直径 Pin diameter	销轴长度 Pin length	内链板高度 Innerplate depth	链板厚度 Plate thickness	排距 Transverse pitch	极限拉伸载荷 Ultimate tensile strength	平均拉伸载荷 Average tensile strength	每米长重 Weight per meter
DIN/ISO Chain No.	ANSI Chain No.	P	d1 max	b1 min	d2 max	Lc max	h2 max	T max	Pt	Q min	Q0	q
		mm	mm	mm	mm	mm	mm	mm	mm	kN/lbf	kN	kg/m
10A-3	50-3	15.875	10.16	9.40	5.08	59.3	15.09	2.03	18.11	66.6/15136	77.8	3.09
12A-3	60-3	19.050	11.91	12.57	5.94	73.9	18.00	2.42	22.78	95.4/21682	111.1	4.54
16A-3	80-3	25.400	15.88	15.75	7.92	95.1	24.00	3.25	29.29	170.1/38659	198.4	7.89
20A-3	100-3	31.750	19.05	18.90	9.53	116.3	30.00	4.00	35.76	265.5/60341	309.6	11.77
24A-3	120-3	38.100	22.23	25.22	11.10	145.2	35.70	4.80	45.44	381.0/86591	437.2	17.53
28A-3	140-3	44.450	25.40	25.22	12.70	156.8	41.00	5.60	48.87	517.2/117545	593.3	22.20
32A-3	160-3	50.800	28.58	31.55	14.27	186.6	47.80	6.40	58.55	680.4/154636	780.6	30.02
36A-3	180-3	57.150	35.71	35.48	17.46	210.2	53.60	7.20	65.84	840.7/191068	983.6	38.22
40A-3	200-3	63.500	39.68	37.85	19.85	230.4	60.00	8.00	71.55	1061.4/241227	1217.8	49.03
48A-3	240-3	76.200	47.63	47.35	23.81	278.6	72.39	9.50	87.83	1530.9/347932	1756.5	71.60

重载系列开口销型滚子链 Heavy duty series cottered type roller chain

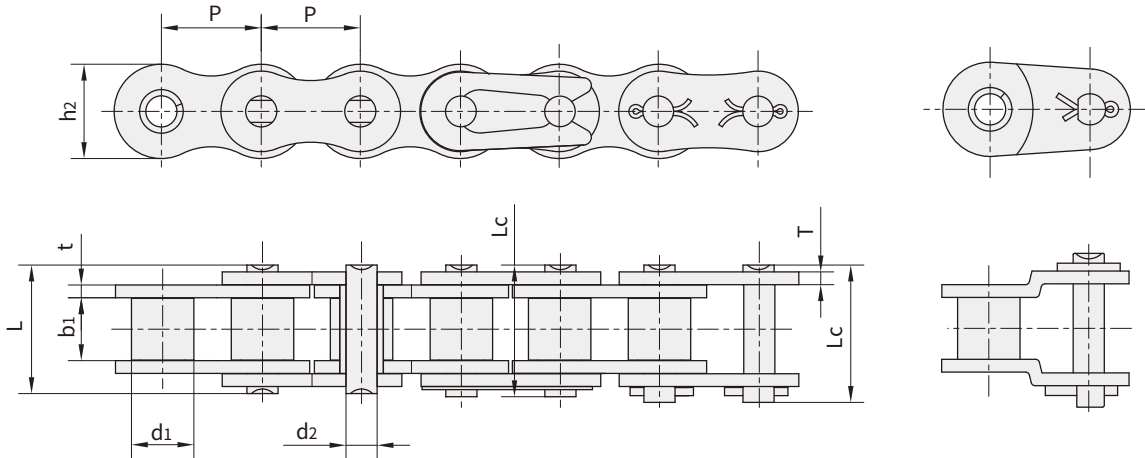
单排、双排、三排 Simplex, Duplex & Triplex strands



链号 ANSI/ISO	节距 Pitch	滚子直径 Roller diameter	内节内宽 Width between inner plates	销轴直径 Pin diameter	销轴长度 Pin length	内链板高度 Innerplate depth	链板厚度 Plate thickness	排距 Transverse pitch	极限拉伸载荷 Ultimate tensile strength	平均拉伸载荷 Average tensile strength	每米长重 Weight per meter
ANSI/ISO Chain No.	P	d1 max	b1 min	d2 max	L max	h2 max	T max	Pt	Q min	Q0	q
	mm	mm	mm	mm	mm	mm	mm	mm	kN/lbf	kN	kg/m
50H-1	15.875	10.16	9.40	5.08	24.4	15.09	2.42	-	22.2/5045	30.2	1.25
60H-1	19.050	11.91	12.57	5.94	31.6	18.00	3.25	-	31.8/7227	42.7	1.87
80H-1	25.400	15.88	15.75	7.92	39.4	24.00	4.00	-	56.7/12886	71.4	3.10
100H-1	31.750	19.05	18.90	9.53	46.9	30.00	4.80	-	88.5/20114	112.4	4.52
120H-1	38.100	22.23	25.22	11.10	57.5	35.70	5.60	-	127.0/28864	160.9	6.60
140H-1	44.450	25.40	25.22	12.70	62.2	41.00	6.40	-	172.4/39182	217.3	8.30
160H-1	50.800	28.58	31.55	14.27	73.0	47.80	7.20	-	226.8/51545	285.8	10.30
180H-1	57.150	35.71	35.48	17.46	81.6	53.60	8.00	-	281.0/63863	341.8	14.83
200H-1	63.500	39.68	37.85	19.85	93.5	60.00	9.50	-	353.8/80409	444.5	19.16
240H-1	76.200	47.63	47.35	23.81	115.9	72.30	12.70	-	510.3/115977	622.5	30.40
60H-2	19.050	11.91	12.57	5.94	57.7	18.00	3.25	26.11	63.6/14454	84.5	3.71
80H-2	25.400	15.88	15.75	7.92	72.0	24.00	4.00	32.59	113.4/25773	145.3	6.15
100H-2	31.750	19.05	18.90	9.53	86.0	30.00	4.80	39.09	177.0/40227	225.9	9.03
120H-2	38.100	22.23	25.22	11.10	106.4	35.70	5.60	48.87	254.0/57727	322.7	13.13
140H-2	44.450	25.40	25.22	12.70	114.4	41.00	6.40	52.20	344.8/78364	437.7	16.60
160H-2	50.800	28.58	31.55	14.27	134.9	47.80	7.20	61.90	453.6/103091	571.6	20.20
180H-2	57.150	35.71	35.48	17.46	150.8	53.60	8.00	69.16	562.0/127726	680.0	29.20
200H-2	63.500	39.68	37.85	19.85	171.8	60.00	9.50	78.31	707.6/160818	894.9	38.11
240H-2	76.200	47.63	47.35	23.81	217.3	72.30	12.70	101.22	1000.0/227270	1200.0	60.50
60H-3	19.050	11.91	12.57	5.94	83.8	18.00	3.25	26.11	95.4/21682	113.9	5.54
80H-3	25.400	15.88	15.75	7.92	104.6	24.00	4.00	32.59	170.1/38659	203.5	9.42
100H-3	31.750	19.05	18.90	9.53	125.1	30.00	4.80	39.09	265.5/60341	314.8	12.96
120H-3	38.100	22.23	25.22	11.10	155.2	35.70	5.60	48.87	381.0/86591	444.7	19.64
140H-3	44.450	25.40	25.22	12.70	166.6	41.00	6.40	52.20	517.2/117545	598.4	24.90
160H-3	50.800	28.58	31.55	14.27	196.8	47.80	7.20	61.90	680.4/154636	787.3	30.10
180H-3	57.150	35.71	35.48	17.46	220.0	53.60	8.00	69.16	843.0/191589	1011.0	44.10
200H-3	63.500	39.68	37.85	19.85	250.1	60.00	9.50	78.31	1061.4/241227	1228.2	57.06
240H-3	76.200	47.63	47.35	23.81	318.3	72.30	12.70	101.22	1500.0/340905	1650.0	91.00

SH系列高强度短节距重载滚子链 SH series high strength heavy duty short pitch roller chain

SH系列高强度短节距重载滚子链 SH series high strength heavy duty short pitch roller chain

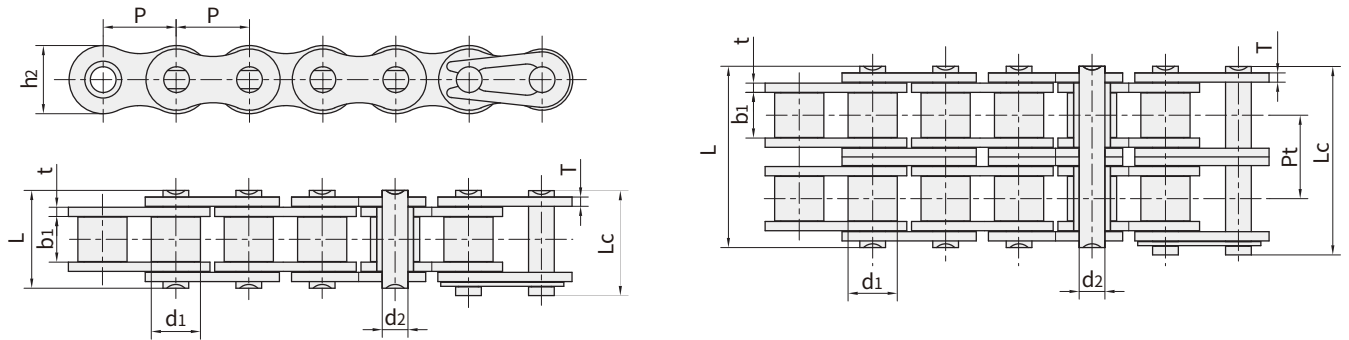


链号 Bison	节距 Pitch	滚子直径 Roller diameter	内节内宽 Width between inner plates	销轴直径 Pin diameter	销轴长度 Pin length		内链板高度 Innerplate depth	链板厚度 Plate thickness	极限拉伸载荷 Ultimate tensile strength	平均拉伸载荷 Average tensile strength	每米长重 Weight per meter
Bison Chain No.	P	d ₁ max	b ₁ min	d ₂ max	L max	Lc max	h ₂ max	T max	Q min	Q ₀	q
	mm	mm	mm	mm	mm	mm	mm	mm	kN/lbf	kN	kg/m
*25SH	6.350	3.30	3.18	2.31	9.0	-	6.00	1.04	5.09/1157	5.6	0.11
*35SH	9.525	5.08	4.77	3.58	13.3	14.3	9.00	1.50	11.00/2500	13.6	0.41
40SH	12.700	7.95	7.85	3.96	18.8	19.9	12.00	2.03	22.40/5091	24.8	0.82
50SH	15.875	10.16	9.40	5.08	22.1	23.4	15.09	2.42	30.40/6909	36.2	1.25
60SH	19.050	11.91	12.57	5.94	29.2	31.6	18.00	3.25	44.10/10023	50.4	1.87
80SH	25.400	15.88	15.75	7.92	36.2	37.7	24.00	4.00	88.20/20045	93.0	3.10
100SH	31.750	19.05	18.90	9.53	43.6	46.9	30.00	4.80	116.60/26500	129.1	4.52
120SH	38.100	22.23	25.22	11.10	53.5	57.5	35.70	5.60	158.20/35954	175.3	6.60
140SH	44.450	25.40	25.22	12.70	57.6	62.2	41.00	6.40	206.00/46818	266.5	8.30
160SH	50.800	28.58	31.55	14.27	68.2	73.0	47.80	7.20	274.00/62273	293.0	10.30
200SH	63.500	39.68	37.85	19.85	86.6	93.5	60.00	9.50	506.10/115023	562.3	19.16
#5H63	19.050	14.29	9.55	7.30	27.9	-	19.60	4.15/3.25	65.70/14932	73.0	2.62
#C70SH	22.225	15.60	14.30	7.94	36.6	-	22.60	4.8/4.0	88.25/20056	98.0	3.75
955	28.575	21.30	17.46	11.10	46.8	-	30.60	6.4/5.6	142.10/35635	156.8	7.95

- *套筒链: 表中滚子直径d₁为套筒直径
- *Bush chain: d₁ in the table indicates the external diameter of the bush
- #直链板
- # Straight side plates
- SH系列滚子链通过销轴整体淬硬其极限拉伸载荷比A系列标准滚子链增加约25% - 35%并能提供较高的抗震动负载, 参数尺寸与重载系列滚子链相同
- SH series roller chains have a greater ultimate tensile strength (about an additional 25% - 35%) over A N S I standard roller chains by using through hardened pins, these chains also provide a greater shock load resistance. The dimensions of the chain are identical to A N S I heavy series standard roller chain.

自润滑链 Self-lubrication roller chain

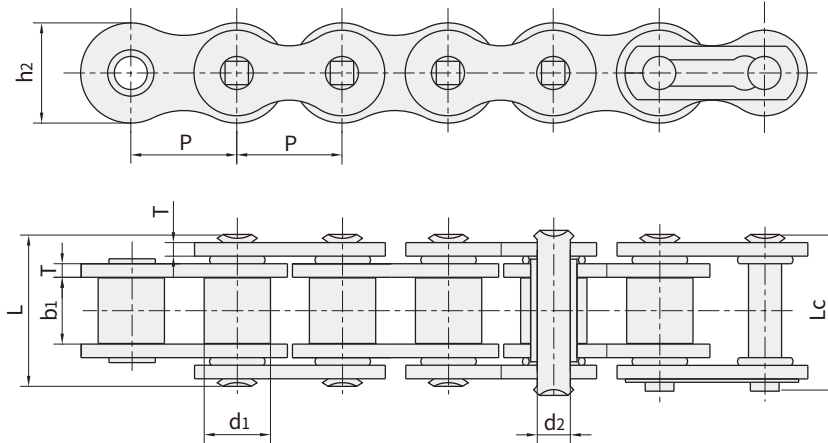
自润滑链 Self-lubrication roller chain



链号 Bison	节距 Pitch	滚子直径 Roller diameter	内节内宽 Width between inner plates	销轴直径 Pin diameter	销轴长度 Pin length		内链板高度 Innerplate depth	链板厚度 Plate thickness	极限拉伸载荷 Ultimate tensile strength	平均拉伸载荷 Average tensile strength	每米长重 Weight per meter
Bison Chain No.	P	d ₁ max	b ₁ min	d ₂ max	L max	L _c max	h ₂ max	T max	Q _{min}	Q ₀	q
	mm	mm	mm	mm	mm	mm	mm	mm	kN/lbf	kN	kg/m
08BSLR	12.700	8.51	7.75	4.45	16.70	18.2	11.80	1.60	-	18.0/4091	0.69
10BSLR	15.875	10.16	9.65	5.08	19.50	20.9	14.70	1.70	-	22.4/5091	0.93
12BSLR	19.050	12.07	11.68	5.72	22.50	24.2	16.00	1.85	-	29.0/6591	1.15
16BSLR	25.400	15.88	17.02	8.28	36.10	37.4	21.00	4.15/3.1	-	60.0/13636	2.71
40SLR	12.700	7.95	7.85	3.96	16.60	17.8	12.00	1.50	-	14.1/3205	0.62
50SLR	15.875	10.16	9.40	5.08	20.70	22.2	15.09	2.03	-	22.0/5045	1.02
60SLR	19.050	11.91	12.57	5.94	27.50	29.3	18.00	3.25/2.42	-	34.2/7772	1.65
60HSLR	19.050	11.91	12.57	5.94	29.20	31.0	18.00	3.25	-	31.8/7227	1.95
80SLR	25.400	15.88	15.75	7.92	32.70	35.0	24.00	3.25	-	56.7/12886	2.60
80HSLR	25.400	15.88	15.75	7.92	36.20	38.9	24.00	4.00	-	56.7/12886	3.03
100SLR	31.750	19.05	18.90	9.53	40.40	44.7	30.00	4.00	-	86.7/19699	3.94
08BSLR-2	12.700	8.51	7.75	4.45	31.20	32.2	11.80	1.60	13.92	32.0/7273	1.34
10BSLR-2	15.875	10.16	9.65	5.08	36.10	37.5	14.70	1.70	16.59	44.5/10114	1.84
12BSLR-2	19.050	12.07	11.68	5.72	42.00	43.6	16.00	1.85	19.46	57.8/13136	2.31
16BSLR-2	25.400	15.88	17.02	8.28	68.00	69.3	21.00	4.15/3.1	31.88	106.0/24091	5.42
40SLR-2	12.700	7.95	7.85	3.96	31.00	32.2	12.00	1.50	14.38	28.2/6409	1.12
50SLR-2	15.875	10.16	9.40	5.08	38.90	40.4	15.09	2.03	18.11	44.4/10091	2.00
60SLR-2	19.050	11.91	12.57	5.94	50.30	52.1	18.00	2.42	22.78	68.4/15544	3.21
80SLR-2	25.400	15.88	15.75	7.92	62.70	64.3	24.00	3.25	29.29	113.4/25773	5.15
100SLR-2	31.750	19.05	18.90	9.53	76.40	80.5	30.00	4.00	35.76	173.4/39399	7.89

O型密封圈链 O-Ring chain

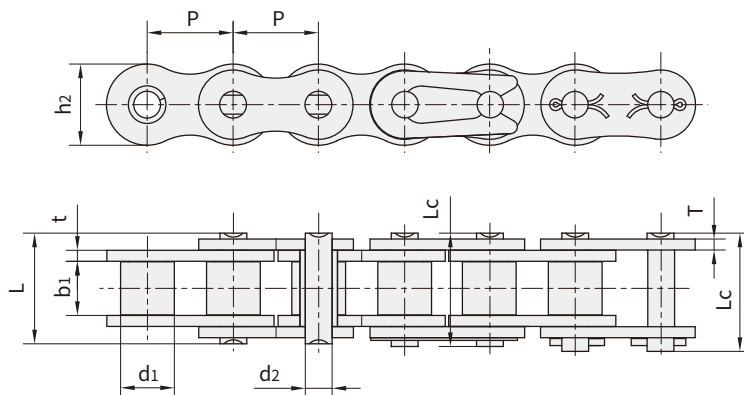
O型密封圈链 O-Ring chain



链号 Bison	节距 Pitch	滚子直径 Roller diameter	内节内宽 Width between inner plates	销轴直径 Pin diameter	销轴长度 Pin length		内链板高度 Innerplate depth	链板厚度 Plate thickness	极限拉伸载荷 Ultimate tensile strength	平均拉伸载荷 Average tensile strength	每米长重 Weight per meter
Bison Chain No.	P	d ₁ max	b ₁ min	d ₂ max	L max	L _c max	h ₂ max	T max	Q _{min}	Q ₀	q
	mm	mm	mm	mm	mm	mm	mm	mm	kN/lbf	kN	kg/m
40 OR	12.700	7.95	7.85	3.96	18.3	19.6	12.00	1.50	14.1/3205	17.50	0.67
50 OR	15.875	10.16	9.40	5.08	23.1	24.8	15.09	2.03	22.2/5045	29.40	1.19
60 OR	19.050	11.91	12.57	5.94	28.5	30.4	18.00	2.42	31.8/7227	41.50	1.62
60HT OR	19.050	11.91	12.57	5.94	31.7	33.2	18.00	3.25	55/12500	58.00	1.96
80 OR	25.400	15.88	15.75	7.92	35.6	37.3	24.00	3.25	56.7/12886	69.40	2.70
100 OR	31.750	19.05	18.95	9.53	43.3	47.0	30.00	4.00	88.5/20114	109.20	3.91
120 OR	38.100	22.23	25.22	11.11	54.0	57.5	35.70	4.80	127.0/28864	156.30	6.34
08B OR	12.700	8.51	7.75	4.45	18.8	19.9	11.80	1.60	18.0/4091	19.40	0.74

镀锌链 Corrosion resistant / Zinc-plated chain

镀锌链 Corrosion resistant / Zinc-plated chain



链号 Bison	节距 Pitch	滚子直径 Roller diameter	内节内宽 Width between inner plates	销轴直径 Pin diameter	销轴长度 Pin length		内链板高度 Innerplate depth	链板厚度 Plate thickness	极限拉伸载荷 Ultimate tensile strength	每米长重 Weight per meter
Bison Chain No.	P	d1 max	b1 min	d2 max	L max	Lc max	h2 max	T max	Q min	q
	mm	mm	mm	mm	mm	mm	mm	mm	kN/lbf	kg/m
*25ZP	6.350	3.30	3.18	2.31	7.90	8.40	6.00	0.80	3.50/795	0.15
*35ZP	9.525	5.08	4.77	3.58	12.40	13.17	9.00	1.30	7.90/1795	0.33
41ZP	12.700	7.77	6.25	3.58	13.75	15.00	9.91	1.30	6.67/1516	0.41
40ZP	12.700	7.95	7.85	3.96	16.60	17.80	12.00	1.50	14.10/3205	0.62
50ZP	15.875	10.16	9.40	5.08	20.70	22.20	15.09	2.03	22.20/5045	1.02
60ZP	19.050	11.91	12.57	5.94	25.90	27.70	18.00	2.42	31.80/7227	1.50
80ZP	25.400	15.88	15.75	7.92	32.70	35.00	24.00	3.25	56.70/12886	2.60
100ZP	31.750	19.05	18.90	9.53	40.40	44.70	30.00	4.00	88.50/20114	3.91
120ZP	38.100	22.23	25.22	11.10	50.30	54.30	35.70	4.80	127.00/28864	5.62
140ZP	44.450	25.40	25.22	12.70	54.40	59.00	41.00	5.60	172.40/39182	7.50
160ZP	50.800	28.58	31.55	14.27	64.80	69.60	47.80	6.40	226.80/51545	10.10
04BZP	6.000	4.00	2.80	1.85	6.80	7.80	5.00	0.60	3.00/682	0.11
05BZP	8.000	5.00	3.00	2.31	8.20	8.90	7.10	0.80	5.00/1136	0.20
#06BZP	9.525	6.35	5.72	3.28	13.15	14.10	8.20	1.30	9.00/2045	0.41
08BZP	12.700	8.51	7.75	4.45	16.70	18.20	11.80	1.60	18.00/4091	0.69
10BZP	15.875	10.16	9.65	5.08	19.50	20.90	14.70	1.70	22.40/5091	0.93
12BZP	19.050	12.07	11.68	5.72	22.50	24.20	16.00	1.85	29.00/6591	1.15
16BZP	25.400	15.88	17.02	8.28	36.10	37.40	21.00	4.15/3.1	60.00/13636	2.71
20BZP	31.750	19.05	19.56	10.19	41.30	45.00	26.40	4.5/3.5	95.00/21591	3.70
24BZP	38.100	25.40	25.40	14.63	53.40	57.80	33.20	6.0/4.8	160.0/36364	7.10
28BZP	44.450	27.94	30.99	15.90	65.10	69.50	36.70	7.5/6.0	200.0/45455	8.50
32BZP	50.800	29.21	30.99	17.81	66.00	71.00	42.00	7.0/6.0	250.0/56818	10.25

■*套筒链：表中滚子直径d1为套筒直径

■*Bush chain: d1 in the table indicates the external diameter of the bush

■#直链板

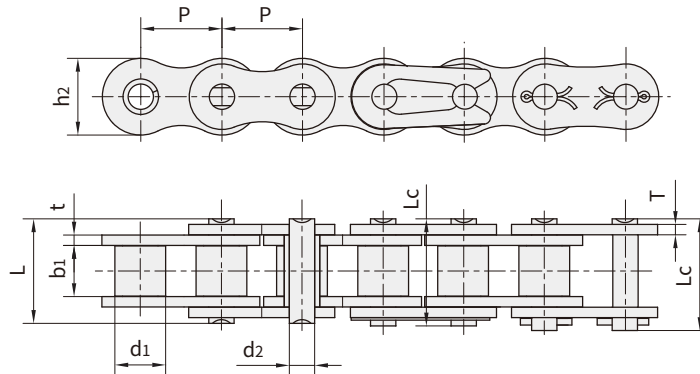
■#Straight side plates

■注意：上述规格的双排链、双节距输送链系列依照要求也适合镀锌

■ Note: Duplex & Triplex zinc plated chains are available in all sizes. Double pitch zinc plated conveyor chains are available upon request.

镀镍链 Corrosion resistant/Nickel-plated chain

镀镍链条适合在室外雨水侵蚀等场合 Nickel-plated chain are suitable for outdoor conditions such as exposure to rain etc.



链号 Bison	节距 Pitch	滚子直径 Roller diameter	内节内宽 Width between inner plates	销轴直径 Pin diameter	销轴长度 Pin length		内链板高度 Innerplate depth	链板厚度 Plate thickness	极限拉伸载荷 Ultimate tensile strength	每米长重 Weight per meter
Bison Chain No.	P	d1 max	b1 min	d2 max	L max	Lc max	h2 max	T max	Q min	q
	mm	mm	mm	mm	mm	mm	mm	mm	kN/lbf	kg/m
*25NP	6.350	3.30	3.18	2.31	7.90	8.40	6.00	0.80	3.50/795	0.15
*35NP	9.525	5.08	4.77	3.58	12.40	13.17	9.00	1.30	7.90/1795	0.33
41NP	12.700	7.77	6.25	3.58	13.75	15.00	9.91	1.30	6.67/1516	0.41
40NP	12.700	7.95	7.85	3.96	16.60	17.80	12.00	1.50	14.10/3205	0.62
50NP	15.875	10.16	9.40	5.08	20.70	22.20	15.09	2.03	22.20/5045	1.02
60NP	19.050	11.91	12.57	5.94	25.90	27.70	18.00	2.42	31.80/7227	1.50
80NP	25.400	15.88	15.75	7.92	32.70	35.00	24.00	3.25	56.70/12886	2.60
100NP	31.750	19.05	18.90	9.53	40.40	44.70	30.00	4.00	88.50/20114	3.91
120NP	38.100	22.23	25.22	11.10	50.30	54.30	35.70	4.80	127.00/28864	5.62
140NP	44.450	25.40	25.22	12.70	54.40	59.00	41.00	5.60	172.40/39182	7.50
160NP	50.800	28.58	31.55	14.27	64.80	69.60	47.80	6.40	226.80/51545	10.10
04BNP	6.000	4.00	2.80	1.85	6.80	7.80	5.00	0.60	3.00/682	0.11
05BNP	8.000	5.00	3.00	2.31	8.20	8.90	7.10	0.80	5.00/1136	0.20
#06BNP	9.525	6.35	5.72	3.28	13.15	14.10	8.20	1.30	9.00/2045	0.41
08BNP	12.700	8.51	7.75	4.45	16.70	18.20	11.80	1.60	18.00/4091	0.69
10BNP	15.875	10.16	9.65	5.08	19.50	20.90	14.70	1.70	22.40/5091	0.93
12BNP	19.050	12.07	11.68	5.72	22.50	24.20	16.00	1.85	29.00/6591	1.15
16BNP	25.400	15.88	17.02	8.28	36.10	37.40	21.00	4.15/3.1	60.00/13636	2.71
20BNP	31.750	19.05	19.56	10.19	41.30	45.00	26.40	4.5/3.5	95.00/21591	3.70
24BNP	38.100	25.40	25.40	14.63	53.40	57.80	33.20	6.0/4.8	160.0/36364	7.10
28BNP	44.450	27.94	30.99	15.90	65.10	69.50	36.70	7.5/6.0	200.00/45455	8.50
32BNP	50.800	29.21	30.99	17.81	66.00	71.00	42.00	7.0/6.0	250.00/56818	10.25

■*套筒链：表中滚子直径d1为套筒直径

■*Bush chain: d1 in the table indicates the external diameter of the bush

■#直链板

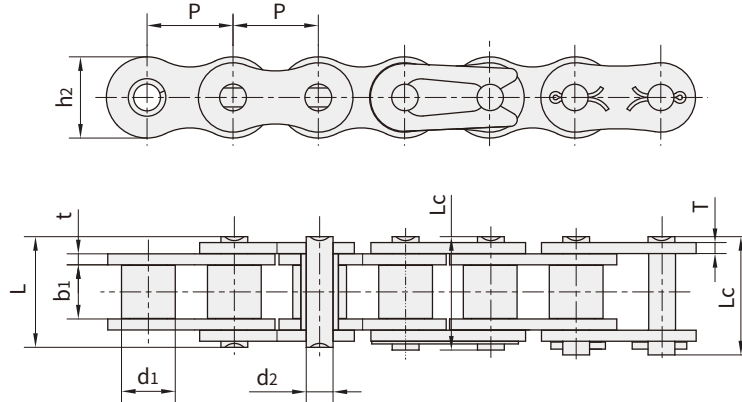
■#Straight side plates

■注意：上述规格的双排链、双节距输送链系列依照要求也适合镀达克罗

■Note: Duplex & Triplex zinc plated chains are available in all sizes. Double pitch zinc plated conveyor chains are available upon request.

镀达克罗链 Corrosion resistant / Dacromet-plated chain

达克罗链条适合于有腐蚀性的场合 Dacromet-plated chain are suitable for corrosive conditions



链号 Bison	节距 Pitch	滚子直径 Roller diameter	内节内宽 Width between inner plates	销轴直径 Pin diameter	销轴长度 Pin length		内链板高度 Innerplate depth	链板厚度 Plate thickness	极限拉伸载荷 Ultimate tensile strength	每米长重 Weight per meter
Bison Chain No.	P	d ₁ max	b ₁ min	d ₂ max	L max	Lc max	h ₂ max	T max	Q min	q
	mm	mm	mm	mm	mm	mm	mm	mm	kN/lbf	kg/m
*25DR	6.350	3.30	3.18	2.31	7.90	8.40	6.00	0.80	3.50/795	0.15
*35DR	9.525	5.08	4.77	3.58	12.40	13.17	9.00	1.30	7.90/1795	0.33
41DR	12.700	7.77	6.25	3.58	13.75	15.00	9.91	1.30	6.67/1516	0.41
40DR	12.700	7.95	7.85	3.96	16.60	17.80	12.00	1.50	14.10/3205	0.62
50DR	15.875	10.16	9.40	5.08	20.70	22.20	15.09	2.03	22.20/5045	1.02
60DR	19.050	11.91	12.57	5.94	25.90	27.70	18.00	2.42	31.80/7227	1.50
80DR	25.400	15.88	15.75	7.92	32.70	35.00	24.00	3.25	56.70/12886	2.60
100DR	31.750	19.05	18.90	9.53	40.40	44.70	30.00	4.00	88.50/20114	3.91
120DR	38.100	22.23	25.22	11.10	50.30	54.30	35.70	4.80	127.00/28864	5.62
140DR	44.450	25.40	25.22	12.70	54.40	59.00	41.00	5.60	172.40/39182	7.50
160DR	50.800	28.58	31.55	14.27	64.80	69.60	47.80	6.40	226.80/51545	10.10
04BDR	6.000	4.00	2.80	1.85	6.80	7.80	5.00	0.60	3.00/682	0.11
05BDR	8.000	5.00	3.00	2.31	8.20	8.90	7.10	0.80	5.00/1136	0.20
#06BDR	9.525	6.35	5.72	3.28	13.15	14.10	8.20	1.30	9.00/2045	0.41
08BDR	12.700	8.51	7.75	4.45	16.70	18.20	11.80	1.60	18.00/4091	0.69
10BDR	15.875	10.16	9.65	5.08	19.50	20.90	14.70	1.70	22.40/5091	0.93
12BDR	19.050	12.07	11.68	5.72	22.50	24.20	16.00	1.85	29.00/6591	1.15
16BDR	25.400	15.88	17.02	8.28	36.10	37.40	21.00	4.15/3.1	60.00/13636	2.71
20BDR	31.750	19.05	19.56	10.19	41.30	45.00	26.40	4.5/3.5	95.00/21591	3.70
24BDR	38.100	25.40	25.40	14.63	53.40	57.80	33.20	6.0/4.8	160.00/36364	7.10
28BDR	44.450	27.94	30.99	15.90	65.10	69.50	36.70	7.5/6.0	200.00/45455	8.50
32BDR	50.800	29.21	30.99	17.81	66.00	71.00	42.00	7.0/6.0	250.00/56818	10.25

■*套筒链：表中滚子直径d₁为套筒直径

■*Bush chain: d₁ in the table indicates the external diameter of the bush

■#直链板

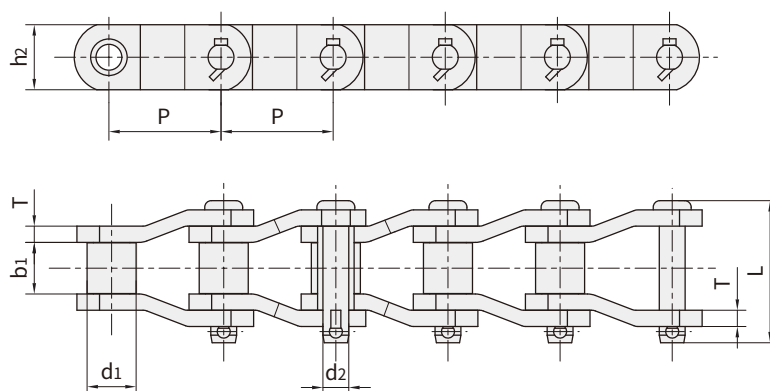
■#Straight side plates

■注意：上述规格的双排链、双节距输送链系列依照要求也适合镀锌

■Note: Duplex & Triplex zinc plated chains are available in all sizes. Double pitch zinc plated conveyor chains are available upon request.

重载弯板传动链 Heavy duty cranked-link transmission chain

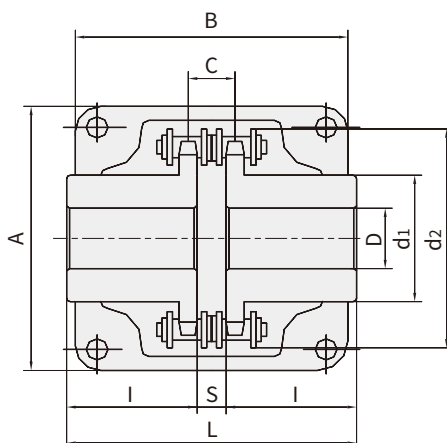
重载弯板传动链 Heavy duty cranked-link transmission chain



链号 Bison	节距 Pitch	滚子直径 Roller diameter	内节内宽 Width between inner plates	销轴直径 Pin diameter	销轴长度 Pin length	链板高度 Plate depth	链板厚度 Plate thickness	极限拉伸载荷 Ultimate tensile strength	平均拉伸载荷 Average tensile strength	每米长重 Weight per meter
Bison Chain No.	P	d ₁ max	b ₁ min	d ₂ max	L max	h ₂ max	T max	Q min	Q ₀	q
	mm	mm	mm	mm	mm	mm	mm	kN/lbf	kN	kg/m
2010	63.50	31.75	38.10	15.90	89.0	47.80	7.9	250.00/56818	275.0	13.53
2512	77.90	41.28	39.60	19.05	100.0	57.00	9.7	340.00/77272	367.2	18.40
3214	103.200	44.45	48.00	22.00	123.50	55.00	13.0	476.0/108180	514.0	23.60
3315	103.450	45.24	49.30	23.85	130.00	63.50	14.2	550.0/125000	594.0	27.71
3618	114.300	57.15	52.30	27.97	138.00	79.20	14.2	760.0/172727	820.8	41.20
4020	127.000	63.50	69.90	31.78	165.7	88.90	15.7	987.0/224300	1069.2	48.60
RO1205	127.000	63.50	65.00	31.75	147.6	82.50	14.2	872.0/198177	955.0	42.93
2184	152.400	76.20	35.00	22.20	96.0	51.00	9.5	330.0/75000	378.0	18.17
4824	152.400	76.20	74.60	38.10	186.0	100.00	20.0	1600.0/363632	1700.0	69.80
6060	152.400	88.90	101.00	47.63	228.7	114.30	22.0	1700.0/386359	1955.0	97.59
5628	177.800	88.90	82.60	44.45	210.0	133.00	22.0	1890.0/429540	2173.0	99.50

链条联轴器 Chain couplings

链条联轴器 Chain couplings



链条联轴器 型号 Chain coupling No.	链号 Bison Bison Chain No.	孔径D Bore Dia		尺寸 Pin diameter						惯量 Inertia ×10 ⁻³	重量 Approx weight kg	罩壳 Casing		重量 Approx weight kg	
		Min	Max	L	I	S	d ₁	d ₂	C			尺寸 Dimension			
		mm	mm	mm	mm	mm	mm	mm	mm	mm	mm	mm	mm	mm	kg
3012	06B-2X12	12	16	64.8	29.8	5.2	25	45	10.2	0.233	0.4	69	63	0.3	
4012	40-2X12	12	22	79.4	36.0	7.4	35	61	14.4	1.020	0.8	77	72	0.3	
4014	40-2X14	12	28	79.4	36.0	7.4	43	69	14.4	1.924	1.1	84	75	0.4	
4016	40-2X16	14	32	87.4	40.0	7.4	50	77	14.4	3.285	1.4	92	75	0.4	
5014	50-2X14	16	35	99.7	45.0	9.7	53	86	18.1	6.010	2.2	101	85	0.5	
5016	50-2X16	16	40	99.7	45.0	9.7	60	96	18.1	9.720	2.7	111	85	0.6	
5018	50-2X18	16	45	99.7	45.0	9.7	70	106	18.1	15.420	3.8	122	85	0.8	
6018	60-2X18	20	56	123.5	56.0	11.5	85	128	22.8	40.210	6.2	142	106	1.2	
6020	60-2X20	20	60	123.5	56.0	11.5	98	140	22.8	62.870	7.8	158	105	1.6	
6022	60-2X22	20	71	123.5	56.0	11.5	110	152	22.8	93.450	10.4	168	117	1.8	
8018	80-2X18	20	80	141.2	63.0	15.2	110	170	29.3	142.030	12.7	190	129	2.5	
8020	80-2X20	20	90	145.2	65.0	15.2	120	186	29.3	204.900	16.0	210	137	2.9	
8022	80-2X22	20	100	157.2	71.0	15.2	140	202	29.3	341.170	20.2	226	137	3.6	
10020	100-2X20	25	110	178.8	80.0	18.8	160	233	35.8	646.290	33.0	281	153	4.6	
12018	120-2X18	35	125	202.7	90.0	22.7	170	256	45.4	1075.710	47.0	307	181	6.2	
12022	120-2X22	35	140	222.7	100.0	22.7	210	304	45.4	2454.500	72.0	357	181	8.0	

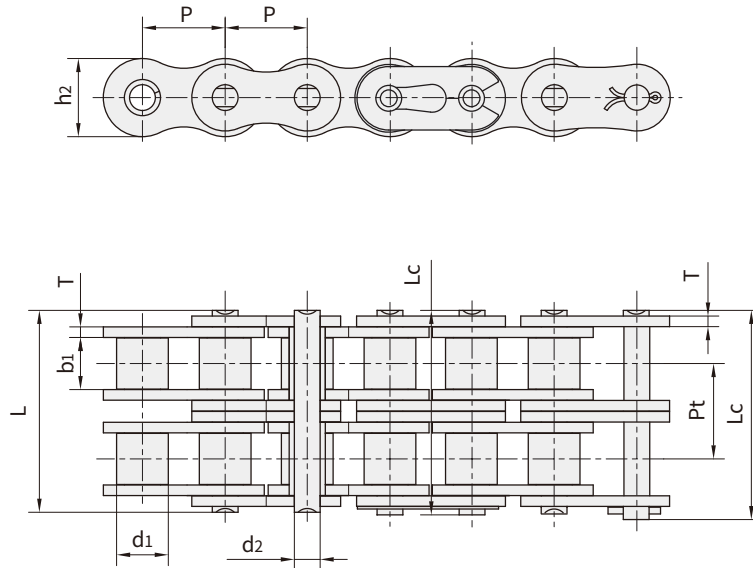
■ 链条联轴器，是由一段双排链条和一对联轴器链轮组成，通过链条来联接和拆卸。

该类链条联轴器结构紧凑、扭矩传递大、可靠性强、安全、而且外形美观大方、安装简单、易对中。链条联轴器适合于很多场合的联接使用。

■ Chain coupling is composed of a duplex roller chain and a pair of coupling sprockets, inside a sealed casing. Bison coupling offers long durability, simple installation and easy alignment. It is suitable for a wide range of coupling applications.

联轴器链 Coupling chain

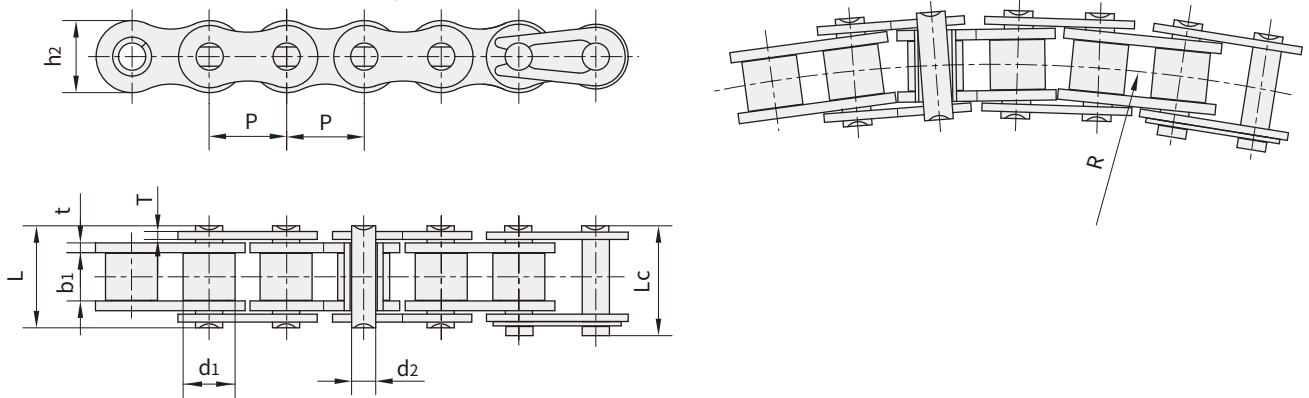
联轴器链 Coupling chain



链号 Bison	节距 Pitch	滚子直径 Roller diameter	内节内宽 Width between inner plates	销轴直径 Pin diameter	销轴长度 Pin length		内链板高度 Innerplate depth	链板厚度 Plate thickness	排距 Transverse pitch	极限拉伸载荷 Ultimate tensile strength	平均拉伸载荷 Average tensile strength	每米长重 Weight per meter
Bison Chain No.	P	d ₁ max	b ₁ min	d ₂ max	L max	L _c max	h ₂ max	T max	P _t	Q _{min}	Q ₀	q
	mm	mm	mm	mm	mm	mm	mm	mm	mm	kN/lbf	kN	kg/m
4012	12.700	7.95	7.85	3.96	31.0	32.2	12.00	1.50	14.38	28.2/6409	35.9	0.16
4014	12.700	7.95	7.85	3.96	31.0	32.2	12.00	1.50	14.38	28.2/6409	35.9	0.19
4016	12.700	7.95	7.85	3.96	31.0	32.2	12.00	1.50	14.38	28.2/6409	35.9	0.21
5014	15.875	10.16	9.40	5.08	38.9	40.4	15.09	2.03	18.11	44.4/10091	58.1	0.49
5016	15.875	10.16	9.40	5.08	38.9	40.4	15.09	2.03	18.11	44.4/10091	58.1	0.56
5018	15.875	10.16	9.40	5.08	38.9	40.4	15.09	2.03	18.11	44.4/10091	58.1	0.63
6018	19.050	11.91	12.57	5.94	48.8	50.5	18.00	2.42	22.78	63.6/14455	82.1	1.00
6020	19.050	11.91	12.57	5.94	48.8	50.5	18.00	2.42	22.78	63.6/14455	82.1	1.11
6022	19.050	11.91	12.57	5.94	48.8	50.5	18.00	2.42	22.78	63.6/14455	82.1	1.22
8018	25.400	15.88	15.75	7.92	62.7	64.3	24.00	3.25	29.29	113.4/25773	141.8	2.35
8020	25.400	15.88	15.75	7.92	62.7	64.3	24.00	3.25	29.29	113.4/25773	141.8	2.62
8022	25.400	15.88	15.75	7.92	62.7	64.3	24.00	3.25	29.29	113.4/25773	141.8	2.88
10018	31.750	19.05	18.90	9.53	76.4	80.5	30.00	4.00	35.76	177.0/40227	219.4	4.95
10022	31.750	19.05	18.90	9.53	76.4	80.5	30.00	4.00	35.76	177.0/40227	219.4	4.95
12018	38.100	22.23	25.22	11.10	95.8	99.7	35.70	4.80	45.44	254.0/57727	314.9	8.14
12022	38.100	22.23	25.22	11.10	95.8	99.7	35.70	4.80	45.44	254.0/57727	314.9	8.14

侧弯链 Side bow chain

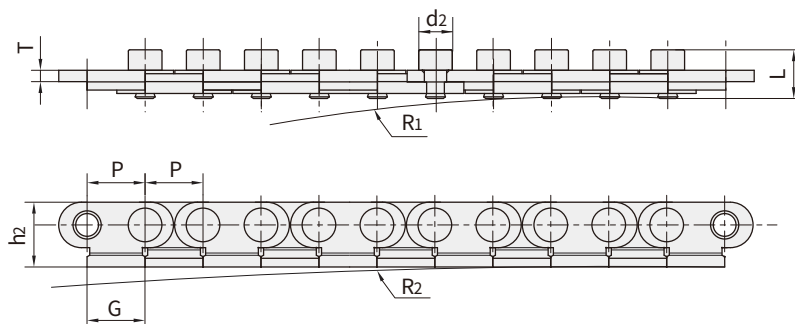
侧弯链 Side bow chain



链号 Bison	节距 Pitch	滚子直径 Roller diameter	内节内宽 Width between inner plates	销轴直径 Pin diameter	销轴长度 Pin length		内链板高度 Innerplate depth	链板厚度 Plate thickness	侧弯半径 Side bow radius	极限拉伸载荷 Ultimate tensile strength	平均拉伸载荷 Average tensile strength	每米长重 Weight per meter
Bison Chain No.	P	d ₁ max	b ₁ min	d ₂ max	L max	Lc max	h ₂ max	T max	R	Q _{min}	Q ₀	q
	mm	mm	mm	mm	mm	mm	mm	mm	mm	kN/lbf	kN	kg/m
40SB	12.700	7.95	7.85	3.96	16.9	18.1	11.7	1.50	350	13.8/3136	15.20	0.80
43SB	12.700	7.95	7.85	3.45	18.3	19.5	11.7	1.50	305	12.0/2727	13.20	0.64
50SB	15.875	10.16	9.40	4.37	20.7	22.7	14.9	2.03	400	20.6/4681	22.70	1.09
60SB	19.050	11.91	12.57	5.34	26.6	28.4	18.0	2.42	500	15.7/3568	17.30	1.54
80SB	25.400	15.88	15.75	7.19	34.0	37.3	24.0	3.25	711	40.9/9201	42.00	2.60
08BSB	12.700	8.51	7.75	3.97	17.4	18.7	11.8	1.60	400	14.0/3182	15.40	0.70
10BSB	15.875	10.16	9.65	4.50	20.1	21.5	14.7	1.70	400	15.6/3545	17.20	0.93
12BSB	19.050	12.07	11.68	5.12	23.1	24.8	16.0	1.85	500	20.5/4658	22.60	1.16
16BSB	25.400	15.88	17.22	7.90	36.5	39.7	21.0	3.7/3.0	500	55.6/12635	64.00	2.53

推窗用防弯链 Anti-sidebow chain for pushing window

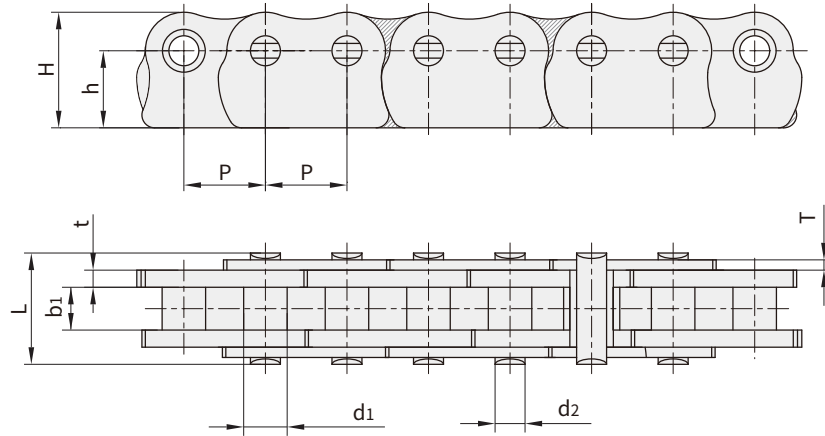
推窗用防弯链 Anti-sidebow chain for pushing window



链号 Bison	节距 Pitch	销轴直径 Pin diameter	销轴长度 Pin length	链板尺寸 Plate dimension			侧弯半径 Side bow radius	
				h_2 max	G max	T max	R1	R2
Bison Chain No.	P	d_2 max	L max	h_2 max	G max	T max	R1	R2
	mm	mm	mm	mm	mm	mm	mm	mm
P12.75SB	12.75	7.4	10.65	14.25	12.8	2.5	500~800	1000
P12.75SBF1	12.75	7.4	11.00	14.25	12.8	2.5	500~800	1000

推窗用防弯链 Anti-sidebow chain for pushing window

推窗用防弯链 Anti-sidebow chain for pushing window



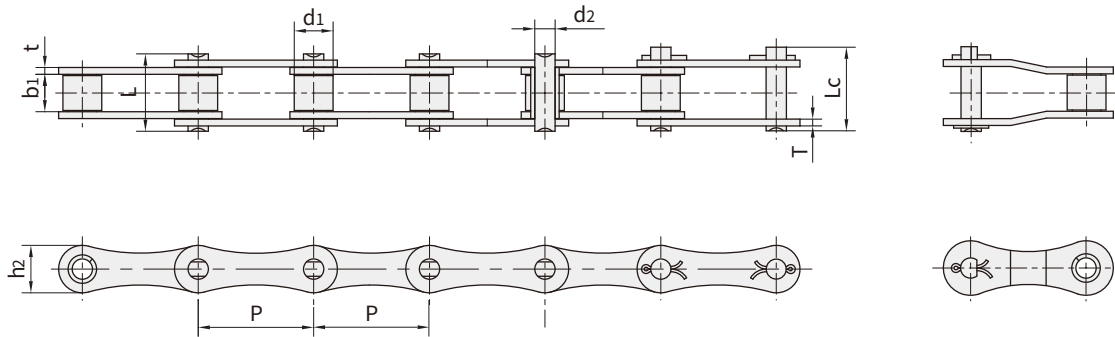
链号 Bison	节距 Pitch	滚子直径 Roller diameter	内节内宽 Width between inner plates	销轴直径 Pin diameter	销轴长度 Pin length	链板尺寸 Plate dimension		
Bison Chain No.	P	d ₁ max	b ₁ min	d ₂ max	L max	H max	h	t/T
	mm	mm	mm	mm	mm	mm	mm	mm
*P9.5SB	9.500	4.80	5.30	3.58	11.50	13.00	8.50	1.04
06BF33SS	9.525	6.35	5.72	3.28	13.15	12.38	7.88	1.30
06BF34	9.525	6.35	3.80	3.28	10.00	12.38	7.88	1.04
08ACGLF1	12.700	7.82	7.85	3.96	16.60	17.00	-	1.50
08BHNCGL	12.700	8.51	5.30	4.45	16.00	17.00	-	2.03
P12.7F4	12.700	7.50	5.50	4.45	15.60	14.30	8.50	2.03

■*套筒链：表中滚子直径d₁为套筒直径

■*Bush chain: d₁ in the table indicates the external diameter of the bush

双节距传动链 Double pitch transmission chain

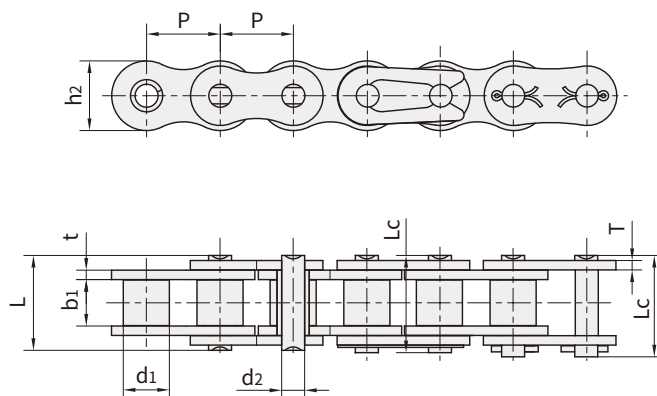
双节距传动链 Double pitch transmission chain



链号 DIN/ISO	链号 ANSI	节距 Pitch	滚子直径 Roller diameter	内节内宽 Width between inner plates	销轴直径 Pin diameter	销轴长度 Pin length		内链板高度 Innerplate depth	链板厚度 Plate thickness	极限拉伸载荷 Ultimate tensile strength	平均拉伸载荷 Average tensile strength	每米长重 Weight per meter
DIN/ISO Chain No.	ANSI Chain No.	P	d ₁ max	b ₁ min	d ₂ max	L max	L _c max	h ₂ max	T max	Q _{min}	Q ₀	q
		mm	mm	mm	mm	mm	mm	mm	mm	kN/lbf	kN	kg/m
208A	2040	25.40	7.95	7.85	3.96	16.6	17.8	12.0	1.50	14.1/3205	16.7	0.42
208B		25.40	8.51	7.75	4.45	16.7	18.2	11.8	1.60	18.0/4091	19.4	0.45
210A	2050	31.75	10.16	9.40	5.08	20.7	22.2	15.0	2.03	22.2/5045	28.1	0.73
210B		31.75	10.16	9.65	5.08	19.5	20.9	14.7	1.70	22.4/5091	27.5	0.65
212A	2060	38.10	11.91	12.57	5.94	25.9	27.7	18.0	2.42	31.8/7227	36.8	1.02
212B		38.10	12.07	11.68	5.72	22.5	25.2	16.0	1.85	29.0/6591	32.2	0.76
216A	2080	50.80	15.88	15.75	7.92	32.7	36.5	24.0	3.25	56.7/12886	65.7	1.70
216AH	2080H	50.80	15.88	15.75	7.92	36.2	39.4	24.0	4.00	56.7/12886	70.0	2.17
216B		50.80	15.88	17.02	8.28	36.1	39.1	21.0	4.15/3.1	60.0/13636	72.8	1.75
220A	2100	63.50	19.05	18.90	9.53	40.4	44.7	30.0	4.00	88.5/20114	102.6	2.55
220B		63.50	19.05	19.56	10.19	41.3	45.0	26.4	4.5/3.5	95.0/14773	106.7	2.62
224A	2120	76.20	22.23	25.22	11.10	50.3	54.3	35.7	4.80	127.0/28864	147.3	4.06
224B		76.20	25.40	25.40	14.63	53.4	57.8	33.2	6.0/4.8	160.0/36364	178.0	4.70
228B		88.90	27.94	30.99	15.90	65.1	69.5	36.7	7.5/6.0	200.0/45455	222.0	6.23
232B		101.60	29.21	30.99	17.81	66.0	71.0	42.0	7.0/6.0	250.0/56818	277.5	6.72

其它滚子链 Other roller chain

其它滚子链 Other roller chain



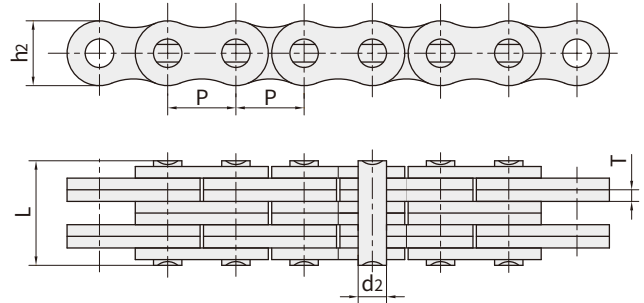
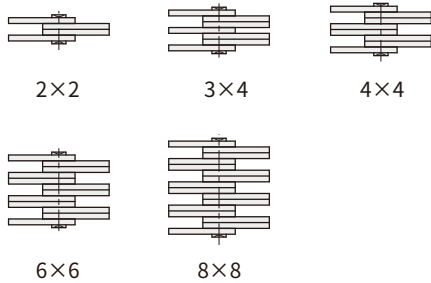
链号 Bison	节距 Pitch	滚子直径 Roller diameter	内节内宽 Width between inner plates	销轴直径 Pin diameter	销轴长度 Pin length		内链板高度 Innerplate depth	链板厚度 Plate thickness	排距 Transverse pitch	极限拉伸载荷 Ultimate tensile strength	平均拉伸载荷 Average tensile strength	每米长重 Weight per meter
Bison Chain No.	P	d ₁ max	b ₁ min	d ₂ max	L max	L _c max	h ₂ max	T max	P _t	Q _{min}	Q ₀	q
	mm	mm	mm	mm	mm	mm	mm	mm	mm	kN/lbf	kN	kg/m
217	12.700	8.51	6.40	4.45	15.2	16.30	11.80	1.60	-	18.00/4049	19.00	0.750
317	12.700	10.16	6.48	5.08	16.4	17.80	14.70	1.70	-	23.60/5362	24.70	0.810
08BF	12.700	8.51	5.55	4.45	14.6	16.10	11.80	1.60	-	17.80/4045	19.20	0.660
415B	12.700	7.75	4.88	4.09	12.9	14.40	10.30	1.30	-	12.00/2727	14.20	0.450
415BF1	12.700	7.75	4.88	4.09	11.5	13.00	10.30	1.00	-	9.00/2045	10.60	0.380
415BF3	12.700	7.75	4.80	4.09	11.6	13.65	10.30	1.20	-	9.80/2227	10.70	0.430
415BF5	12.700	7.75	5.10	4.09	14.4	16.00	9.90	1.8/1.6	-	16.00/3600	16.50	0.460
415BF7	12.700	7.75	4.88	3.58	13.8	15.00	10.30	1.30	-	6.00/1363	10.70	0.400
415F19	12.700	7.77	4.76	3.60	11.0	12.40	9.70	1.00	-	6.86/1559	7.60	0.320
415H	12.700	7.77	4.76	3.96	13.1	14.50	12.00	1.50	-	14.40/3273	16.10	0.550
10AF13	15.875	10.16	16.31	5.08	27.6	29.10	15.09	2.03	-	21.80/4952	23.90	1.350
10AF50	15.875	14.20	19.40	5.08	30.9	32.60	13.00	2.03	-	16.40/3726	18.00	2.140
10BF19	15.875	10.16	6.45	5.08	16.4	18.20	14.70	1.70	-	22.00/5000	24.20	0.890
10BF20	15.875	10.16	6.45	5.08	16.4	18.20	14.70	1.70	-	23.60/5363	25.96	0.860
10BF68	15.875	10.16	9.65	5.08	18.5	19.90	14.70	1.7/1.5	-	22.40/5090	24.64	0.930
425	19.050	12.07	13.50	5.72	29.2	31.00	16.80	3.00	-	30.00/6748	33.00	1.830
#081/410	12.700	7.75	3.30	3.65			9.80		-	8036		0.300
#082/408	12.700	7.75	2.38	3.65			9.80		-	8036		0.250

■#自行车链
■#Bicycle chain

板式链 Leaf chain

板式链 Leaf chain

链板组合
Plate lacing

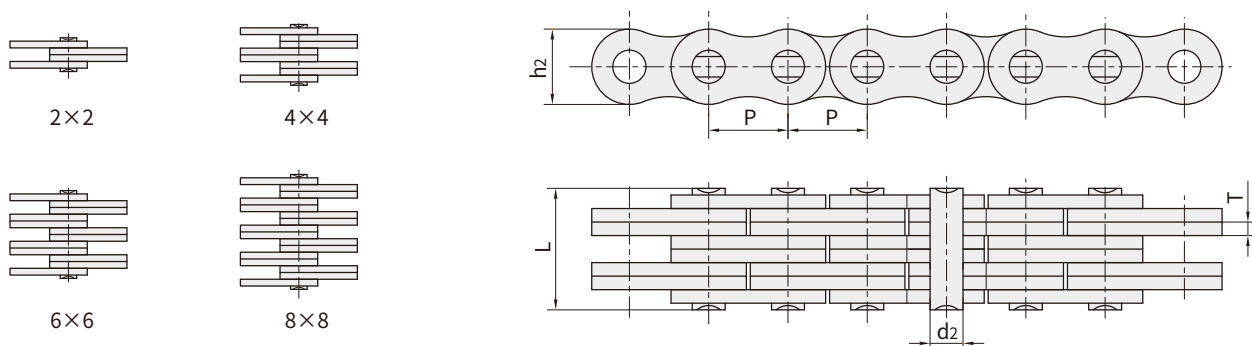


链号 ANSI/ISO	节距 Pitch	链板组合 Plate lacing	链板高度 Plate depth	链板厚度 Plate thickness	销轴直径 Pin diameter	销轴长度 Pin length	极限拉伸载荷 Ultimate tensile strength	平均拉伸载荷 Average tensile strength	每米长重 Weight per meter
ANSI/ISO Chain No.	P mm		h ₂ max mm	T max mm	d ₂ max mm	L max mm	Q min kN/lbf	Q ₀ kN	q kg/m
AL322	9.525	2×2	7.7	1.30	3.58	6.80	9.0/2045	10.2	0.23
AL344		4×4				11.60	18.0/4090	20.0	0.46
AL422	12.700	2×2	10.4	1.50	3.96	8.30	14.7/3304	15.4	0.39
AL444		4×4				14.40	29.4/6609	30.8	0.74
AL466		6×6				20.50	44.0/9891	46.2	1.13
AL522		2×2				11.05	24.5/5508	25.2	0.64
AL534	15.875	3×4	12.8	2.03	5.08	17.00	36.8/8273	37.8	1.10
AL544		4×4				19.40	48.9/10993	50.5	1.25
AL566		6×6				27.50	73.4/16500	74.2	1.79
AL622		2×2				13.00	33.4/7508	37.5	0.86
AL644	19.050	4×4	15.6	2.42	5.94	22.70	66.7/14994	75.0	1.76
AL666		6×6				32.20	100.1/22502	112.5	2.60
AL688		8×8				42.20	133.4/29988	142.0	3.49
AL822		2×2				16.20	57.9/13016	65.0	1.54
AL844	25.400	4×4	20.8	3.25	7.92	29.40	115.7/26009	130.0	3.00
AL866		6×6				44.20	173.5/39003	195.0	4.46
AL888		8×8				55.50	231.4/52019	245.0	6.30
AL1022		2×2				19.60	84.5/18996	98.0	2.37
AL1044	31.750	4×4	25.6	4.00	9.53	36.40	169.0/37991	196.0	4.68
AL1066		6×6				52.30	253.5/56987	294.0	7.20
AL1088		8×8				68.50	338.0/75982	371.0	9.94
AL1222		2×2				24.30	120.1/26998	136.0	3.65
AL1244	38.100	4×4	30.5	4.80	11.10	43.80	240.2/53997	272.0	7.05
AL1266		6×6				63.20	360.3/80995	394.0	10.50
AL1288		8×8				82.60	480.4/107994	512.0	14.03
AL1444		4×4				51.30	302.5/68002	356.0	10.34
AL1466	44.450	6×6	36.4	5.60	12.64	74.50	453.7/101992	534.0	15.16
AL1644		4×4				58.00	382.5/85986	449.6	12.98
AL1666		6×6				83.80	573.8/128990	674.4	19.76
AL1688		8×8				109.50	765.0/171972	899.2	25.47

板式链 Leaf chain

板式链 Leaf chain

链板组合 Plate lacing

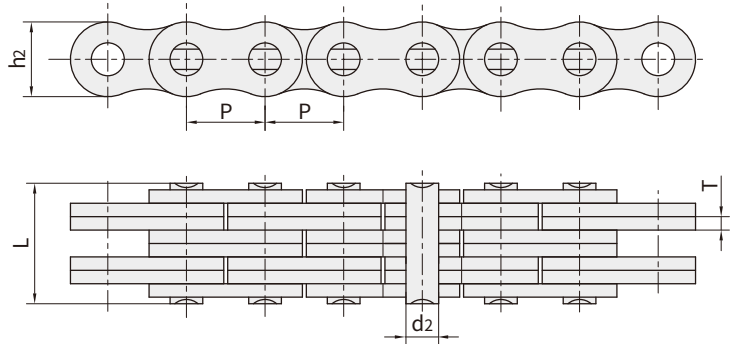
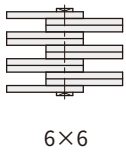
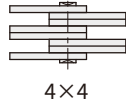
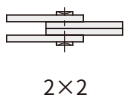


链号 DIN/ISO	节距 Pitch	链板组合 Plate lacing	链板高度 Plate depth	链板厚度 Plate thickness	销轴直径 Pin diameter	销轴长度 Pin length	极限拉伸载荷 Ultimate tensile strength	平均拉伸载荷 Average tensile strength	每米长重 Weight per meter
DIN/ISO Chain No.	P mm		h ₂ max mm	T max mm	d ₂ max mm	L max mm	Q min kN/lbf	Q ₀ kN	q kg/m
LL0822	12.700	2×2	10.6	1.6	4.45	8.9	18.2/4094	20.4	0.42
LL0844		4×4				15.6	36.4/8188	40.7	0.84
LL0866		6×6				22.0	54.6/12283	60.0	1.24
LL0888		8×8				28.5	72.8/16378	80.0	1.64
LL1022	15.875	2×2	13.7	1.6	5.08	9.2	22.7/5107	25.5	0.54
LL1044		4×4				15.8	45.4/10213	51.0	1.06
LL1066		6×6				22.1	68.1/15321	76.3	1.57
LL1088		8×8				28.8	90.8/20427	101.9	2.10
LL1222	19.050	2×2	16.0	1.85	5.72	10.4	29.5/6637	33.2	0.73
LL1244		4×4				17.9	59.0/13273	66.4	1.44
LL1266		6×6				25.4	88.5/19910	99.7	2.15
LL1288		8×8				32.9	118.0/26547	132.9	2.84

板式链 Leaf chain

板式链 Leaf chain

链板组合
Plate lacing

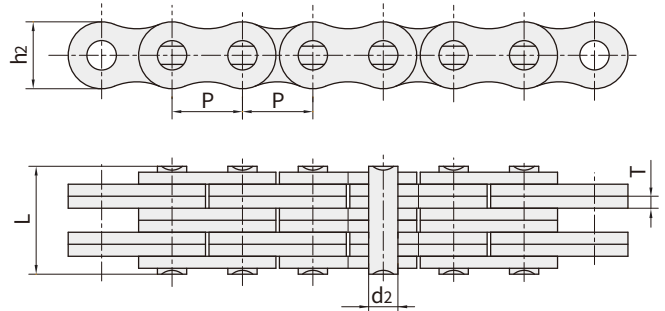
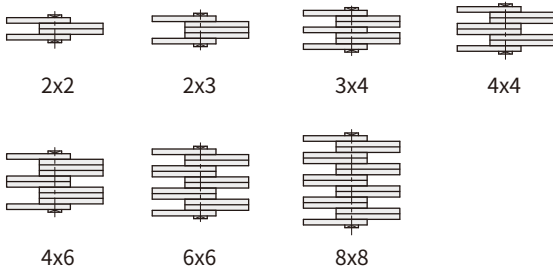


链号 DIN/ISO	节距 Pitch	链板组合 Plate lacing	链板高度 Plate depth	链板厚度 Plate thickness	销轴直径 Pin diameter	销轴长度 Pin length	极限拉伸载荷 Ultimate tensile strength	平均拉伸载荷 Average tensile strength	每米长重 Weight per meter
DIN/ISO Chain No.	P mm		h ₂ max mm	T max mm	d ₂ max mm	L max mm	Q min kN/lbf	Q ₀ kN	q kg/m
LL1622	25.40	2×2	21.00	3.1	8.28	17.2	58.0/13182	66.7	1.52
LL1644		4×4				29.6	116.0/26363	140.0	2.90
LL1666		6×6				42.4	174.0/39545	208.8	4.30
LL1688		8×8				54.9	232.0/52726	278.0	5.71
LL2022	31.75	2×2	26.40	3.5	10.19	20.1	95.0/21591	109.2	2.33
LL2044		4×4				33.8	190.0/43182	218.5	4.40
LL2066		6×6				50.1	285.0/64773	324.6	6.79
LL2088		8×8				64.0	380.0/86363	435.1	8.90
LL2422	38.10	2×2	33.40	5.0	14.63	28.4	170.0/38363	195.5	4.47
LL2444		4×4				46.3	340.0/77273	380.8	8.22
LL2466		6×6				66.4	510.0/115909	571.2	12.22
LL2488		8×8				86.6	680.0/154545	775.2	16.30
LL2822	44.45	2×2	37.08	6.0	15.90	32.2	200.0/45455	224.0	5.10
LL2844		4×4				56.4	400.0/90909	448.0	9.90
LL2866		6×6				80.8	600.0/136363	672.0	14.60
LL2888		8×8				105.2	800.0/181818	896.0	19.40
LL3222	50.80	2×2	42.00	6.4	17.81	34.8	260.0/59091	291.2	6.20
LL3244		4×4				60.6	520.0/118182	582.4	12.30
LL3266		6×6				86.4	780.0/177272	873.6	18.30
LL3288		8×8				112.2	1040.0/233970	1176.0	24.00
LL4022	63.50	2×2	52.76	8.0	22.89	42.2	360.0/81818	403.2	10.30
LL4044		4×4				74.4	780.0/177273	873.6	20.00
LL4066		6×6				106.5	1080.0/245454	1209.6	30.00
LL4088		8×8				140.0	1440.0/323959	1747.2	39.10
LL4822	76.20	2×2	63.88	10.0	29.24	54.6	560.0/127272	627.2	18.50
LL4844		4×4				92.6	1120.0/254545	1554.4	35.70
LL4866		6×6				133.4	1680.0/377953	1880.0	53.00
LL4888		8×8				174.2	2240.0/509091	2508.8	70.40

板式链 Leaf chain

板式链 Leaf chain

链板组合
Plate lacing

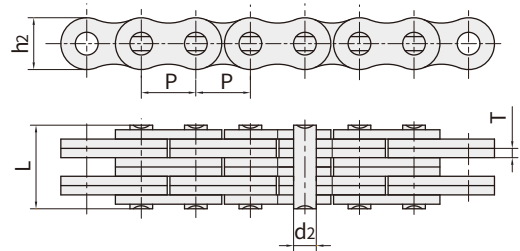
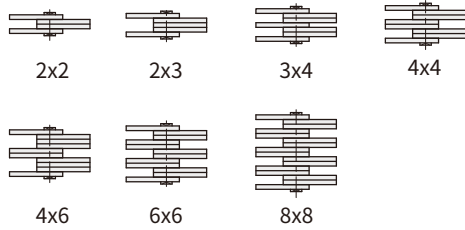


链号 ISO	链号 ANSI	节距 Pitch	链板组合 Plate lacing	链板高度 Plate depth	链板厚度 Plate thickness	销轴直径 Pin diameter	销轴长度 Pin length	极限拉伸载荷 Ultimate tensile strength	平均拉伸载荷 Average tensile strength	每米长重 Weight per meter
ISO Chain No.	ANSI Chain No.	P		h ₂ max	T max	d ₂ max	L max	Q min	Q ₀	q
		mm		mm	mm	mm	mm	mm	kN/lbf	kN
LH0822	BL422	12.700	2×2	12.07	2.08	5.09	11.05	22.2/5045	27.6	0.64
LH0823	BL423		2×3				13.16	22.2/5045	27.6	0.80
LH0834	BL434		3×4				17.40	33.4/7591	41.4	1.12
LH0844	BL444		4×4				19.51	44.5/10114	56.0	1.28
LH0846	BL446		4×6				23.75	44.5/10114	56.0	1.60
LH0866	BL466		6×6				27.99	66.7/15159	81.7	1.92
LH0888	BL488		8×8				36.45	89.0/20227	109.4	2.56
LH1022	BL522		2×2				15.875	15.09	2.44	5.96
LH1023	BL523	2×3	15.37	33.4/7591	43.1	1.10				
LH1034	BL534	3×4	20.32	48.9/11114	65.6	1.50				
LH1044	BL544	4×4	22.78	66.7/15159	84.5	1.80				
LH1046	BL546	4×6	27.74	66.7/15159	84.5	2.20				
LH1066	BL566	6×6	32.69	100.1/22750	125.1	2.65				
LH1088	BL588	8×8	42.57	133.4/30318	169.5	3.50				
LH1222	BL622	2×2	19.050	18.11	3.30	7.94				
LH1223	BL623	2×3					20.73	48.9/11114	63.6	1.80
LH1234	BL634	3×4					27.43	75.6/17181	102.8	2.50
LH1244	BL644	4×4					30.78	97.9/22250	120.9	2.90
LH1246	BL646	4×6					37.49	97.9/22250	120.9	3.60
LH1266	BL666	6×6					44.20	146.8/33364	190.8	4.30
LH1288	BL688	8×8					57.61	195.7/44477	238.8	5.80
LH1622	BL822	2×2					25.400	24.13	4.09	9.54
LH1623	BL823	2×3	25.48	84.5/19204	108.2	2.70				
LH1634	BL834	3×4	33.76	129.0/29318	170.0	3.80				
LH1644	BL844	4×4	37.90	169.0/38409	214.6	4.30				
LH1646	BL846	4×6	46.18	169.0/38409	214.6	5.40				
LH1666	BL866	6×6	54.46	253.6/57636	324.5	6.50				
LH1688	BL888	8×8	71.02	338.1/76841	432.7	8.60				

板式链 Leaf chain

板式链 Leaf chain

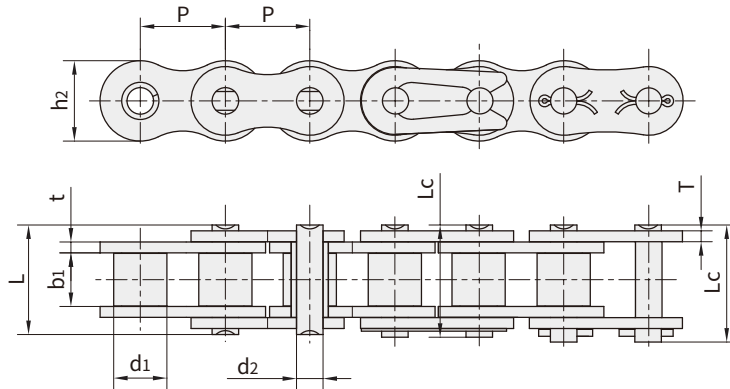
链板组合
Plate lacing



链号 ISO	链号 ANSI	节距 Pitch	链板组合 Plate lacing	链板高度 Plate depth	链板厚度 Plate thickness	销轴直径 Pin diameter	销轴长度 Pin length	极限拉伸载荷 Ultimate tensile strength	平均拉伸载荷 Average tensile strength	每米长重 Weight per meter
ISO Chain No.	ANSI Chain No.	P		h ₂ max	T max	d ₂ max	L max	Q _{min}	Q ₀	q
		mm		mm	mm	mm	mm	kN/lbf	kN	kg/m
LH2022	BL1022	31.75	2×2	30.18	4.90	11.11	25.37	115.6/26272	150.8	3.40
LH2023	BL1023		2×3				30.33	115.6/26272	150.8	4.30
LH2034	BL1034		3×4				40.23	182.4/41454	231.6	6.00
LH2044	BL1044		4×4				45.19	231.3/52568	291.4	6.90
LH2046	BL1046		4×6				55.09	231.3/52568	291.4	8.60
LH2066	BL1066		6×6				65.00	347.0/78863	430.3	10.30
LH2088	BL1088		8×8				84.81	462.6/105136	555.1	13.80
LH2422	BL1222	38.10	2×2	36.20	5.77	12.71	29.62	151.2/34363	192.0	4.6
LH2423	BL1223		2×3				35.43	151.2/34363	192.0	5.8
LH2434	BL1234		3×4				47.07	244.6/55591	315.9	8.1
LH2444	BL1244		4×4				52.88	302.5/68750	381.1	9.3
LH2446	BL1246		4×6				64.52	302.5/68750	381.1	11.6
LH2466	BL1266		6×6				76.15	453.7/103113	543.6	13.9
LH2488	BL1288		8×8				99.42	605.0/137500	726.0	18.6
LH2822	BL1422	44.45	2×2	42.24	6.55	14.29	33.55	191.3/43477	225.7	6.1
LH2823	BL1423		2×3				40.16	191.3/43477	225.7	7.6
LH2834	BL1434		3×4				53.37	315.8/71772	372.6	10.6
LH2844	BL1444		4×4				59.97	382.6/86954	451.2	12.2
LH2846	BL1446		4×6				73.18	382.6/86954	451.2	15.2
LH2866	BL1466		6×6				86.39	578.3/131431	682.4	18.2
LH2888	BL1488		8×8				112.80	765.1/173886	902.8	24.3
LH3222	BL1622	50.80	2×2	48.26	7.52	17.46	39.01	289.1/65704	341.1	8.0
LH3223	BL1623		2×3				46.58	289.1/65704	341.1	10.0
LH3234	BL1634		3×4				61.72	440.4/100091	519.6	14.0
LH3244	BL1644		4×4				69.29	573.8/131431	680.4	16.0
LH3246	BL1646		4×6				84.43	578.3/131431	680.4	20.0
LH3266	BL1666		6×6				99.57	857.4/194863	1000.7	24.0
LH3288	BL1688		8×8				129.84	1156.5/262841	1364.6	32.0
LH4022	BL2022	63.50	2×2	60.33	9.91	23.81	51.74	433.7/98568	511.7	15.8
LH4023	BL2023		2×3				61.70	433.7/98568	511.7	19.8
LH4034	BL2034		3×4				81.61	649.4/147590	766.2	27.7
LH4044	BL2044		4×4				91.57	867.4/197163	1023.5	31.6
LH4046	BL2046		4×6				111.48	867.4/197163	1023.5	39.5
LH4066	BL2066		6×6				131.39	1301.1/295704	1535.2	47.4
LH4088	BL2088		8×8				171.22	1734.8/394272	2046.5	63.2

不锈钢滚子链 Stainless steel roller chain

不锈钢滚子链 Stainless steel roller chain



链号 Bison	节距 Pitch	滚子直径 Roller diameter	内节内宽 Width between inner plates	销轴直径 Pin diameter	销轴长度 Pin length		内链板高度 Innerplate depth	链板厚度 Plate thickness	破断载荷 Breaking load	每米长重 Weight per meter
Bison Chain No.	P	d ₁ max	b ₁ min	d ₂ max	L max	L _c max	h ₂ max	T max	Q	q
	mm	mm	mm	mm	mm	mm	mm	mm	kN/lbf	kg/m
*04CSS	6.350	3.30	3.18	2.31	7.90	8.40	6.00	0.80	2.5/568	0.15
*06CSS	9.525	5.08	4.77	3.58	12.40	13.17	9.00	1.30	5.5/1250	0.33
08ASS	12.700	7.95	7.85	3.96	16.60	17.80	12.00	1.50	9.6/2182	0.63
41SS	12.700	7.77	6.25	3.58	13.75	15.00	9.91	1.30	6.0/1360	0.46
10ASS	15.875	10.16	9.40	5.08	20.70	22.20	15.09	2.03	15.2/3455	1.03
12ASS	19.050	11.91	12.57	5.94	25.90	27.70	18.00	2.42	21.7/4932	1.51
16ASS	25.400	15.88	15.75	7.92	32.70	35.00	24.00	3.25	38.9/8841	2.62
20ASS	31.750	19.05	18.90	9.53	40.40	44.70	30.00	4.00	60.0/13636	3.94
24ASS	38.100	22.23	25.22	11.10	50.30	54.30	35.70	4.80	72.5/16477	5.72
28ASS	44.450	25.40	25.22	12.70	54.40	59.00	41.0	5.60	94.0/21363	7.70
04BSS	6.000	4.00	2.80	1.85	6.80	7.80	5.00	0.60	2.0/455	0.11
05BSS	8.000	5.00	3.00	2.31	8.20	8.90	7.10	0.80	3.5/795	0.20
#06BSS	9.525	6.35	5.72	3.28	13.15	14.10	8.20	1.30	6.2/1409	0.41
08BSS	12.700	8.51	7.75	4.45	16.70	18.20	11.80	1.60	12.0/2727	0.70
10BSS	15.875	10.16	9.65	5.08	19.50	20.90	14.70	1.70	14.5/3295	0.94
12BSS	19.050	12.07	11.68	5.72	22.50	24.20	16.00	1.85	18.5/4205	1.16
16BSS	25.400	15.88	17.02	8.28	36.10	37.40	21.00	4.15/3.1	40.0/9091	2.73
20BSS	31.750	19.05	19.56	10.19	41.30	45.00	26.40	4.5/3.5	59.0/13409	3.73
24BSS	38.100	25.40	25.40	14.63	53.40	57.80	33.20	6.0/4.8	104.0/25454	7.20
32BSS	50.800	29.21	30.99	17.81	66.00	71.00	42.00	7.0/6.0	150.0/34090	10.22

*套筒链：表中滚子直径d₁为套筒直径

*Bush chain: d₁ in the table indicates the external diameter of the bush

#直链板

Straight side plates

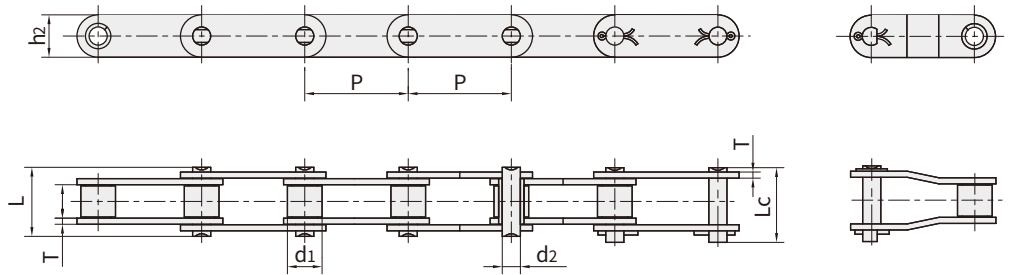
不锈钢链条适合在易受食品、化学、药品等侵蚀场合使用，还可用于高低温场合

Stainless steel chains are suitable for corrosive conditions involving food, chemicals, pharmaceuticals, etc. and also suitable for high and low temperature conditions.

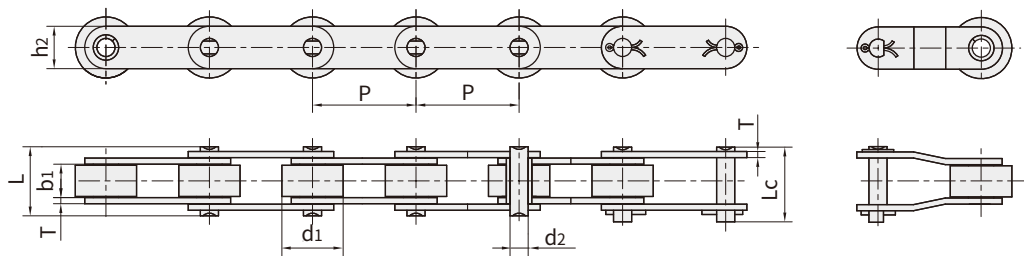
不锈钢双节距输送链 Stainless steel double pitch conveyor chain

不锈钢双节距输送链 Stainless steel double pitch conveyor chain

小滚子型
Small roller type



大滚子型
Large roller type

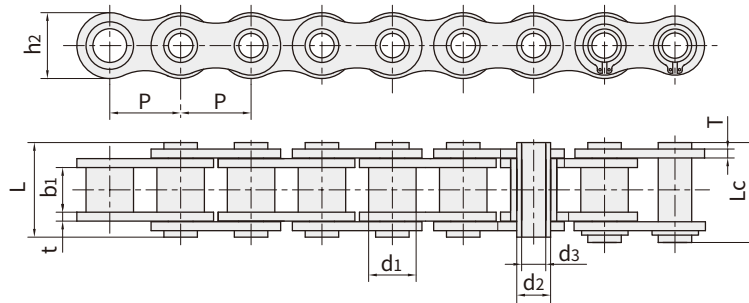


链号 Bison	节距 Pitch	滚子直径 Roller diameter	内节内宽 Width between inner plates	销轴直径 Pin diameter	销轴长度 Pin length		内链板高度 Innerplate depth	链板厚度 Plate thickness	破断载荷 Breaking load	每米长重 Weight per meter
Bison Chain No.	P	d1 max	b1 min	d2 max	L max	Lc max	h2 max	T max	Q min	q
	mm	mm	mm	mm	mm	mm	mm	mm	kN/lbf	kg/m
C2040SS C2042SS	25.40	7.95 15.88	7.85	3.96	16.6	17.8	12.0	1.50	9.6/2182	0.51 0.85
C2040HSS	25.40	7.95	7.85	3.96	18.8	19.9	12.0	2.03	9.6/2182	0.66
C208BSS C208BLSS	25.40	8.51 15.88	7.75	4.45	16.7	18.2	11.8	1.60	12.0/2727	0.56 0.90
C2050SS C2052SS	31.75	10.16 19.05	9.40	5.08	20.7	22.2	15.0	2.03	15.2/3455	0.79 1.29
C2060SS C2062SS	38.10	11.91 22.23	12.57	5.94	25.9	27.7	18.0	2.42	21.7/4932	1.13 1.63
C2060HSS C2062HSS	38.10	11.91 22.23	12.57	5.94	29.2	31.6	18.0	3.25	21.7/4932	1.46 2.10
C2080SS C2082SS	50.80	15.88 28.58	15.75	7.92	32.7	36.5	24.0	3.25	38.9/8841	2.11 3.16
C2080HSS C2082HSS	50.80	15.88 28.58	15.75	7.92	36.2	39.4	24.0	4.00	38.9/8841	2.57 3.63
C2100SS C2102SS	63.50	19.05 39.67	18.90	9.53	40.4	44.7	30.0	4.00	60.0/13636	3.05 4.89
C2100HSS C2102HSS	63.50	19.05 39.67	18.90	9.53	43.6	46.9	30.0	4.80	60.0/13636	3.61 5.45

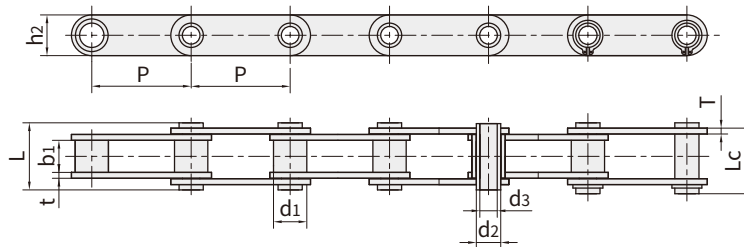
不锈钢空心销轴链 Stainless steel hollow pin chain

不锈钢空心销轴链 Stainless steel hollow pin chain

A型
Type A



B型
Type B



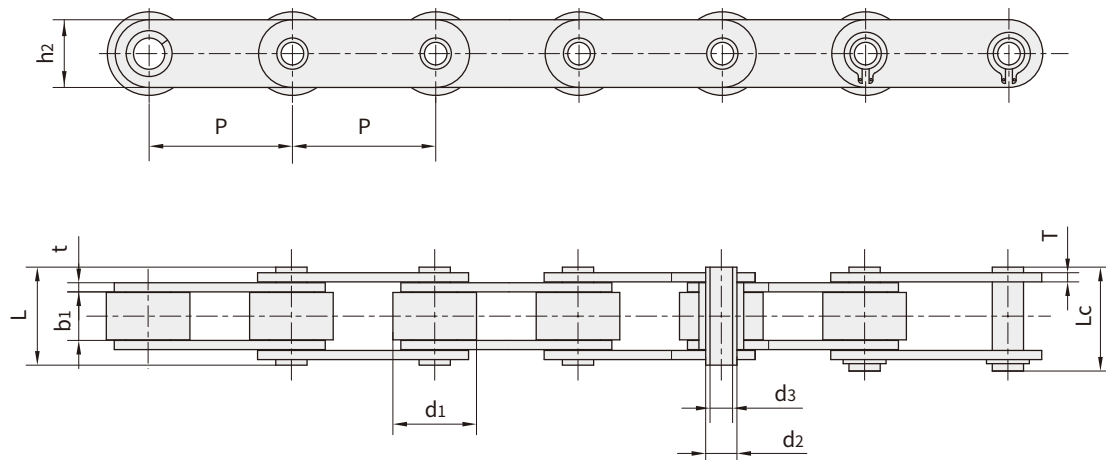
链号 Bison	节距 Pitch	套筒直径 Bush diameter	内节内宽 Width between inner plates	销轴直径 Pin diameter		销轴长度 Pin length		内链板高度 Innerplate depth	链板厚度 Plate thickness	破断载荷 Breaking load	每米长重 Weight per meter	型号 Type
Bison Chain No.	P	d1 max	b1 min	d2 max	d3 min	L max	Lc max	h2 max	T max	Q min	q	
	mm	mm	mm	mm	mm	mm	mm	mm	mm	kN/lbf	kg/m	
08BHPFSS	12.700	8.51	7.75	6.55	4.50	16.4	17.6	11.80	1.6/1.3	7.8/1773	0.57	A
40HPSS	12.700	7.95	7.85	5.63	4.00	16.5	17.6	12.00	1.50	7.7/1750	0.55	A
50HPSS	15.875	10.16	9.40	7.03	5.13	20.7	21.9	15.09	2.03	14.0/3182	0.92	A
60HPSS	19.050	11.91	12.70	8.31	6.00	25.8	26.8	18.00	2.42	16.8/3818	1.31	A
*12BHPSS	19.050	12.07	11.68	6.50	4.00	21.6	22.8	15.90	1.85	16.5/3750	1.10	A
80HPSS	25.400	15.88	15.75	11.40	8.05	32.5	33.8	24.00	3.25	35.0/7955	2.29	A
C2040HPSS	25.400	7.95	7.85	5.63	4.00	16.5	17.6	12.00	1.50	7.7/1750	0.47	B
C2050HPSS	31.750	10.16	9.40	7.22	5.12	20.5	21.8	15.00	2.03	14.3/3250	0.77	B
C2060HPSS	38.100	11.91	12.70	8.31	6.00	25.8	26.8	17.00	2.42	16.8/3818	1.03	B
C2080HPSS	50.800	15.88	15.75	11.40	8.05	32.5	33.8	24.00	3.25	35.0/7955	1.83	B
*HB50.8SS	50.800	30.00	10.50	11.40	8.20	27.4	28.6	26.00	3.10	35.0/7955	2.60	A

*套筒链：表中滚子直径d1为套筒直径

*Bush chain: d1 in the table indicates the external diameter of the bush

不锈钢空心销轴链 Stainless steel hollow pin chain

不锈钢空心销轴链 Stainless steel hollow pin chain



链号 Bison	节距 Pitch	滚子直径 Roller diameter	内节内宽 Width between inner plates	销轴直径 Pin diameter		销轴长度 Pin length		内链板高度 Innerplate depth	链板厚度 Plate thickness	破断载荷 Breaking load	每米长重 Weight per meter
Bison Chain No.	P	d1 max	b1 min	d2 max	d3 min	L max	Lc max	h2 max	T max	Q min	q
	mm	mm	mm	mm	mm	mm	mm	mm	mm	kN/lbf	kg/m
C2042HPSS	25.40	15.88	7.85	5.63	4.00	16.5	17.6	12.0	1.50	7.7/1750	0.79
C2052HPSS	31.75	19.05	9.53	7.22	5.12	20.5	21.8	15.0	2.03	14.3/3250	1.27
C2062HPSS	38.10	22.23	12.70	8.31	6.00	25.8	26.8	17.0	2.42	16.8/3818	1.74
C2082HPSS	50.80	28.58	15.75	11.40	8.05	32.4	33.8	24.0	3.25	35.0/7955	2.86
C2042H-HPSS	25.40	15.88	7.85	5.63	4.00	18.8	19.9	12.0	2.03	7.7/1750	0.96
C2052H-HPSS	31.75	19.05	9.53	7.22	5.12	22.1	23.4	15.0	2.42	14.3/3250	1.46
C2062H-HPSS	38.10	22.23	12.70	8.31	6.00	29.2	30.2	17.0	3.25	16.8/3818	2.02
C2082H-HPSS	50.80	28.58	15.75	11.40	8.05	36.2	37.6	24.0	4.00	35.0/7955	3.30