



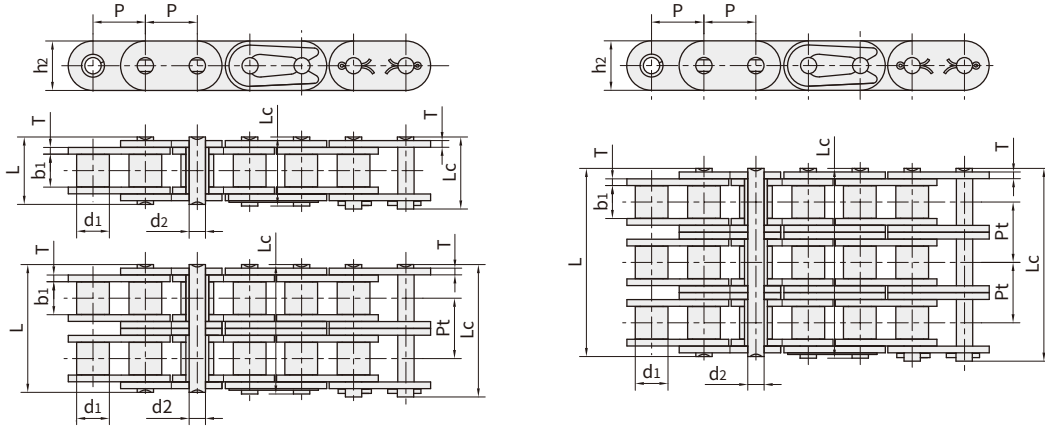
ISO9001 REGISTERED  
SUPERIOR CHAIN QUALITY

# CONVEYOR CHAIN PRODUCT CATALOGUE



## A系列直板滚子链 Roller chain with straight side plates (A series)

A系列直板滚子链 Roller chain with straight side plates (A series)



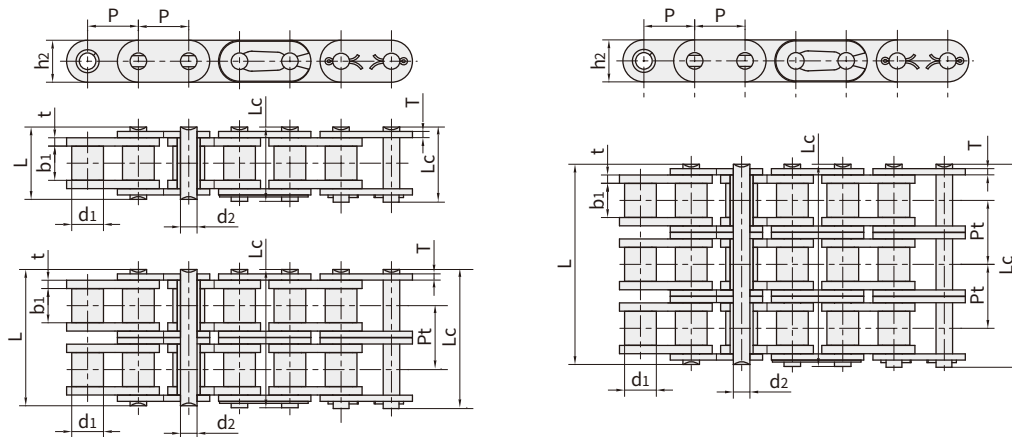
链号 Biosn	节距 Pitch	滚子直径 Roller diameter	内节内宽 Width between inner plates	销轴直径 Pin diameter	销轴长度 Pin length		内链板高度 Inner plate depth	链板厚度 Plate thickness	排距 Transverse pitch	极限拉伸载荷 Ultimate tensile strength	平均拉伸载荷 Average tensile strength	每米长重 Weight per meter	
Biosn Chain No.	P	d <sub>1</sub> max	b <sub>1</sub> min	d <sub>2</sub> max	L max	L <sub>c</sub> max	h <sub>2</sub> max	T max	Pt	Q <sub>min</sub>	Q <sub>0</sub>	q	
	mm	mm	mm	mm	mm	mm	mm	mm	mm	kN/lbf	kN	kg/m	
*C35-1	9.525	5.08	4.77	3.58	13.3	14.3	9.00	1.30	-	7.9/1795	10.8	0.41	
C08A-1	C40-1	12.700	7.95	7.85	3.96	16.6	18.8	12.00	1.50	-	14.1/3273	17.5	0.73
C10A-1	C50-1	15.875	10.16	9.40	5.08	20.7	23.3	15.09	2.03	-	22.2/5045	29.4	1.23
C12A-1	C60-1	19.050	11.91	12.57	5.94	25.9	28.3	18.0/18.2	2.42	-	31.8/7227	41.5	1.81/1.83
C16A-1	C80-1	25.400	15.88	15.75	7.92	32.7	36.5	24.00	3.25	-	56.7/12886	69.4	3.09
C20A-1	C100-1	31.750	19.05	18.90	9.53	40.4	44.7	30.00	4.00	-	88.5/20114	109.2	4.56
C24A-1	C120-1	38.100	22.23	25.22	11.10	50.3	54.3	35.70	4.80	-	127.0/28864	156.3	6.86
C28A-1	C140-1	44.450	25.40	25.22	12.70	54.4	59.0	41.00	5.60	-	172.4/39182	212.0	8.49
C32A-1	C160-1	50.800	28.58	31.55	14.27	64.8	69.6	47.80	6.40	-	226.8/51545	278.9	11.50
C08A-2	C40-2	12.700	7.95	7.85	3.96	31.0	33.2	12.00	1.50	14.38	28.2/6409	35.9	1.43
C10A-2	C50-2	15.875	10.16	9.40	5.08	38.9	41.4	15.09	2.03	18.11	44.4/10091	58.1	2.42
C12A-2	C60-2	19.050	11.91	12.57	5.94	48.8	51.1	18.0/18.2	2.42	22.78	63.6/14455	82.1	3.58/3.62
C16A-2	C80-2	25.400	15.88	15.75	7.92	62.7	65.8	24.00	3.25	29.29	113.4/25773	141.8	6.12
C20A-2	C100-2	31.750	19.05	18.90	9.53	76.4	80.5	30.00	4.00	35.76	177.0/40227	219.4	9.08
C24A-2	C120-2	38.100	22.23	25.22	11.10	95.8	99.7	35.70	4.80	45.44	254.0/57727	314.9	13.60
C28A-2	C140-2	44.450	25.40	25.22	12.70	103.3	107.9	41.00	5.60	48.87	344.8/78364	427.5	16.86
C32A-2	C160-2	50.800	28.58	31.55	14.27	123.3	128.1	47.80	6.40	58.55	453.6/103091	562.4	22.90
C08A-3	C40-3	12.700	7.95	7.85	3.96	45.4	47.6	12.00	1.50	14.38	42.3/9614	50.0	2.14
C10A-3	C50-3	15.875	10.16	9.40	5.08	57.0	59.5	15.09	2.03	18.11	66.6/15136	77.8	3.62
C12A-3	C60-3	19.050	11.91	12.57	5.94	71.5	73.9	18.0/18.2	2.42	22.78	95.4/21682	111.1	5.36/5.41
C16A-3	C80-3	25.400	15.88	15.75	7.92	91.7	95.1	24.00	3.25	29.29	170.1/38659	198.4	9.10
C20A-3	C100-3	31.750	19.05	18.90	9.53	112.2	116.3	30.00	4.00	35.76	265.5/60341	309.6	13.60
C24A-3	C120-3	38.100	22.23	25.22	11.10	141.4	145.2	35.70	4.80	45.44	381.0/86591	437.2	20.43
C28A-3	C140-3	44.450	25.40	25.22	12.70	152.2	156.8	41.00	5.60	48.87	517.2/117545	593.3	25.23
C32A-3	C160-3	50.800	28.58	31.55	14.27	181.8	186.6	47.80	6.40	58.55	680.4/154636	780.6	34.19

\*套筒链：表中滚子直径d<sub>1</sub>为套筒直径

\* Bush chain: d<sub>1</sub> in the table indicates the external diameter of the bush

## B系列直板滚子链 Roller chain with straight side plates (B series)

B系列直板滚子链 Roller chain with straight side plates (B series)

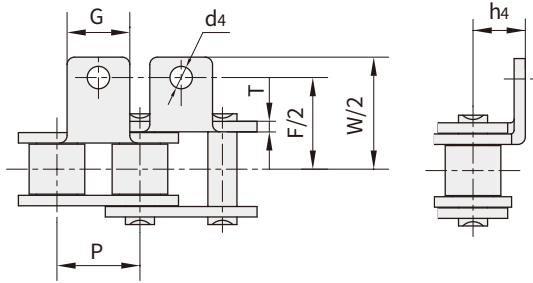


链号 Biosn	节距 Pitch	滚子直径 Roller diameter	内节内宽 Width between inner plates	销轴直径 Pin diameter	销轴长度 Pin length		内链板高度 Inner plate depth	链板厚度 Plate thickness	排距 Transverse pitch	极限拉伸载荷 Ultimate tensile strength	平均拉伸载荷 Average tensile strength	每米长重 Weight per meter
Biosn Chain No.	P	d <sub>1</sub> max	b <sub>1</sub> min	d <sub>2</sub> max	L max	L <sub>c</sub> max	h <sub>2</sub> max	T max	P <sub>t</sub>	Q <sub>min</sub>	Q <sub>0</sub>	q
	mm	mm	mm	mm	mm	mm	mm	mm	mm	kN/lbf	kN	kg/m
C08B-1	12.700	8.51	7.75	4.45	16.7	18.2	11.8	1.60	-	18.0/4091	19.5	0.80
C10B-1	15.875	10.16	9.65	5.08	19.5	20.9	14.7	1.70	-	22.4/5091	27.9	1.06
C12B-1	19.050	12.07	11.68	5.72	22.5	25.2	16.0	1.85	-	29.0/6591	32.2	1.32
C16B-1	25.400	15.88	17.02	8.28	36.1	39.1	21.0/24.0	4.15/3.1	-	60.0/13636	72.8	3.08/3.49
C20B-1	31.750	19.05	19.56	10.19	41.3	45.0	26.4	4.5/3.5	-	95.0/21591	106.7	4.16
C24B-1	38.100	25.40	25.40	14.63	53.4	57.8	33.2	6.0/4.8	-	160.0/36364	178.0	7.47
C28B-1	44.450	27.94	30.99	15.90	65.1	69.5	36.7	7.5/6.0	-	200.0/45455	222.0	9.90
C32B-1	50.800	29.21	30.99	17.81	66.0	71.0	42.0	7.0/6.0	-	250.0/56818	277.5	10.45
C08B-2	12.700	8.51	7.75	4.45	31.2	32.2	11.8	1.60	13.92	32.0/7273	38.7	1.45
C10B-2	15.875	10.16	9.65	5.08	36.1	37.5	14.7	1.70	16.59	44.5/10114	57.8	2.00
C12B-2	19.050	12.07	11.68	5.72	42.0	44.7	16.0	1.85	19.46	57.8/13136	66.1	2.62
C16B-2	25.400	15.88	17.02	8.28	68.0	71.0	21.0/24.0	4.15/3.1	31.88	106.0/24091	133.0	6.10/6.92
C20B-2	31.750	19.05	19.56	10.19	77.8	81.5	26.4	4.5/3.5	36.45	170.0/38636	211.2	8.23
C24B-2	38.100	25.40	25.40	14.63	101.7	106.2	33.2	6.0/4.8	48.36	280.0/63636	319.2	14.77
C28B-2	44.450	27.94	30.99	15.90	124.6	129.1	36.7	7.5/6.0	59.56	360.0/81818	406.8	19.82
C32B-2	50.800	29.21	30.99	17.81	124.6	129.6	42.0	7.0/6.0	58.55	450.0/102273	508.5	20.94
C08B-3	12.700	8.51	7.75	4.45	45.1	46.1	11.8	1.60	13.92	47.5/10795	57.8	2.10
C10B-3	15.875	10.16	9.65	5.08	52.7	54.1	14.7	1.70	16.59	66.7/15159	84.5	2.87
C12B-3	19.050	12.07	11.68	5.72	61.5	64.2	16.0	1.85	19.46	86.7/19705	101.8	3.89
C16B-3	25.400	15.88	17.02	8.28	99.8	102.9	21.0/24.0	4.15/3.1	31.88	160.0/36364	203.7	9.12/10.34
C20B-3	31.750	19.05	19.56	10.19	114.2	117.9	26.4	4.5/3.5	36.45	250.0/56818	290.0	11.34
C24B-3	38.100	25.40	25.40	14.63	150.1	154.6	33.2	6.0/4.8	48.36	425.0/96591	493.0	22.10
C28B-3	44.450	27.94	30.99	15.90	184.2	188.7	36.7	7.5/6.0	59.56	530.0/120454	609.5	29.64
C32B-3	50.800	29.21	30.99	17.81	183.2	188.2	42.0	7.0/6.0	58.55	670.0/152273	770.5	31.27

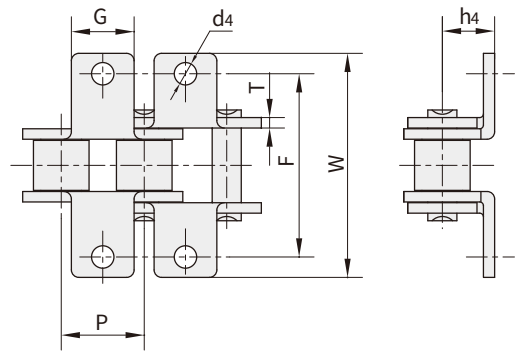
## 短节距输送链附件 Short pitch conveyor chain attachments

短节距输送链附件 Short pitch conveyor chain attachments

A-1



K-1



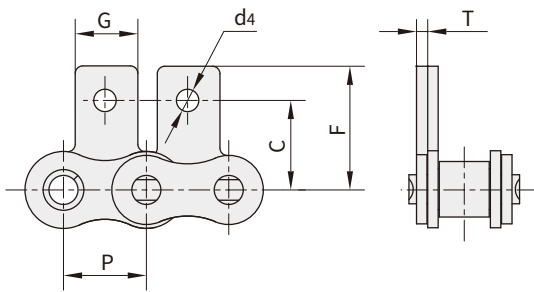
链号 DIN/ISO	链号 ANSI	P	G	F	W	T	h4	d4
DIN/ISO Chain No.	ANSI Chain No.	mm	mm	mm	mm	mm	mm	mm
04C	25	6.350	5.6	13.80	23.2	0.80	4.30	3.4
06C	35	9.525	7.9	19.00	28.6	1.30	6.35	3.4
08A	40	12.700	9.5	25.40	35.2	1.50	7.90	3.4
085	41	12.700	9.5	24.00	33.4	1.30	6.90	3.6
10A	50	15.875	12.7	31.75	46.2	2.03	10.30	5.5
12A	60	19.050	15.9	38.10	55.6	2.42	11.90	5.5
16A	80	25.400	19.1	50.80	64.8	3.25	15.90	6.8
20A	100	31.750	25.4	63.50	89.8	4.00	19.80	9.2
24A	120	38.100	28.6	76.20	108.5	4.80	23.00	9.8
28A	140	44.450	34.9	88.90	123.0	5.60	28.60	11.4
32A	160	50.800	38.1	101.60	142.8	6.40	31.75	13.1
40A	200	63.500	50.8	127.00	179.0	8.00	42.88	16.3
*06B		9.525	8.0	19.04	27.0	1.30	6.50	3.5
08B		12.700	9.5	25.40	36.4	1.60	8.90	4.5
10B		15.875	14.3	31.75	44.6	1.70	10.31	5.3
12B		19.050	16.0	38.10	52.4	1.85	13.46	6.4
16B		25.400	19.1	50.80	72.6	3.10	15.88	6.4
20B		31.750	35.0	63.50	100.5	3.50	19.80	9.0
24B		38.100	30.0	76.20	108.4	4.80	26.67	10.5
28B		44.450	35.0	88.90	123.0	6.00	28.58	13.1
32B		50.800	38.1	101.60	142.8	6.00	31.75	13.1

\*直链板  
\*Straight side plates

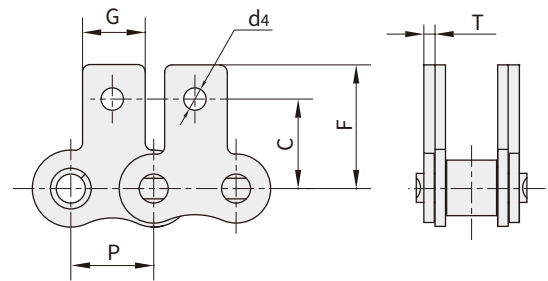
## 短节距输送链附件 Short pitch conveyor chain attachments

短节距输送链附件 Short pitch conveyor chain attachments

SA-1/M 1单侧(one side)



SK-1/M 1双侧(both sides)



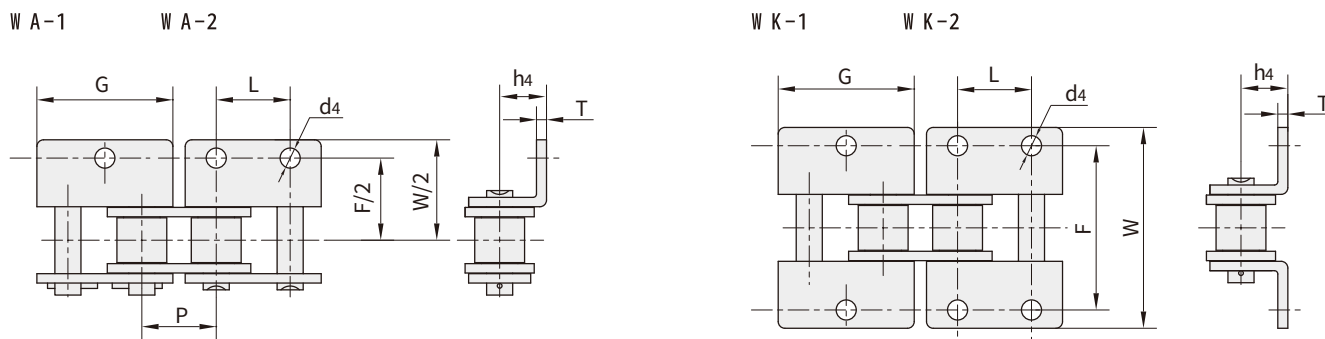
链号 DIN/ISO	链号 ANSI	P	G	C	F	T	d4
DIN/ISO Chain No.	AN SI Chain No.	mm	mm	mm	mm	mm	mm
04C	25	6.350	5.6	7.95	11.70	0.80	3.4
06C	35	9.525	7.9	9.50	14.55	1.30	3.4
08A	40	12.700	9.5	12.70	19.05	1.50	3.4
085	41	12.700	9.5	11.85	16.55	1.30	3.6
10A	50	15.875	12.7	15.90	25.25	2.03	5.5
12A	60	19.050	15.9	18.30	29.33	2.42	5.5
16A	80	25.400	19.1	24.60	34.70	3.25	6.8
20A	100	31.750	25.4	31.80	43.30	4.00	9.2
24A	120	38.100	28.6	36.50	51.60	4.80	9.8
28A	140	44.450	34.9	44.50	62.00	5.60	11.4
32A	160	50.800	38.1	50.80	69.85	6.40	13.1
40A	200	63.500	50.8	63.50	88.90	8.00	16.3
*06B		9.525	8.0	9.52	13.50	1.30	3.5
08B		12.700	9.5	13.35	18.90	1.60	4.3
10B		15.875	14.3	16.50	22.95	1.70	5.3
12B		19.050	16.0	21.45	28.60	1.85	6.4
16B		25.400	19.1	23.15	34.00	3.10	6.4
20B		31.750	35.0	30.50	45.70	3.50	9.0
24B		38.100	36.0	36.00	61.50	4.80	10.5

\*直链板

\*Straight side plates

## 短节距输送链附件 Short pitch conveyor chain attachments

短节距输送链附件 Short pitch conveyor chain attachments



链号 DIN/ISO	链号 ANSI	P	G	L	F	W	T	h4	d4
DIN/ISO Chain No.	AN SI Chain No.	mm	mm	mm	mm	mm	mm	mm	mm
04C	25	6.350	11.41	6.350	13.80	23.2	0.80	4.30	3.40
06C	35	9.525	17.32	9.525	19.00	28.6	1.30	6.35	2.80
08A	40	12.700	23.00	12.700	25.40	35.6	1.50	7.90	3.40
085	41	12.700	22.30	12.700	24.00	35.0	1.30	7.20	4.85
10A	50	15.875	28.80	15.875	31.75	46.8	2.03	10.30	5.50
12A	60	19.050	34.65	19.050	38.10	56.4	2.42	11.90	5.50
16A	80	25.400	45.90	25.400	50.80	73.2	3.25	15.90	6.80
20A	100	31.750	57.65	31.750	63.50	89.8	4.00	19.80	9.20
24A	120	38.100	69.30	38.100	76.20	108.8	4.80	23.00	9.80
28A	140	44.450	80.45	44.450	88.90	123.0	5.60	28.60	11.40
32A	160	50.800	92.00	50.800	101.60	142.8	6.40	31.75	13.10
40A	200	63.500	115.50	63.500	127.00	179.0	8.00	42.88	16.30
*06B		9.525	17.72	9.525	19.04	27.0	1.30	6.50	3.50
08B		12.700	24.00	12.700	25.40	36.4	1.60	8.90	4.30
10B		15.875	29.58	15.875	31.80	44.6	1.70	10.31	5.30
12B		19.050	34.05	19.050	38.10	52.4	1.85	13.46	6.40
16B		25.400	46.40	25.400	50.80	72.6	3.10	15.88	6.40
20B		31.750	58.10	31.750	63.00	100.5	3.50	19.80	9.00
24B		38.100	71.30	38.100	76.20	108.4	4.80	26.67	10.50
28B		44.450	81.10	44.450	88.90	123.0	6.00	28.58	13.10
32B		50.800	92.80	50.800	101.60	142.8	6.00	31.75	13.10

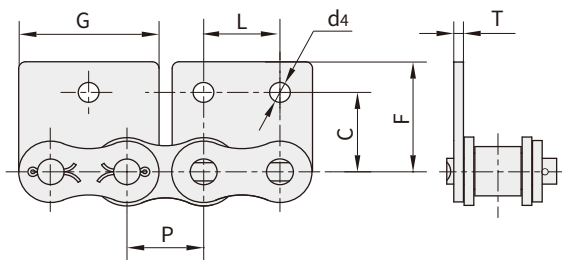
\*直链板  
\*Straight side plates

## 短节距输送链附件 Short pitch conveyor chain attachments

短节距输送链附件 Short pitch conveyor chain attachments

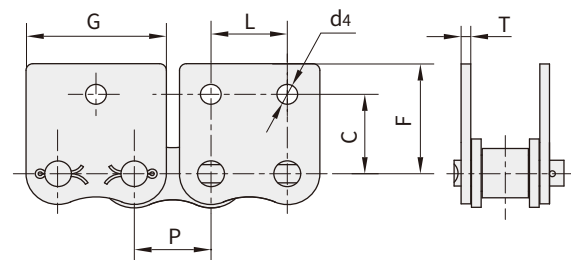
W SA-1

W SA-2



W SK-1

W SK-2



链号 DIN/ISO	链号 ANSI	P	G	L	C	F	T	d4
DIN/ISO Chain No.	AN SI Chain No.	mm	mm	mm	mm	mm	mm	mm
04C	25	6.350	11.41	6.350	7.95	11.70	0.80	3.4
06C	35	9.525	17.32	9.525	9.50	14.55	1.30	2.8
08A	40	12.700	23.00	12.700	12.70	17.40	1.50	3.4
085	41	12.700	21.20	12.700	11.85	16.55	1.30	3.6
10A	50	15.875	28.80	15.875	15.90	23.05	2.03	5.5
12A	60	19.050	34.65	19.050	18.30	26.86	2.42	5.5
16A	80	25.400	45.90	25.400	24.60	35.45	3.25	6.8
20A	100	31.750	57.65	31.750	31.80	44.00	4.00	9.2
24A	120	38.100	69.30	38.100	36.50	51.60	4.80	9.8
28A	140	44.450	80.45	44.450	44.50	62.00	5.60	11.4
32A	160	50.800	92.00	50.800	50.80	69.85	6.40	13.1
40A	200	63.500	115.5	63.500	63.50	88.90	8.00	16.3
*06B		9.525	17.72	9.525	9.52	13.50	1.30	3.5
08B		12.700	23.30	12.700	13.35	18.90	1.60	4.3
10B		15.875	29.58	15.875	16.50	22.95	1.70	5.3
12B		19.050	34.05	19.050	21.45	28.60	1.85	6.4
16B		25.400	46.40	25.400	23.15	34.00	3.10	6.4
20B		31.750	58.10	31.750	30.50	45.70	3.50	9.0
24B		38.100	71.30	38.100	42.70	61.50	4.80	10.5

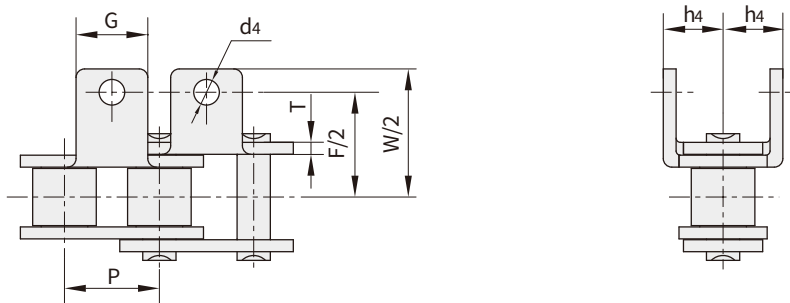
\*直链板

\*Straight side plates

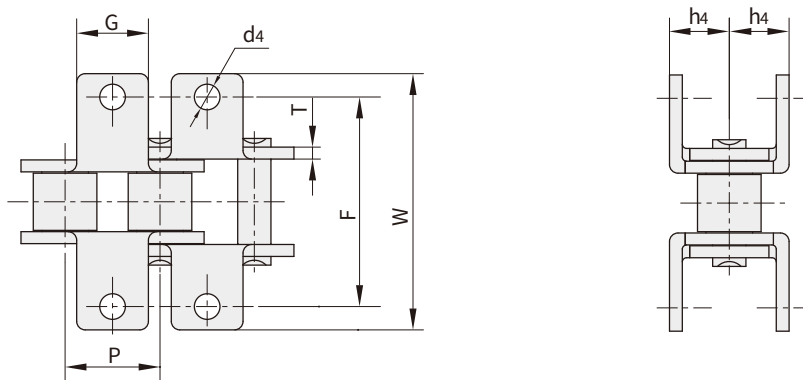
## 短节距输送链附件 Short pitch conveyor chain attachments

短节距输送链附件 Short pitch conveyor chain attachments

AA-1



KK-1



链号 DIN/ISO	链号 ANSI	P	G	F	W	T	h4	d4
DIN/ISO Chain No.	AN SI Chain No.	mm	mm	mm	mm	mm	mm	mm
08A	40	12.700	9.5	25.40	35.2	1.50	7.90	3.4
10A	50	15.875	12.7	31.75	46.2	2.03	10.30	5.5
12A	60	19.050	15.9	38.10	55.6	2.42	11.90	5.5
16A	80	25.400	19.1	50.80	64.8	3.25	15.90	6.8
20A	100	31.750	25.4	63.50	87.3	4.00	19.80	9.2
24A	120	38.100	28.6	76.20	108.5	4.80	23.00	9.8
*06B		9.525	8.0	19.04	27.0	1.30	6.50	3.5
08B		12.700	9.5	25.40	36.4	1.60	8.90	4.5
10B		15.875	14.3	31.75	44.6	1.70	10.31	5.3
12B		19.050	16.0	38.10	52.4	1.85	13.46	6.4
16B		25.400	19.1	50.80	72.6	3.10	15.88	6.4
20B		31.750	35.0	63.50	100.5	3.50	19.80	9.0
24B		38.100	30.0	76.20	108.4	4.80	26.67	10.5

\*直链板

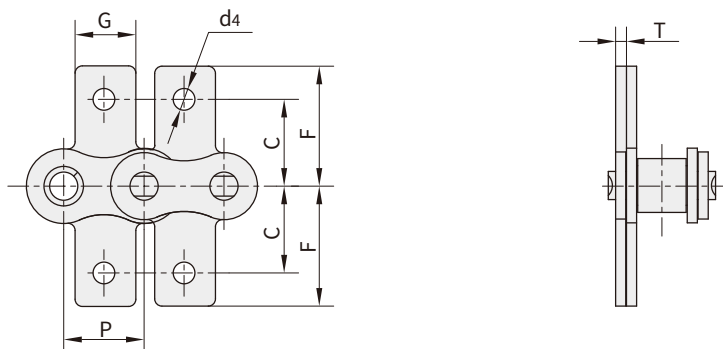
‡straight side plates



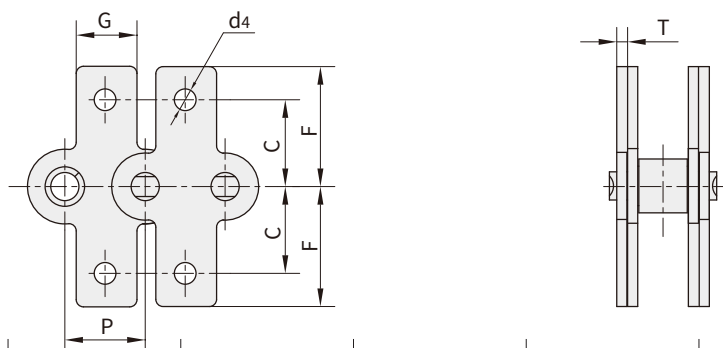
## 短节距输送链附件 Short pitch conveyor chain attachments

短节距输送链附件 Short pitch conveyor chain attachments

SAA-1



SKK-1



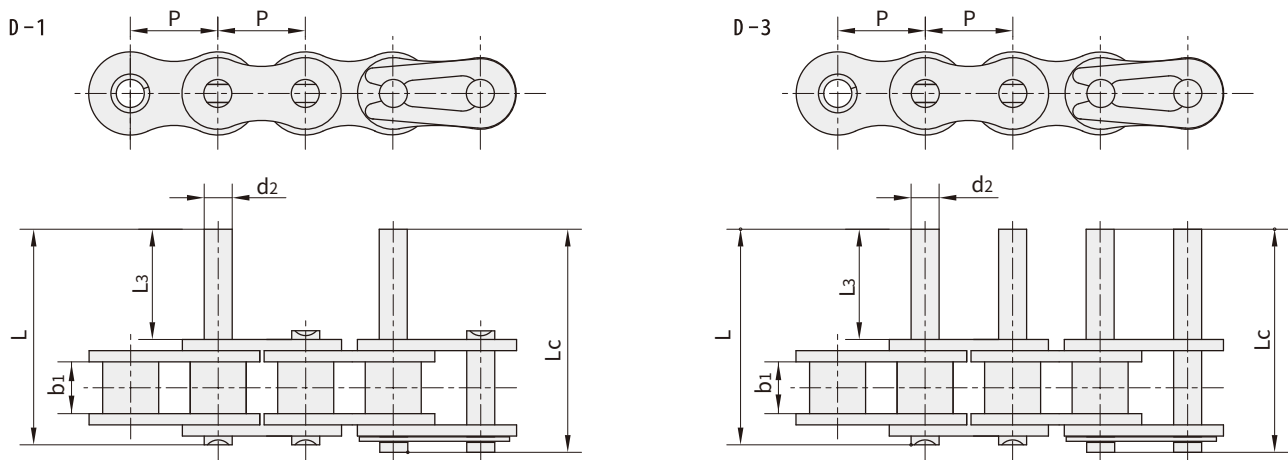
链号 DIN/ISO	链号 ANSI	P	G	C	F	T	d4
DIN/ISO Chain No.	ANSI Chain No.	mm	mm	mm	mm	mm	mm
08A	40	12.700	9.5	12.70	19.05	1.50	3.4
10A	50	15.875	12.7	15.90	25.25	2.03	5.5
12A	60	19.050	15.9	18.30	29.33	2.42	5.5
16A	80	25.400	19.1	24.60	34.70	3.25	6.8
20A	100	31.750	25.4	31.80	43.30	4.00	9.2
24A	120	38.100	28.6	73.00	103.20	4.80	9.8
*06B		9.525	8.0	9.52	13.50	1.30	3.5
08B		12.700	9.5	13.35	18.90	1.60	4.3
10B		15.875	14.3	16.50	22.95	1.70	5.3
12B		19.050	16.0	21.45	28.60	1.85	6.4
16B		25.400	19.1	23.15	34.00	3.10	6.4
20B		31.750	35.0	30.50	45.70	3.50	9.0
24B		38.100	36.0	85.40	123.0	4.80	10.5

\*直链板

\*Straight side plates

## 短节距加长销输送链 Short pitch conveyor chain with extended pins

短节距加长销输送链 Short pitch conveyor chain with extended pins

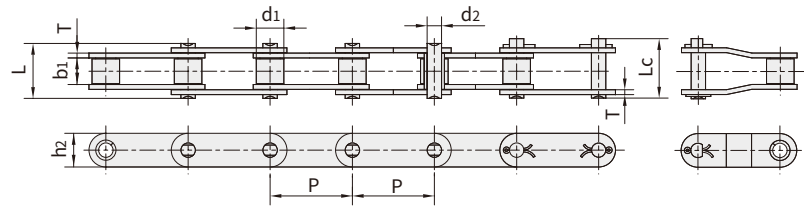


链号 DIN/ISO	链号 ANSI	P	b1	d2	L3	L	Lc
DIN/ISO Chain No.	ANSI Chain No.	mm	mm	mm	mm	mm	mm
06C	35	9.525	4.77	3.58	9.5	20.8	21.6
08A	40	12.700	7.85	3.96	9.5	25.1	26.2
10A	50	15.875	9.40	5.08	11.9	31.3	33.1
12A	60	19.050	12.57	5.94	14.3	38.6	40.6
16A	80	25.400	15.75	7.92	19.1	50.3	53.3
20A	100	31.750	18.90	9.53	23.8	61.8	66.1
24A	120	38.100	25.22	11.10	28.6	76.4	80.4
28A	140	44.450	25.22	12.70	33.3	84.8	89.4
32A	160	50.800	31.55	14.27	38.1	99.6	104.4
08B		12.700	7.75	4.45	9.5	25.1	26.6
10B		15.875	9.65	5.08	11.9	30.1	31.5
12B		19.050	11.68	5.72	14.3	35.4	37.1
16B		25.400	17.02	8.28	19.1	53.0	54.3
20B		31.750	19.56	10.19	41.0	79.9	83.6
24B		38.100	25.40	14.63	50.7	101.4	105.8
28B		44.450	30.99	15.90	61.9	124.0	128.4
32B		50.800	30.99	17.81	64.8	126.8	131.8

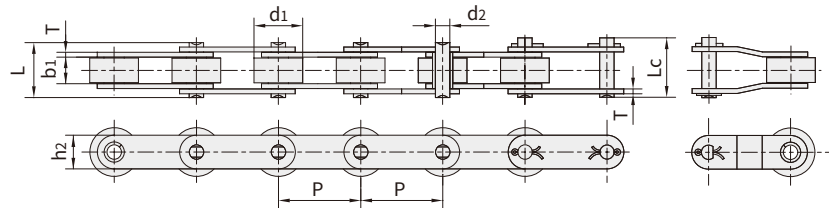
## 双节距输送链 Double pitch conveyor chain

### 双节距输送链 Double pitch conveyor chain

小滚子型  
Small Roller Type



大滚子型  
Large Roller Type

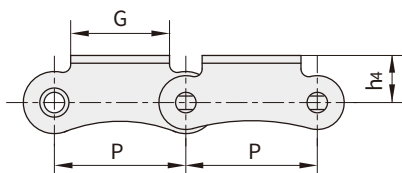


链号 ISO	链号 ANSI	节距 Pitch	滚子直径 Roller diameter	内节内宽 Width between inner plates	销轴直径 Pin diameter	销轴长度 Pin length		内链板高度 Innerplate depth	链板厚度 Plate thickness	极限拉伸载荷 Ultimate tensile strength	平均拉伸载荷 Average tensile strength	每米长重 Weight per meter
ISO Chain No.	ANSI Chain No.	P	d1 max	b1 min	d2 max	L max	Lc max	h2 max	T max	Q min	Q0	q
		mm	mm	mm	mm	mm	mm	mm	mm	kN/lbf	kN	kg/m
C208A	C2040	25.40	7.95	7.85	3.96	16.6	17.8	12.0	1.50	14.1/3205	16.7	0.50
C208AL	C2042		15.88									0.84
C208AH	C2040H	25.40	7.95	7.85	3.96	18.8	19.9	12.0	2.03	14.1/3205	17.2	0.65
C208B		25.40	8.51	7.75	4.45	16.7	18.2	11.8	1.60	18.0/4091	19.4	0.55
C208BL			15.88									0.89
C210A	C2050	31.75	10.16	9.40	5.08	20.7	22.2	15.0	2.03	22.2/5045	28.1	0.78
C210AL	C2052		19.05									1.27
C212A	C2060	38.10	11.91	12.57	5.94	25.9	27.7	18.0	2.42	31.8/7227	36.8	1.12
C212AL	C2062		22.23									1.61
C212AH	C2060H	38.10	11.91	12.57	5.94	29.2	31.6	18.0	3.25	31.8/7227	41.6	1.44
C212AHL	C2062H		22.23									2.07
C216A	C2080	50.80	15.88	15.75	7.92	32.7	36.5	24.0	3.25	56.7/12886	65.7	2.08
C216AL	C2082		28.58									3.12
C216AH	C2080H	50.80	15.88	15.75	7.92	36.2	39.4	24.0	4.00	56.7/12886	70.0	2.54
C216AHL	C2082H		28.58									3.58
C220A	C2100	63.50	19.05	18.90	9.53	40.4	44.7	30.0	4.00	88.5/20114	102.6	3.01
C220AL	C2102		39.67									4.83
C220AH	C2100H	63.50	19.05	18.90	9.53	43.6	46.9	30.0	4.80	88.5/20114	112.4	3.56
C220AHL	C2102H		39.67									5.38
C224A	C2120	76.20	22.23	25.22	11.10	50.3	54.3	35.7	4.80	127.0/28864	147.3	4.66
C224AL	C2122		44.45									7.66
C224AH	C2120H	76.20	22.23	25.22	11.10	53.5	57.5	35.7	5.60	127.0/28864	160.9	5.26
C224AHL	C2122H		44.45									8.26
C232A	C2160	101.60	28.58	31.75	14.27	64.8	69.6	47.8	6.40	226.8/51545	278.9	8.15
C232AL	C2162		57.15									13.00
C232AH	C2160H	101.60	28.58	31.75	14.27	68.2	73.0	47.8	7.20	226.8/51545	285.8	9.06
C232AHL	C2162H		57.15									13.84

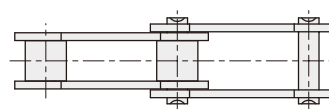
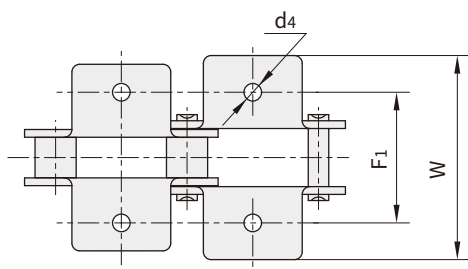
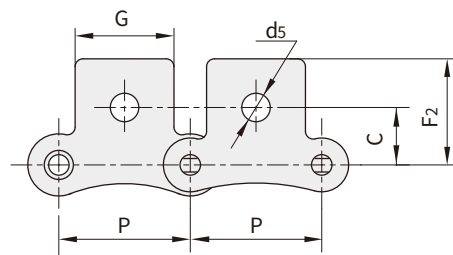
## 双节距输送链附件 Double pitch conveyor chain attachments

双节距输送链附件 Double pitch conveyor chain attachments

K-1



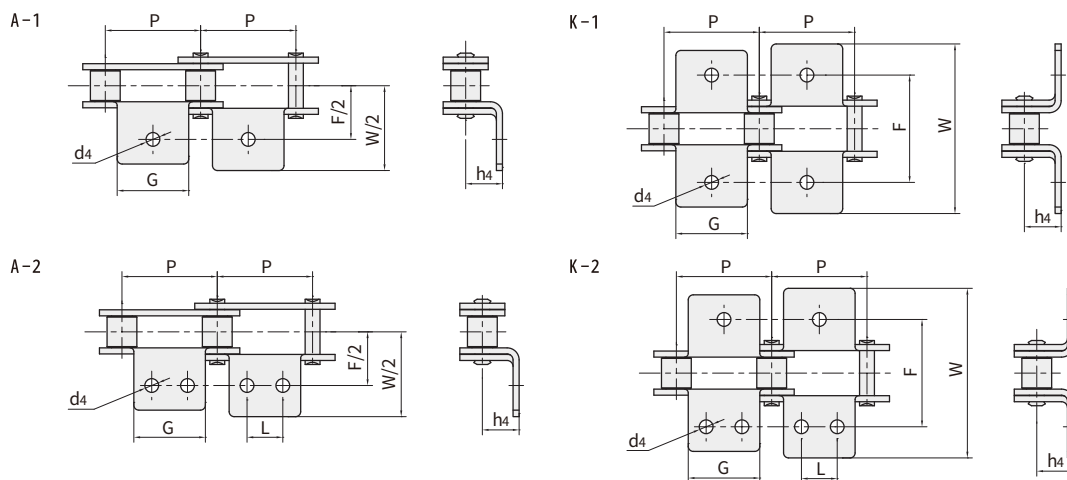
SK-1



链号 DIN/ISO	链号 ANSI	P	G	F1	W	h4	d4	C	F2	d5
DIN/ISO Chain No.	ANSI Chain No.	mm	mm	mm	mm	mm	mm	mm	mm	mm
208A	2040	25.40	19.1	25.4	39.6	9.1	3.4	11.1	20.5	5.5
210A	2050	31.75	23.8	31.8	49.0	11.1	5.5	14.3	25.0	6.6
212A	2060	38.10	28.6	42.9	67.8	14.7	5.5	17.5	32.9	9.2
216A	2080	50.80	38.1	55.6	87.8	19.1	6.8	22.2	43.5	11.0
220A	2100	63.50	47.6	66.6	107.5	23.4	9.2	28.6	50.4	13.0
224A	2120	76.20	57.2	79.3	121.4	27.8	10.5	33.3	55.5	15.0
208B		25.40	23.2	25.4	39.6	9.1	4.5	11.1	20.5	5.5
210B		31.75	23.8	31.8	49.0	11.1	5.5			
212B		38.10	35.0	38.1	57.0	14.7	6.6			
216B		50.80	44.0	50.8	84.0	19.1	6.6			
220B		63.50	52.0	63.5	104.0	23.4	8.4			
224B		76.20	60.0	76.2	120.0	27.8	10.5			

## 双节距输送链附件 Double pitch conveyor chain attachments

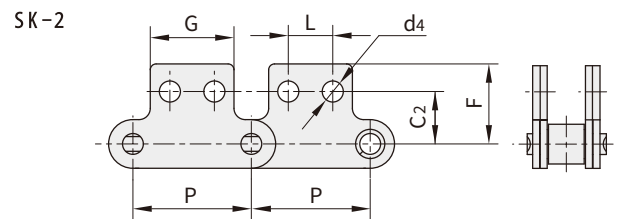
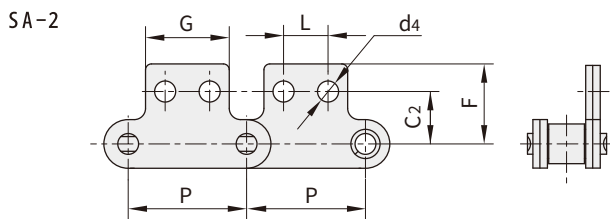
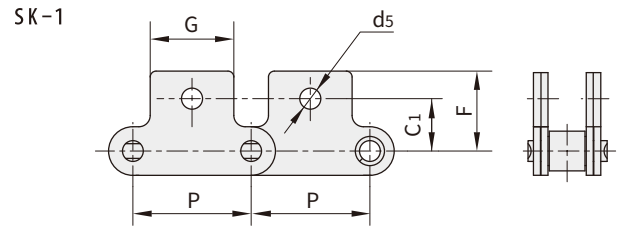
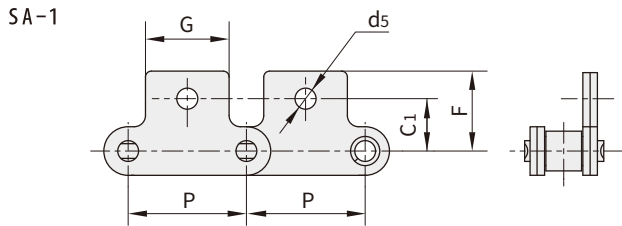
双节距输送链附件 Double pitch conveyor chain attachments



链号 ISO	链号 ANSI	P	G	L	F	W	h4	d4
ISO Chain No.	ANSI Chain No.	mm	mm	mm	mm	mm	mm	mm
C208A C208AL	C2040 C2042	25.40	19.1	9.5	25.4	39.6	9.1	3.4
C208B C208BL		25.40	23.2	12.7	25.4	39.6	9.1	4.5
C210A C210AL	C2050 C2052	31.75	23.8	11.9	31.8	49.0	11.1	5.5
C212A C212AL	C2060 C2062	38.10	28.6	14.3	42.9	67.8	14.7	5.5
C212AH C212AHL	C2060H C2062H	38.10	28.6	14.3	42.9	67.8	14.7	5.5
C216A C216AL	C2080 C2082	50.80	38.1	19.1	55.6	87.8	19.1	6.8
C216AH C216AHL	C2080H C2082H	50.80	38.1	19.1	55.6	87.8	19.1	6.8
C220A C220AL	C2100 C2102	63.50	47.6	23.8	66.6	107.5	23.4	9.2
C220AH C220AHL	C2100H C2102H	63.50	47.6	23.8	66.6	107.5	23.4	9.2
C224A C224AL	C2120 C2122	76.20	57.2	28.6	79.3	121.4	27.8	11.0
C224AH C224AHL	C2120H C2122H	76.20	57.2	28.6	79.3	121.4	27.8	11.0
C232A C232AL	C2160 C2162	101.60	76.2	38.1	104.7	151.6	36.5	13.1
C232AH C232AHL	C2160H C2162H	101.60	76.2	38.1	104.7	151.6	36.5	13.1

## 双节距输送链附件 Double pitch conveyor chain attachments

双节距输送链附件 Double pitch conveyor chain attachments

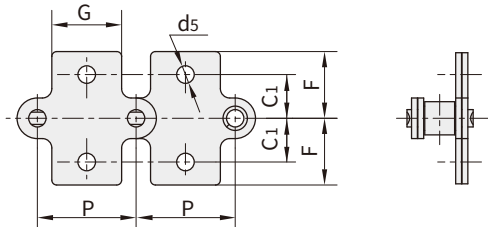


链号 ISO	链号 ANSI	P	G	L	C1	C2	F	d4	d5
ISO Chain No.	ANSI Chain No.	mm	mm	mm	mm	mm	mm	mm	mm
C208A C208AL	C2040 C2042	25.40	19.10	9.50	11.1	13.50	20.5	3.4	5.50
C208B C208BL		25.40	23.20	12.70	11.1	13.50	20.5	4.5	5.50
C210A C210AL	C2050 C2052	31.75	23.80	11.90	14.3	15.90	25.0	5.5	6.60
C212A C212AL	C2060 C2062	38.10	28.60	14.30	17.5	19.10	32.9	5.5	9.20
C212AH C212AHL	C2060H C2062H	38.10	28.60	14.30	17.5	19.10	32.9	5.5	9.20
C216A C216AL	C2080 C2082	50.80	38.10	19.10	22.2	25.40	43.5	6.6	11.00
C216AH C216AHL	C2080H C2082H	50.80	38.10	19.10	22.2	25.40	43.5	6.6	11.00
C220A C220AL	C2100 C2102	63.50	47.60	23.80	28.6	31.80	50.4	8.4	13.00
C220AH C220AHL	C2100H C2102H	63.50	47.60	23.80	28.6	31.80	50.4	8.4	13.00

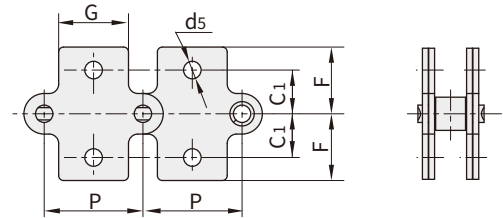
## 双节距输送链附件 Double pitch conveyor chain attachments

双节距输送链附件 Double pitch conveyor chain attachments

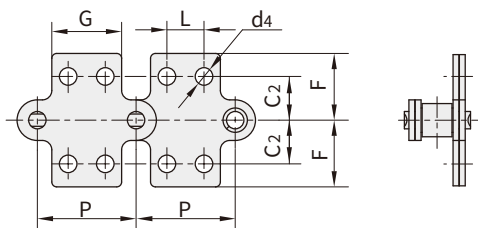
SAA-1



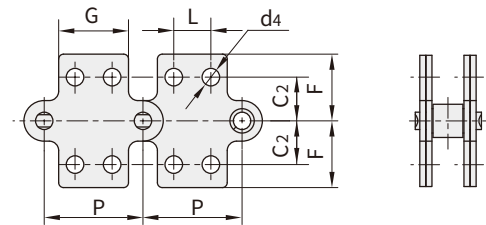
SKK-1



SAA-2



SKK-2

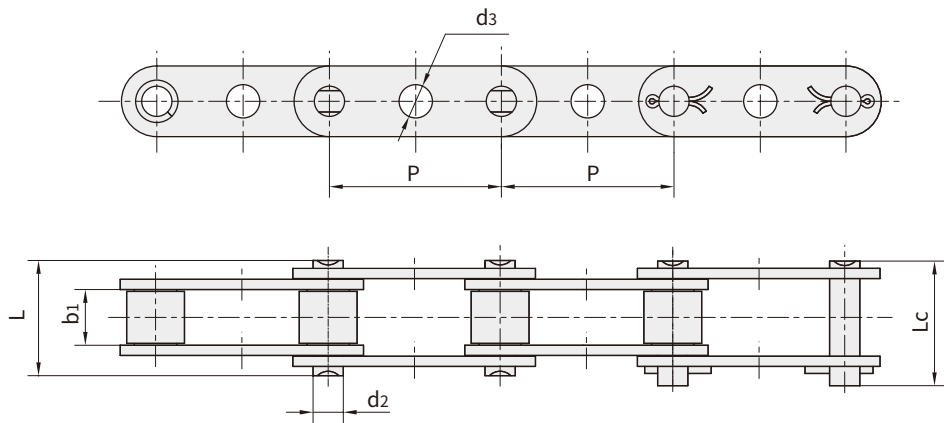


链号 ISO	链号 ANSI	P	G	L	C1	C2	F	d4	d5
ISO Chain No.	ANSI Chain No.	mm	mm	mm	mm	mm	mm	mm	mm
C208A C208AL	C2040 C2042	25.40	19.1	9.5	11.1	13.5	20.5	3.4	5.5
C208B C208BL		25.40	23.2	12.7	11.1	13.5	20.5	4.5	5.5
C210A C210AL	C2050 C2052	31.75	23.8	11.9	14.3	15.9	25.0	5.5	6.6
C212A C212AL	C2060 C2062	38.10	28.6	14.3	17.5	19.1	32.9	5.5	9.2
C212AH C212AHL	C2060H C2062H	38.10	28.6	14.3	17.5	19.1	32.9	5.5	9.2
C216A C216AL	C2080 C2082	50.80	38.1	19.1	22.2	25.4	43.5	6.6	11.0
C216AH C216AHL	C2080H C2082H	50.80	38.1	19.1	22.2	25.4	43.5	6.6	11.0

## 双节距输送链特殊附件 Double pitch conveyor chain special attachments

双节距输送链特殊附件 Double pitch conveyor chain special attachments

GK-1

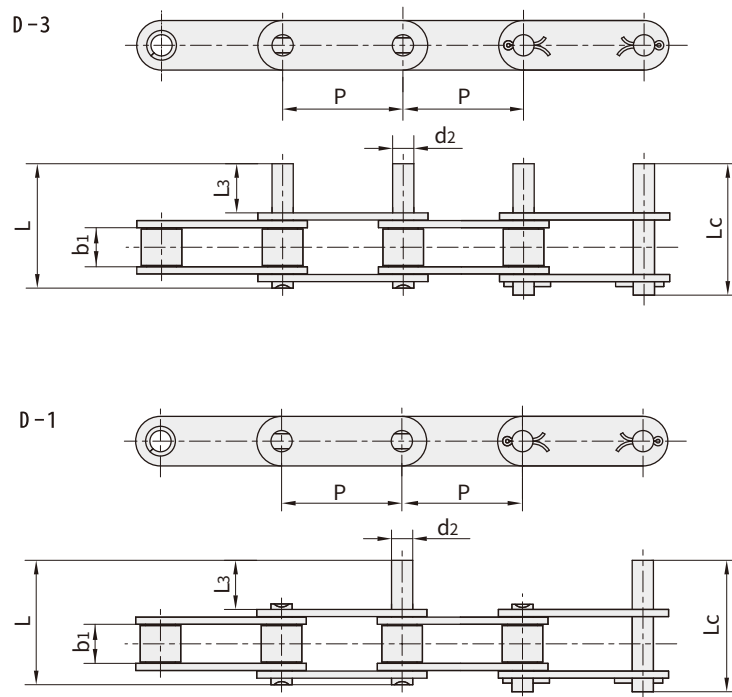


链号 ISO	链号 ANSI	P	b1	d2	d3	L	Lc
ISO Chain No.	ANSI Chain No.	mm	mm	mm	mm	mm	mm
C208A	C2040	25.40	7.85	3.96	4.1	16.6	18.8
C208AL	C2042						
C210A	C2050	31.75	9.40	5.08	5.1	20.7	23.3
C210AL	C2052						
C212A	C2060	38.10	12.57	5.94	6.1	25.9	28.3
C212AL	C2062						
C212AH	C2060H	38.10	12.57	5.94	6.1	29.2	31.6
C212AHL	C2062H						
C216A	C2080	50.80	15.75	7.92	8.1	32.7	36.5
C216AL	C2082						
C216AH	C2080H	50.80	15.75	7.92	8.1	36.2	39.4
C216AHL	C2082H						
C220A	C2100	63.50	18.90	9.53	10.1	40.4	44.7
C220AL	C2102						
C220AH	C2100H	63.50	18.90	9.53	10.1	43.6	46.9
C220AHL	C2102H						



## 双节距加长销输送链 Double pitch conveyor chain with extended pins

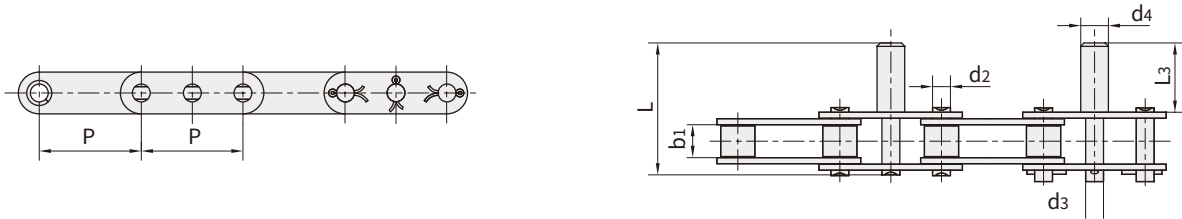
双节距加长销输送链 Double pitch conveyor chain with extended pins



链号 ISO	链号 ANSI	P	b1	d2	L3	L	Lc
ISO Chain No.	ANSI Chain No.	mm	mm	mm	mm	mm	mm
C208A C208AL	C2040 C2042	25.40	7.85	3.96	9.5	25.1	26.2
C210A C210AL	C2050 C2052	31.75	9.40	5.08	11.9	31.3	33.1
C212A C212AL	C2060 C2062	38.10	12.57	5.94	14.3	38.6	40.6
C212AH C212AHL	C2060H C2062H	38.10	12.57	5.94	14.3	42.0	43.8
C216A C216AL	C2080 C2082	50.80	15.75	7.92	19.1	50.3	53.3
C216AH C216AHL	C2080H C2082H	50.80	15.75	7.92	19.1	53.5	55.0
C220A C220AL	C2100 C2102	63.50	18.90	9.53	23.8	61.8	66.1
C220AH C220AHL	C2100H C2102H	63.50	18.90	9.53	23.8	65.0	68.3
C224AH C224AHL	C2120H C2122H	76.20	25.22	11.10	28.6	79.6	83.6
C232AH C232AHL	C2160H C2162H	101.60	31.75	14.27	38.1	103.0	107.8

## 双节距加长销输送链 Double pitch conveyor chain with extended pins

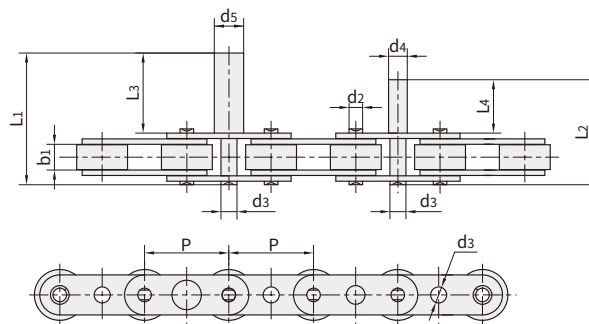
双节距加长销输送链 Double pitch conveyor chain with extended pins



链号 ISO	P	b1	d2	d3	d4	L3	L
ISO Chain No.	mm	mm	mm	mm	mm	mm	mm
C2052F2	31.75	9.40	5.08	6.00	7.0	20.0	39.8
C2052F14	31.75	9.40	5.08	6.00	7.0	21.0	40.4
C2062-D39	38.10	12.57	5.94	5.94	13.3	32.2	56.6
C2060HF9	38.10	12.57	5.94	7.95	12.7	41.3	69.3

## 双节距加长销输送链 Double pitch conveyor chain with extended pins

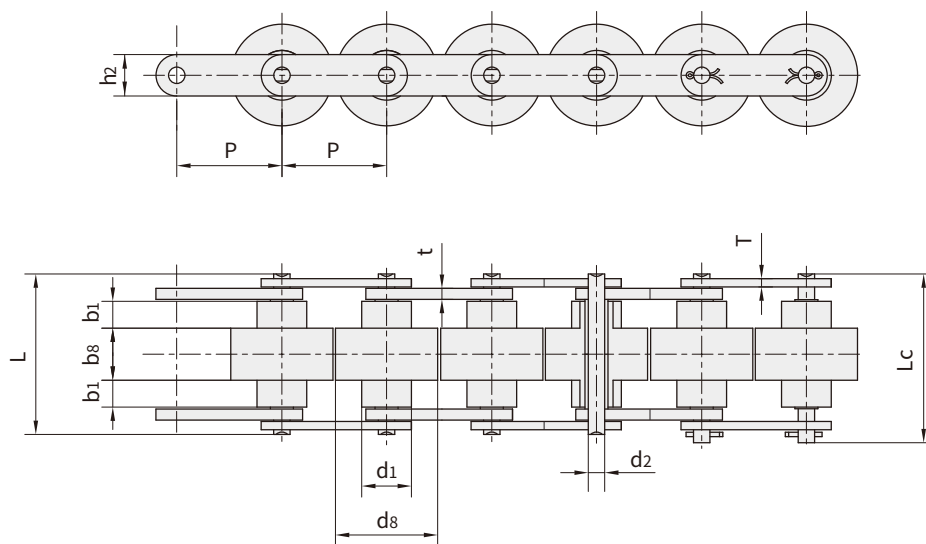
双节距加长销输送链 Double pitch conveyor chain with extended pins



链号 Bison	P	b1	d2	d3	d4	d5	L3	L1	L4	L2
Bison Chain No.	mm	mm	mm	mm	mm	mm	mm	mm	mm	mm
C2052F1	31.75	9.40	5.08	6.27	7.13	11.10	28.45	48.35	19.80	39.70
C2062F1	38.10	12.57	5.94	8.71	11.10	12.70	32.50	60.40	25.40	53.30

## 倍速链 Double plus chain

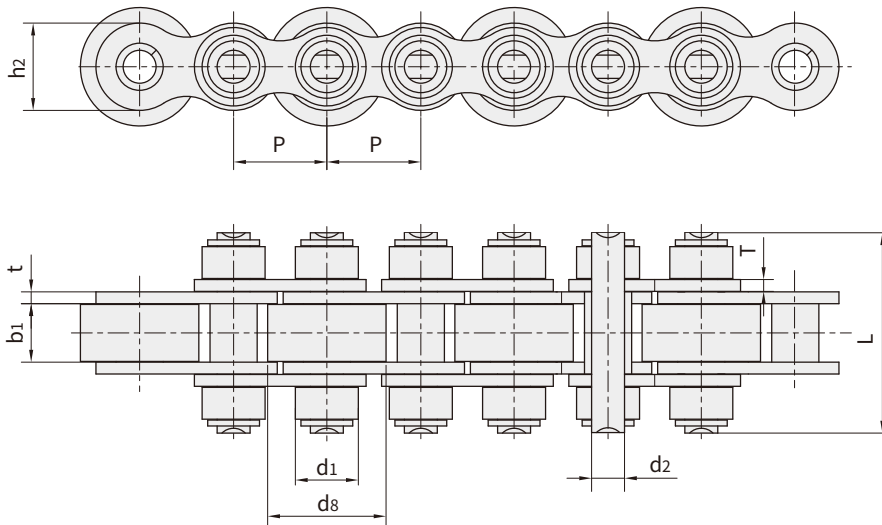
倍速链 Double plus chain



JB 型号	链号 Bison	节距 Pitch	滚子尺寸 Roller diameter				销轴直径 Pin diameter	销轴长度 Pin length		链板尺寸 Plate dimension			每米长重 Weight per meter
			$d_1$ max	$d_8$ max	$b_1$ min	$b_8$ max		$L$ max	$L_c$ max	$h_2$ max	$T$ max	$t$ max	
JB ChainNo.	Bison Chain No.	P	mm	mm	mm	mm	mm	mm	mm	mm	mm	mm	kg/m
BS25-C206B	C2030W	19.05	11.91	18.3	4.00	8.0	3.28	24.0	25.6	8.20	1.30	1.50	0.52
BS25-C208A	C2040W	25.40	15.88	24.6	5.70	10.3	3.96	31.0	32.8	11.70	1.50	1.50	0.79
BS25-C210A	C2050W	31.75	19.05	30.6	7.10	13.0	5.08	39.5	41.2	15.00	2.03	2.03	1.36
BS25-C212A	C2060HW	38.10	22.23	36.6	8.50	15.5	5.94	48.8	51.5	18.00	3.25	3.25	2.19
BS25-C216A	C2080W	50.80	28.58	49.0	11.00	21.5	7.92	66.2	70.0	24.00	4.00	5.00	4.06
BS30-C206B		19.05	9.00	18.3	4.50	9.1	3.28	26.3	29.6	7.28	1.30	1.50	0.50
BS30-C208A		25.40	11.91	24.6	6.10	12.5	3.96	35.6	39.5	9.60	1.50	2.00	0.83
BS30-C210A		31.75	14.80	30.6	7.50	15.0	5.08	43.0	47.1	12.20	2.00	2.40	1.27
BS30-C212A		38.10	18.00	37.0	9.75	20.0	5.94	58.1	62.7	15.00	3.00	4.00	2.14
BS30-C216A		50.80	22.23	49.0	12.00	25.2	7.92	71.9	77.3	18.60	4.00	5.00	3.55

## 带大滚轮输送链 Conveyor chain with large rollers

带大滚轮输送链 Conveyor chain with large rollers



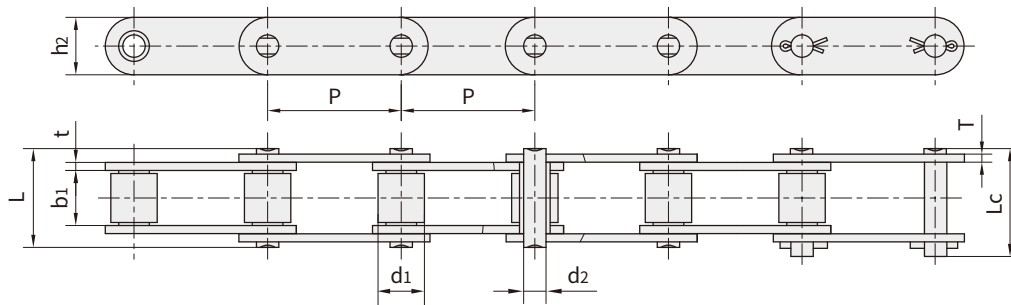
链号 Bison	节距 Pitch	滚子直径 Roller diameter		内节内宽 Width between inner plates	销轴直径 Pin diameter	销轴长度 Pin length	链板尺寸 Plate dimension		极限拉伸载荷 Ultimate tensile strength	平均拉伸载荷 Average tensile strength
		d1 max	d8 max				b1 min	d2 max		
Bison Chain No.	P	mm	mm	mm	mm	mm	mm	mm	kN/lbf	kN
08BS-27-P16/C16	12.70	8.51	16.0	7.75	4.45	27.0	11.8	1.60/1.50	18.0/4091	19.8
12BS	19.05	12.07	28.0	11.68	5.72	45.0	16.0	1.85	28.9/6568	31.7
12BS-40-P28/C28	19.05	12.07	28.0	11.68	5.72	40.0	16.0	1.85	29.0/6591	31.7
12BS-43-P26/C26	19.05	12.07	26.0	11.68	5.72	43.0	16.0	1.85	29.0/6591	31.7
12BS-43-P28/C28	19.05	12.07	28.0	11.68	5.72	43.0	16.0	1.85	29.0/6591	31.7
12BS-48-P24/C24	19.05	12.07	24.0	11.68	5.72	48.0	16.0	1.85	29.0/6591	31.7
12BS-48-P26/C26	19.05	12.07	26.0	11.68	5.72	48.0	16.0	1.85	29.0/6591	31.7
12BS-48-P28/C28	19.05	12.07	28.0	11.68	5.72	48.0	16.0	1.85	29.0/6591	31.7
12BS-58-P28/C28	19.05	12.70	28.0	11.68	5.72	58.0	16.0	1.85	29.0/6591	31.7
16BS-65-P38/C38	25.40	15.88	38.0	17.02	8.28	65.0	21.0	4.15/3.10	60.0/13636	72.8
100SF1-85-C45	31.75	19.05	45.0	25.50	9.53	85.0	30.0	4.00	86.7/19490	104.0
212BS-43-P48	38.10	12.07	48.0	11.68	5.72	43.0	16.0	1.85	28.9/6568	31.7

注：P 表示滚子材料为塑料，C 表示滚子材料为钢

Note: P means roller made in plastic, C means roller made in steel

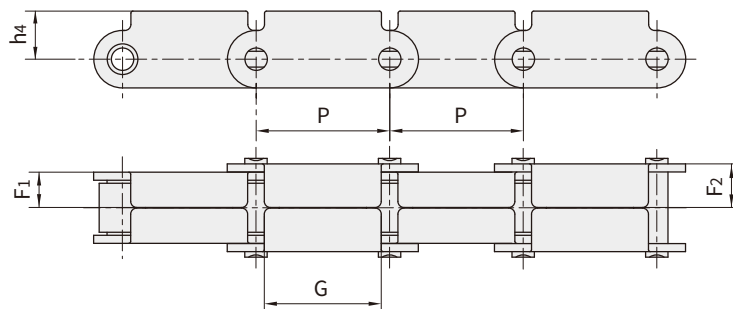
## 木材输送链及附件 Lumber conveyor chain & attachments

木材输送链及附件 Lumber conveyor chain & attachments



链号 Bison	节距 Pitch	滚子直径 Roller diameter	内节内宽 Width between inner plates	销轴直径 Pin diameter	销轴长度 Pin length		内链板高度 Innerplate depth	链板厚度 Plate thickness	极限拉伸载荷 Ultimate tensile strength	平均拉伸载荷 Average tensile strength	每米长重 Weight per meter
Bison Chain No.	P	d <sub>1</sub> max	b <sub>1</sub> min	d <sub>2</sub> max	L max	Lc max	h <sub>2</sub> max	T max	Q min	Q0	q
	mm	mm	mm	mm	mm	mm	mm	mm	kN/lbf	kN	kg/m
81X	66.27	23.00	27.00	11.10	49.0	53.5	28.50	4.00	106.7/24250	128.9	3.78
81XH	66.27	23.00	27.78	11.10	60.7	65.1	31.35	7.94/5.55	151.9/34523	175.7	5.88
81XHH	66.27	23.00	27.78	11.10	65.6	70.0	31.35	7.94	191.1/43432	212.6	6.70
81XHS	66.27	23.00	27.00	11.10	63.6	68.0	31.80	7.60	152.0/34545	177.2	6.55

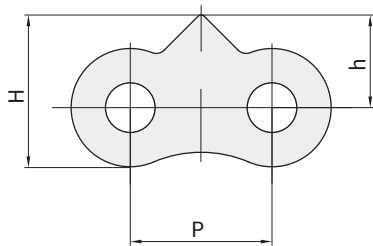
木材输送链及附件 Lumber conveyor chain & attachments



链号 Bison	P	F1	F2	G	h4
Bison Chain No.	mm	mm	mm	mm	mm
81XF1(RT)	66.27	17.5	21.8	58.0	23.85

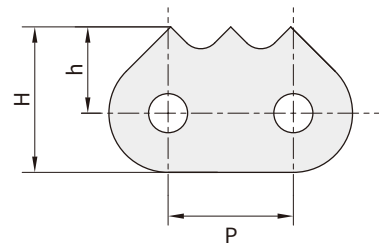
## 尖齿链 Sharp top chain

尖齿链 Sharp top chain



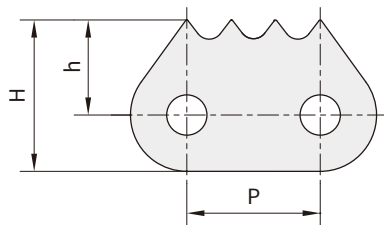
链号 Bison	P	h	H
Bison Chain No.	mm	mm	mm
12AF1	19.05	14.15	21.95
16AF1	25.40	16.60	26.85

尖齿链 Sharp top chain



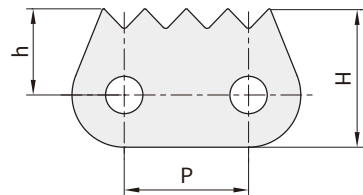
链号 Bison	P	h	H
Bison Chain No.	mm	mm	mm
C16A-3PEP	25.4	17.4	

尖齿链 Sharp top chain



链号 Bison	P	h	H
Bison Chain No.	mm	mm	mm
C16A-1170	25.40	16.5	28.0
16B-1170	25.40	16.0	26.5
16B-1172	25.40	15.0	25.5

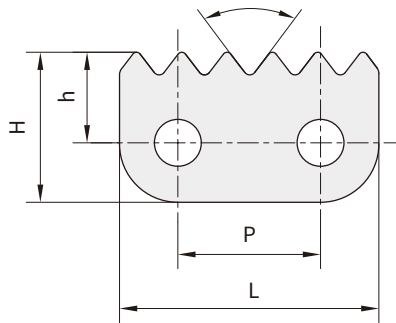
尖齿链 Sharp top chain



链号 Bison	P	h	H
Bison Chain No.	mm	mm	mm
12BF1	19.05	13.2	21.2

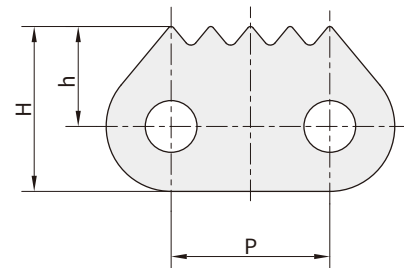
## 尖齿链 Sharp top chain

尖齿链 Sharp top chain



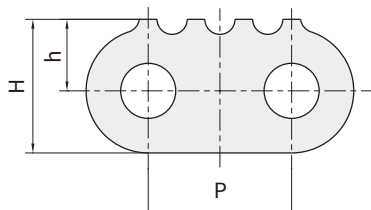
链号 Biosn	P	L		H	
Biosn Chain No.	mm	mm	mm	mm	mm
16B-1185	25.40	46.0	16.0	26.5	75°

尖齿链 Sharp top chain



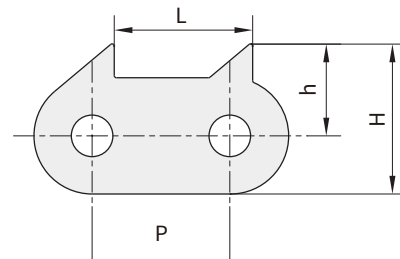
链号 Biosn	P	h	H
Biosn Chain No.	mm	mm	mm
C16A-5PEP	25.40	17.40	29.00
C16A-5PEPF1	25.40	17.30	29.50
C24B-1831	38.10	22.50	39.00

尖齿链 Sharp top chain



链号 Biosn	P	h	H
Biosn Chain No.	mm	mm	mm
24B-1810	38.1	19	35.5
24A-1802	38.1	21	38.5

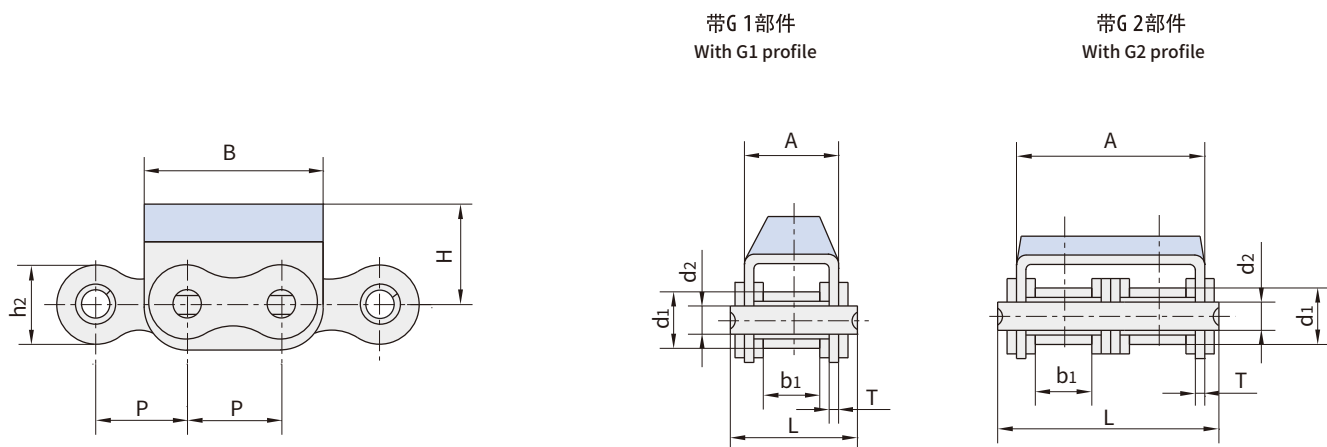
尖齿链 Sharp top chain



链号 Biosn				L
Biosn Chain No.	mm	mm	mm	mm
C16B-1160	25.40	10.50	27.50	25.40
C16B-1161	25.40	17.00	27.50	25.40
C16A-1160	25.40	18.00	29.50	25.40

## 橡胶链 Roller chain with vulcanised elastomer profiles

橡胶链 Roller chain with vulcanised elastomer profiles



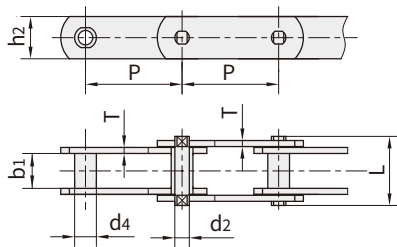
链号 Bison	节距 Pitch	滚子直径 Roller diameter	内节内宽 Width between inner plates	销轴直径 Pin diameter	销轴长度 Pin length	链板尺寸 Plate dimension					极限拉伸载荷 Ultimate tensile strength	每米长重 Weight per meter
Bison Chain No.	P	d <sub>1</sub> max	b <sub>1</sub> min	d <sub>2</sub> max	L max	h <sub>2</sub> max	A	B	H	T	Q min	q
	mm	mm	mm	mm	mm	mm	mm	mm	mm	mm	kN/lbf	kg/m
08B-G1	12.700	8.51	7.75	4.45	20.0	11.80	14.60	24.20	12.3	1.60	18.0/4091	1.19
08B-G2	12.700	8.51	7.75	4.45	34.3	11.80	28.40	24.20	12.3	1.50	32.0/7273	2.07
10A-G1	15.875	10.16	9.40	5.08	24.5	15.09	17.50	31.00	17.0	1.60	21.8/4953	1.70
10B-G1	15.875	10.16	9.65	5.08	23.2	14.70	16.80	30.00	17.0	1.60	19.0/4318	1.62
10B-G2	15.875	10.16	9.65	5.08	39.7	14.70	33.30	30.00	17.0	1.50	44.5/10004	2.56
12B-G1	19.050	12.07	11.68	5.72	25.7	16.00	19.60	36.00	21.0	1.85	29.0/6591	2.01
12B-G2	19.050	12.07	11.68	5.72	45.3	16.00	39.10	36.00	16.0	1.85	57.8/13136	3.21
12A-G1	19.050	11.91	12.57	5.94	29.9	18.00	21.40	37.05	21.0	1.85	31.8/7153	2.55
12A-G2	19.050	11.91	12.57	5.94	52.9	18.00	44.50	37.05	21.0	1.85	62.3/14005	4.25
16A-G1	25.400	15.88	15.75	7.92	37.2	24.00	27.50	46.00	20.0	2.42	42.0/9545	3.97
16A-G2	25.400	15.88	15.75	7.92	68.0	24.00	57.20	46.00	20.0	2.42	84/18896	7.27
16B-G1	25.400	15.88	17.02	8.28	39.7	21.00	29.10	49.00	21.4	1.60	60.0/	3.95
20A-G1	31.750	19.05	18.90	9.53	46.8	30.00	34.00	57.60	28.0	3.10	86.7/19503	6.15
20B-G1	31.750	19.05	19.56	10.19	48.0	26.40	36.00	57.00	27.0	3.50	85.0/19318	6.19
24B-G1	38.100	25.40	25.40	14.63	61.6	33.20	47.00	72.60	34.0	4.50	160.0/36363	11.25



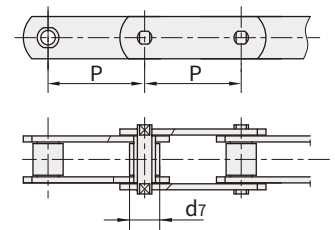
## M系列输送链 Conveyor chain (M series)

M系列输送链 Conveyor chain (M series)

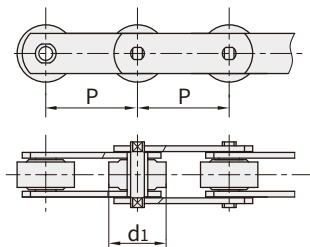
1. 无滚子  
1. without rollers



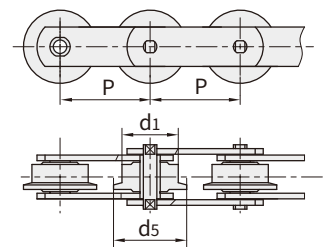
2. 带S型小滚子  
2. with S small rollers type



3. 带P型大滚子  
3. with P large rollers type



4. 带F型滚子  
4. with F flanged rollers type



链号 ISO	节距 Pitch								滚子直径 Roller diameter			套筒直径 Roller diameter
	P								d1 max	d7 max	d5 max	d4 max
ISO Chain No.	mm								mm	mm	mm	mm
M20	*40.0	50.0	63.0	80.0	100.0	125.0	160.0		25.0	12.5	32.0	9.0
M28	*50.0	63.0	80.0	100.0	125.0	160.0	200.0		30.0	15.0	36.0	10.0
M40	63.0	80.0	100.0	125.0	160.0	200.0	250.0		36.0	18.0	42.0	12.5
M56	*63.0	80.0	100.0	125.0	160.0	200.0	250.0		42.0	21.0	50.0	15.0
M80	80.0	100.0	125.0	160.0	200.0	250.0	315.0		50.0	25.0	60.0	18.0
M112	*80.0	100.0	125.0	160.0	200.0	250.0	315.0	400.0	60.0	30.0	70.0	21.0
M160	*100.0	125.0	160.0	200.0	250.0	315.0	400.0	500.0	70.0	36.0	85.0	25.0
M224	*125.0	160.0	200.0	250.0	315.0	400.0	500.0	630.0	85.0	42.0	100.0	30.0
M315	*160.0	200.0	250.0	315.0	400.0	500.0	630.0		100.0	50.0	120.0	36.0
M450	200.0	250.0	315.0	400.0	500.0	630.0	800.0		120.0	60.0	140.0	42.0

## M系列输送链 Conveyor chain (M series)

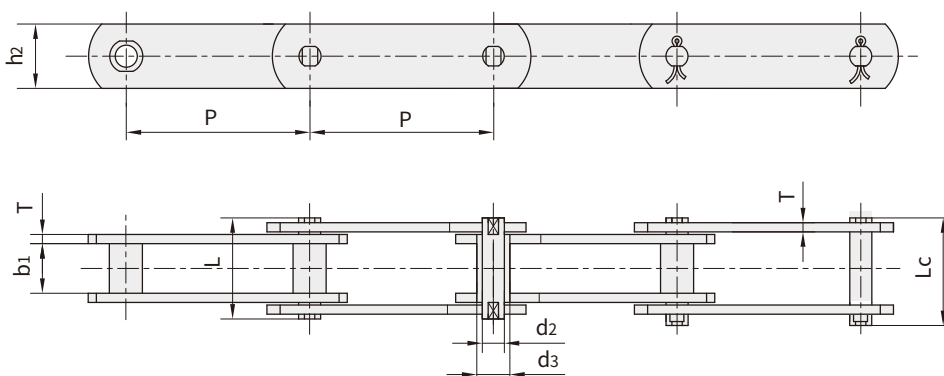
M系列输送链 Conveyor chain (M series)

链号 ISO	内节内宽 Width between inner plates	销轴直径 Pin diameter	销轴长度 Pin length	链板高度 Plate depth	链板厚度 Plate thickness	极限拉伸载荷 Ultimate tensile strength	平均拉伸载荷 Average tensile strength
ISO Chain No.	b <sub>1</sub> min	d <sub>2</sub> max	L max	h <sub>2</sub> max	T max	Q min	Q <sub>0</sub>
	mm	mm	mm	mm	mm	kN/lbf	kN
M20	16.0	6.0	35.0	19.0	2.5	20.0/4545	25.0
M28	18.0	7.0	40.0	21.0	3.0	28.0/6364	35.0
M40	20.0	8.5	45.0	26.0	3.5	40.0/9091	50.0
M56	24.0	10.0	52.0	31.0	4.0	56.0/12727	70.0
M80	28.0	12.0	62.0	36.0	5.0	80.0/18182	100.0
M112	32.0	15.0	73.0	41.0	6.0	112.0/25454	140.0
M160	37.0	18.0	85.0	51.0	7.0	160.0/36364	200.0
M224	43.0	21.0	98.0	62.0	8.0	224.0/50909	280.0
M315	48.0	25.0	112.0	72.0	10.0	315.0/71591	393.7
M450	56.0	30.0	135.0	82.0	12.0	450.0/102272	562.5

\*链条仅有套筒和小滚子  
\*Chain has bush and small roller only

## FV系列输送链 Conveyor chain (FV series)

FV系列输送链 Conveyor chain (FV series)

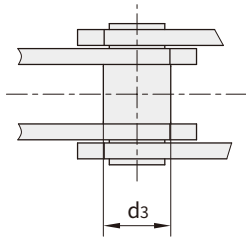


链号 DIN	节距 Pitch							滚子直径 Roller diameter					套筒直径 Roller diameter
	P							d1 max	d4 max	d5 max	d6 max	G	d3 max
DIN Chain No.	mm							mm	mm	mm	mm	mm	mm
FV40	50.0	63.0	80.0	100.0	125.0	-	-	32.0	20.0	40.0	50.0	4.0	15.0
FV63	50.0	63.0	80.0	100.0	125.0	160.0	-	40.0	26.0	50.0	63.0	5.0	18.0
FV90	63.0	80.0	100.0	125.0	160.0	200.0	250.0	48.0	30.0	63.0	78.0	6.5	20.0
FV112	80.0	100.0	125.0	160.0	200.0	250.0	-	55.0	32.0	72.0	90.0	7.5	22.0
FV140	63.0	100.0	125.0	160.0	200.0	250.0	-	60.0	36.0	80.0	100.0	9.0	26.0
FV180	100.0	125.0	160.0	200.0	250.0	315.0	-	70.0	42.0	100.0	125.0	13.0	30.0
FV250	125.0	160.0	200.0	250.0	315.0	400.0	-	80.0	50.0	125.0	155.0	15.0	36.0
FV315	160.0	200.0	250.0	315.0	400.0	-	-	90.0	60.0	140.0	175.0	18.0	42.0

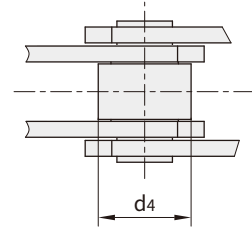
## FV系列输送链 Conveyor chain (FV series)

FV系列输送链 Conveyor chain (FV series)

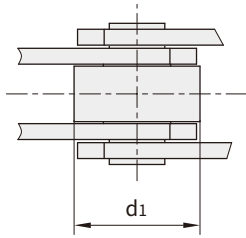
无滚子  
without rollers



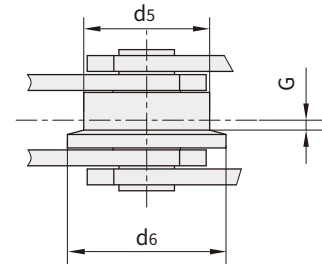
带S型小滚子  
with S small rollers type



带P型大滚子  
with P large rollers type



带F型滚子  
with F flanged rollers type



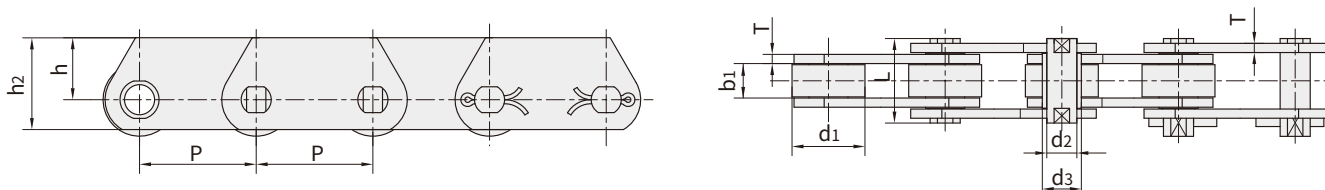
链号 DIN	内节内宽 Width between inner plates	销轴直径 Pin diameter	销轴长度 Pin length		链板高度 Plate depth	链板厚度 Plate thickness	极限拉伸载荷 Ultimate tensile strength	
			L min	Lc max			Q min	*Q min
DIN Chain No.	b1 min mm	d2 max mm	mm	mm	h2 max mm	T max mm	kN/lbf	kN/lbf
FV40	18.0	10.0	36.0	39.0	25.0	3.0	40.0/9091	47.0/10681
FV63	22.0	12.0	45.0	48.5	30.0	4.0	63.0/14317	75.0/17045
FV90	25.0	14.0	53.0	56.5	35.0	5.0	90.0/20453	115.0/26136
FV112	30.0	16.0	62.0	66.0	40.0	6.0	112.0/25452	170.0/38636
FV140	35.0	18.0	67.0	71.5	45.0	6.0	140.0/31815	180.0/40908
FV180	45.0	20.0	86.0	92.0	50.0	8.0	180.0/40908	250.0/56817
FV250	55.0	26.0	97.0	103.5	60.0	8.0	250.0/56817	300.0/68181
FV315	65.0	30.0	113.0	126.5	70.0	10.0	315.0/71591	480.0/109089

\*Q 表示热处理后的极限拉伸载荷

\*Q Q denotes the ultimate tensile strength after hardened

## MT系列输送链 Conveyor chain (MT series)

### MT系列输送链 Conveyor chain (MT series)



链号 DIN	节距 Pitch					滚子直径 Roller diameter	销轴直径 Pin diameter	套筒直径 Roller diameter	链板厚度 Plate thickness
DIN Chain No.	P					d <sub>1</sub> max	d <sub>2</sub> max	d <sub>3</sub> max	T max
	mm					mm	mm	mm	mm
MT20	40.0	50.0	63.0	80.0	100.0	25.0	6.0	9.0	2.5
MT28	50.0	63.0	80.0	100.0	125.0	30.0	7.0	10.0	3.0
MT40	63.0	80.0	100.0	125.0	160.0	36.0	8.5	12.5	3.5
MT56	63.0	80.0	100.0	125.0	160.0	42.0	10.0	15.0	4.0
MT80	80.0	100.0	125.0	160.0	200.0	50.0	12.0	18.0	5.0
MT112	80.0	100.0	125.0	160.0	200.0	60.0	15.0	21.0	6.0
MT160	100.0	125.0	160.0	200.0	250.0	70.0	18.0	25.0	7.0
MT224	125.0	160.0	200.0	250.0	315.0	85.0	21.0	30.0	8.0
MT315	160.0	200.0	250.0	315.0	400.0	100.0	25.0	36.0	10.0
MT450	200.0	250.0	315.0	400.0	500.0	120.0	30.0	42.0	12.0

### MT系列输送链 Conveyor chain (MT series)

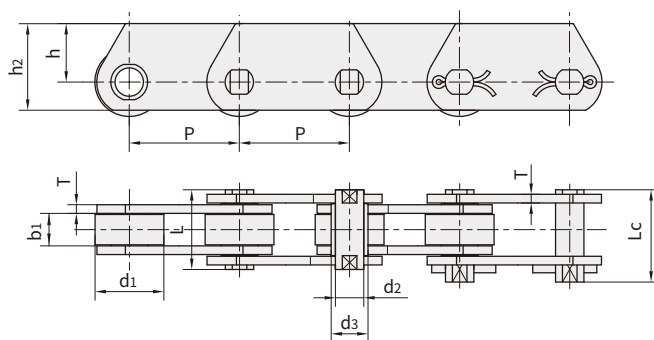
链号 DIN	内节内宽 Width between inner plates	销轴长度 Pin length	链板高度 Plate depth		极限拉伸载荷 Ultimate tensile strength	
DIN Chain No.	b <sub>1</sub> min	L min	h <sub>2</sub> max	h max	Q min	*Q min
	mm	mm	mm	mm	kN/lbf	kN/lbf
MT20	16.0	35.0	25.0	16.0	20.0/4545	32.0/7270
MT28	18.0	40.0	30.0	20.0	28.0/6364	42.0/9545
MT40	20.0	45.0	35.0	22.5	40.0/9091	60.0/13635
MT56	24.0	52.0	45.0	30.0	56.0/12727	85.0/19318
MT80	28.0	62.0	50.0	32.5	80.0/18182	125.0/28408
MT112	32.0	73.0	60.0	40.0	112.0/25454	175.0/39768
MT160	37.0	85.0	70.0	45.0	160.0/36364	260.0/59090
MT224	43.0	98.0	90.0	60.0	224.0/50909	340.0/77272
MT315	48.0	112.0	100.0	65.0	315.0/71591	520.0/118180
MT450	56.0	135.0	120.0	80.0	450.0/102272	700.0/159089

\*Q 表示热处理后的极限拉伸载荷

\*Q denotes the ultimate tensile strength after hardened

## FVT系列输送链 Conveyor chain (FVT series)

### FVT系列输送链 Conveyor chain (FVT series)



链号 DIN	节距 Pitch								滚子直径 Roller diameter	销轴直径 Pin diameter	套筒直径 Roller diameter	链板厚度 Plate thickness
DIN Chain No.	P								$d_1$ max	$d_2$ max	$d_3$ max	T max
	mm								mm	mm	mm	mm
FVT40	50.0	63.0	80.0	100.0	125.0	-	-	32.0	10.0	15.0	3.0	
FVT63	63.0	80.0	100.0	125.0	160.0	-	-	40.0	12.0	18.0	4.0	
FVT90	63.0	80.0	100.0	125.0	160.0	200.0	250.0	48.0	14.0	20.0	5.0	
FVT112	100.0	125.0	160.0	200.0	250.0	-	-	55.0	16.0	22.0	6.0	
FVT140	100.0	125.0	160.0	200.0	250.0	-	-	60.0	18.0	25.0	6.0	
FVT180	125.0	160.0	200.0	250.0	315.0	-	-	70.0	20.0	30.0	8.0	
FVT250	160.0	200.0	250.0	315.0	-	-	-	80.0	26.0	36.0	8.0	
FVT315	160.0	200.0	250.0	315.0	400.0	-	-	90.0	30.0	42.0	10.0	

### FVT系列输送链 Conveyor chain (FVT series)

链号 DIN	内节内宽 Width between inner plates	销轴长度 Pin length		链板高度 Plate depth		极限拉伸载荷 Ultimate tensile strength	
DIN Chain No.	$b_1$ min	L max	$L_c$ max	$h_2$ max	$h$ max	Q min	*Q min
	mm	mm	mm	mm	mm	kN/lbf	kN/lbf
FVT40	18.0	36.0	39.0	35.0	22.5	40.0/9091	47.0/10681
FVT63	22.0	45.0	48.5	40.0	25.0	63.0/14317	75.0/17045
FVT90	25.0	53.0	56.5	45.0	27.5	90.0/20453	115.0/26136
FVT112	30.0	62.0	66.0	50.0	30.0	112.0/25452	170.0/38636
FVT140	35.0	67.0	71.5	60.0	37.5	140.0/31815	180.0/40908
FVT180	45.0	86.0	92.0	70.0	45.0	180.0/40908	250.0/56817
FVT250	55.0	97.0	103.5	80.0	50.0	250.0/56817	300.0/68181
FVT315	65.0	113.0	126.5	90.0	55.0	315.0/71591	480.0/109089

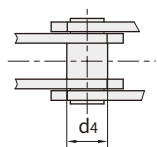
\*Q 表示热处理后的极限拉伸载荷

\*Q denotes the ultimate tensile strength after hardened

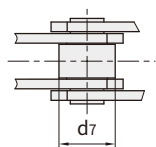
## MC系列空心销轴输送链 Hollow pin conveyor chain (MC series)

### MC系列空心销轴输送链 Hollow pin conveyor chain (MC series)

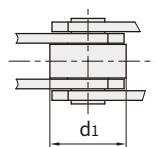
无滚子  
without rollers



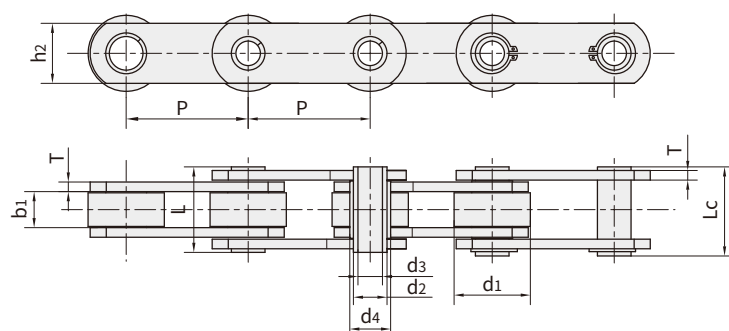
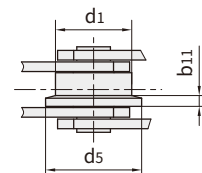
带S型小滚子  
with S small rollers type



带P型大滚子  
with P large rollers type



带F型滚子  
with F flanged rollers type



链号 DIN	节距 Pitch						滚子直径 Roller diameter				套筒直径 Roller diameter	链板高度 Plate depth
	P						d1 max	d7 max	d5 max	b11	d4 max	h2 max
DIN Chain No.	mm						mm	mm	mm	mm	mm	mm
MC28	63.0	80.0	100.0	125.0	160.0	-	36.0	25.0	45.0	4.5	17.5	25.0
MC56	80.0	100.0	125.0	160.0	200.0	250.0	50.0	30.0	60.0	5.0	21.0	35.0
MC112	100.0	125.0	160.0	200.0	250.0	315.0	70.0	42.0	85.0	7.0	29.0	50.0
MC224	160.0	200.0	250.0	315.0	400.0	500.0	100.0	60.0	120.0	10.0	41.0	70.0

### MC系列空心销轴输送链 Hollow pin conveyor chain (MC series)

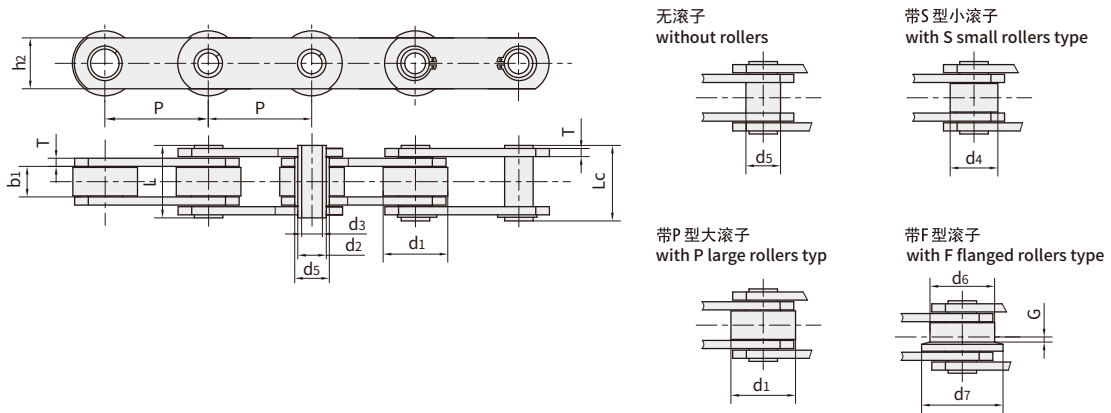
链号 DIN	内节内宽 Width between inner plates	销轴直径 Pin diameter		销轴长度 Pin length		链板厚度 Plate thickness	破断载荷 Breaking load	
	b1 min	d2 max	d3 min	L max	Lc max	T max	Q min	*Q min
DIN Chain No.	mm	mm	mm	mm	mm	mm	kN/lbf	kN/lbf
MC28	20.0	13.0	8.2	36.0	38.5	3.5	28.0/6364	40.0/9091
MC56	24.0	15.5	10.2	45.0	47.5	4.0	56.0/12727	90.0/20454
MC112	32.0	22.0	14.3	62.5	64.3	6.0	112.0/25454	180.0/40908
MC224	43.0	31.0	20.3	83.0	85.5	8.0	224.0/50909	350.0/79544

\*Q 表示热处理后的极限拉伸载荷

\*Q denotes the ultimate tensile strength after hardened

## FVC系列空心销轴输送链 Hollow pin conveyor chain (FVC series)

### FVC系列空心销轴输送链 Hollow pin conveyor chain (FVC series)



链号 DIN	节距 Pitch								滚子尺寸 Roller dimension					内节内宽 Width between inner plates
	P								d1 max	d4 max	d6 max	d7 max	G	b1 min
DIN Chain No.	mm								mm	mm	mm	mm	mm	mm
FVC63	63.0	80.0	100.0	125.0	160.0	-	-	40.0	26.0	50.0	63.0	5.0	22.0	
FVC90	63.0	80.0	100.0	125.0	160.0	200.0	250.0	48.0	30.0	63.0	78.0	6.5	25.0	
FVC112	100.0	125.0	160.0	200.0	250.0	-	-	55.0	32.0	72.0	90.0	7.5	30.0	
FVC140	100.0	125.0	160.0	200.0	250.0	-	-	60.0	36.0	80.0	100.0	9.0	35.0	
FVC180	125.0	160.0	200.0	250.0	315.0	-	-	70.0	42.0	100.0	125.0	13.0	45.0	
FVC250	160.0	200.0	250.0	315.0	400.0	-	-	80.0	50.0	125.0	155.0	15.0	55.0	
FVC315	160.0	200.0	250.0	315.0	400.0	-	-	90.0	60.0	140.0	175.0	18.0	65.0	

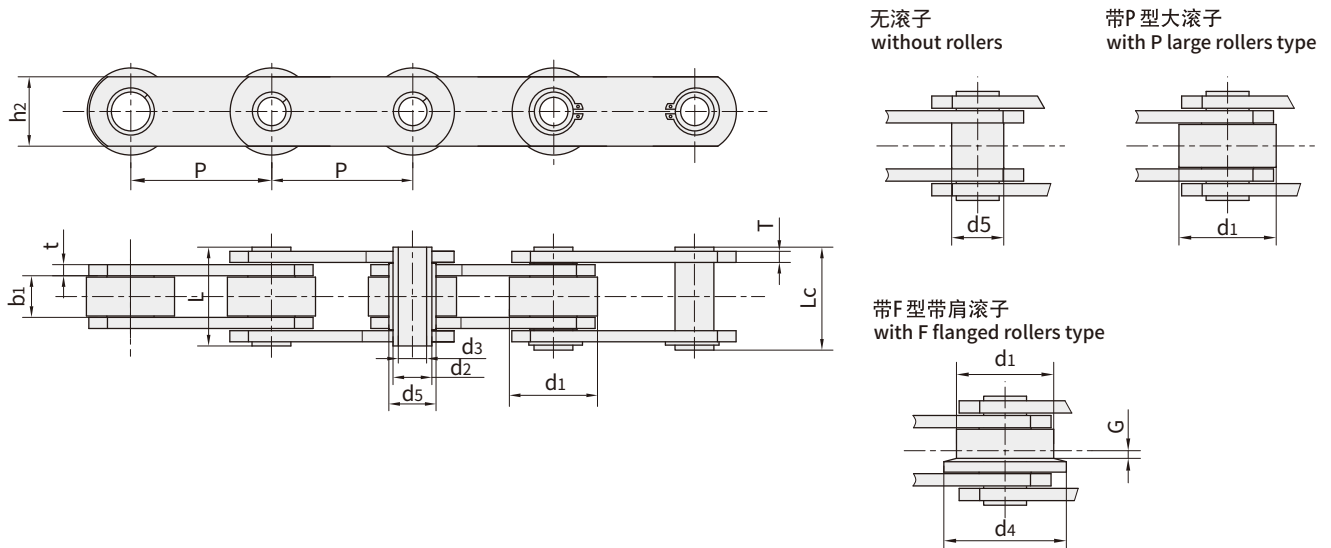
### FVC系列空心销轴输送链 Hollow pin conveyor chain (FVC series)

链号 DIN	销轴直径 Pin diameter		套筒直径 Bush diameter	销轴长度 Pin length		链板厚度 Plate thickness	链板高度 Plate depth	极限拉伸载荷 Ultimate tensile strength
	d2 max	d3 min	d5 max	L max	Lc max	T max	h2 max	Q min
DIN Chain No.	mm	mm	mm	mm	mm	mm	mm	kN/lbf
FVC63	12.0	8.0	18.0	45.0	50.5	4.0	30.0	46.0/10454
FVC90	14.0	10.0	20.0	53.0	56.5	5.0	35.0	73.0/16590
FVC112	16.0	11.0	22.0	62.0	63.0	6.0	40.0	90.0/20454
FVC140	18.0	12.0	26.0	67.0	68.5	6.0	45.0	110.0/25000
FVC180	20.0	14.0	30.0	86.0	88.0	8.0	50.0	145.0/32954
FVC250	26.0	18.0	36.0	97.0	103.5	8.0	60.0	215.0/48863
FVC315	30.0	20.0	42.0	117.0	121.5	10.0	70.0	295.0/67044



## ZC系列空心销轴输送链 Hollow pin conveyor chain (ZC series)

### ZC系列空心销轴输送链 Hollow pin conveyor chain (ZC series)



链号 Bison	节距 Pitch							滚子尺寸 Roller dimension			套筒直径 Bush diameter	链板高度 Plate depth
	P							d1 max	d4 max	G	d5 max	h2 max
Bison Chain No.	mm							mm	mm	mm	mm	mm
ZC21	38.1	50.8	63.5	76.2	-	-	-	25.40	-	-	11.0	18.0
ZC40	50.8	63.5	76.2	88.9	101.6	127.0	152.4	31.75	40.0	2.5	17.0	25.0
ZC60	76.2	88.9	101.6	127.0	152.4	177.8	203.2	47.50	60.0	3.5	23.0	40.0
ZC150	101.6	127.0	152.4	177.8	203.2	228.6	254.0	66.70	82.0	4.0	33.0	50.0
ZC300	152.4	177.8	203.2	254.0	304.8	-	-	88.90	114.0	8.5	38.0	60.0

### ZC系列空心销轴输送链 Hollow pin conveyor chain (ZC series)

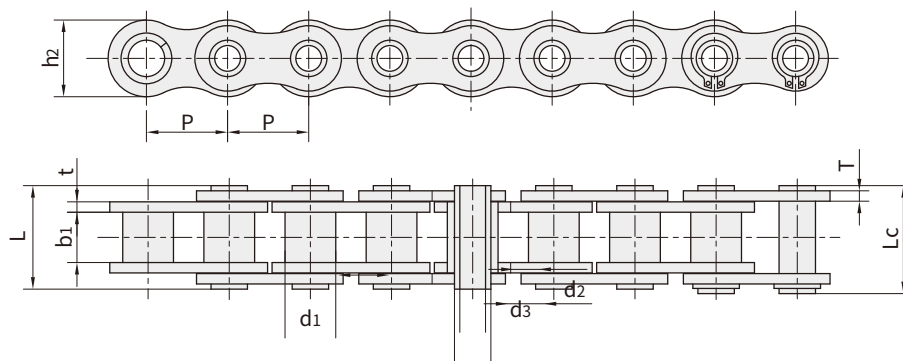
链号 Bison	内节内宽 Width between inner plates	销轴直径 Pin diameter		销轴长度 Pin length		链板厚度 Plate thickness	破断载荷 Breaking load	
	b1 min	d2 max	d3 min	L max	Lc max	t/T max	Q min	*Q min
Bison Chain No.	mm	mm	mm	mm	mm	mm	kN/lbf	kN/lbf
ZC21	12.7	9.0	6.5	26.0	27.5	2.5	21.0/4772	27.1/6159
ZC40	15.0	14.0	10.2	36.4	37.7	4.0	40.0/9091	50.0/11362
ZC60	19.0	19.0	13.2	45.0	46.5	5.0/4.0	60.0/13636	120.0/27270
ZC150	26.0	26.9	20.2	58.0	60.5	7.0/5.0	150.0/34087	190.0/43177
ZC300	38.0	32.0	22.5	83.0	85.0	10.0/8.0	300.0/68175	380.0/86362

\*Q 表示热处理后的极限拉伸载荷

\*Q denotes the ultimate tensile strength after hardened

## 空心销轴链 Hollow pin chain

空心销轴链 Hollow pin chain



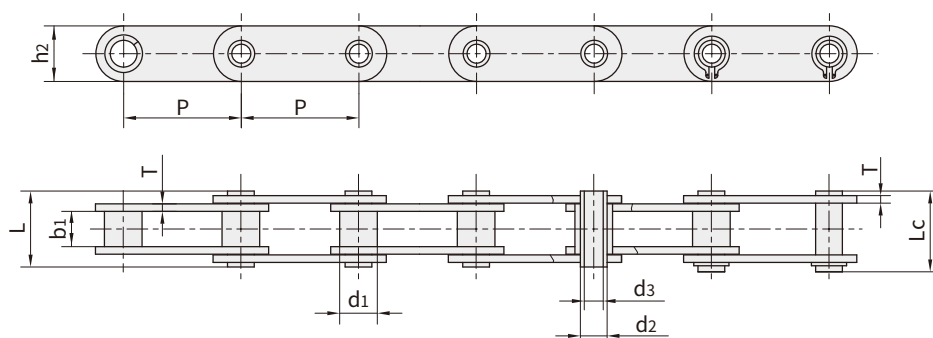
链号 Bison	节距 Pitch	滚子直径 Roller diameter	内节内宽 Width between inner plates	销轴直径 Pin diameter		销轴长度 Pin length		内链板高度 Inner plate depth	链板厚度 Plate thickness	极限拉伸载荷 Ultimate tensile strength	平均拉伸载荷 Average tensile strength	每米长重 Weight per meter
Bison Chain No.	P	$d_1$ max	$b_1$ min	$d_2$ max	$d_3$ min	L max	Lc max	$h_2$ max	T max	Q min	Q <sub>0</sub>	q
	mm	mm	mm	mm	mm	mm	mm	mm	mm	kN/lbf	kN	kg/m
08BHPF	12.700	8.51	7.75	6.55	4.50	16.4	17.6	11.80	1.60/1.30	11.1/2523	12.10	0.56
10BHPF4	15.875	10.16	9.50	7.20	5.00	19.8	21.3	14.00	2.03/1.60	12.5/2840	14.00	0.82
12BHPF2	19.050	12.07	11.68	8.09	6.00	22.7	23.9	16.10	1.85	14.0/3180	16.00	0.82
40HP	12.700	7.95	7.85	5.63	4.00	16.5	17.6	12.00	1.50	11.0/2500	12.20	0.54
08BHP	12.700	8.51	7.75	6.55	4.50	16.4	17.6	11.80	1.30	11.1/2523	12.10	0.52
50HP	15.875	10.16	9.40	7.03	5.13	20.7	21.9	15.09	2.03	20.0/4545	22.60	0.91
50H-HP	15.875	10.16	9.40	7.03	5.13	22.6	23.7	15.09	2.42	20.0/4545	22.60	1.02
60HP	19.050	11.91	12.70	8.31	6.00	25.8	26.8	18.00	2.42	24.0/5455	26.90	1.29
80HP	25.400	15.88	15.75	11.40	8.05	32.5	33.8	24.00	3.25	50.0/11364	52.00	2.26
80H-HP	25.400	15.88	15.75	11.40	8.05	35.7	37.0	24.00	4.00	50.0/11364	52.00	2.63
A2080HP	50.800	15.88	15.75	11.40	8.05	32.4	33.8	24.00	3.25	42.3/9615	46.10	1.60
10BHB	15.875	10.16	9.65	5.94	4.04	19.30	20.60	14.70	1.70	17.00/3864	20.80	0.86
12BHP	19.050	12.07	11.68	6.50	4.00	21.60	22.80	15.90	1.85	23.60/5364	25.90	1.09
60HB	19.050	11.91	12.70	7.00	5.01	25.50	26.60	18.00	2.42	20.00/4545	22.40	1.35
16BHPF1	25.400	15.88	12.70	9.53	7.05	30.80	32.20	23.00	4.15/3.10	40.00/9091	45.00	2.28
HB25.4	25.400	20.00	8.00	8.00	5.20	19.50	20.50	17.00	2.03	25.00/5680	28.00	1.30
HP35	35.000	20.00	16.00	14.00	10.20	30.00	32.40	26.00	2.50	25.00	34.00	2.02

\*外链板为直板形

\*Denotes straight side outer plates

## 空心销轴链 Hollow pin chain

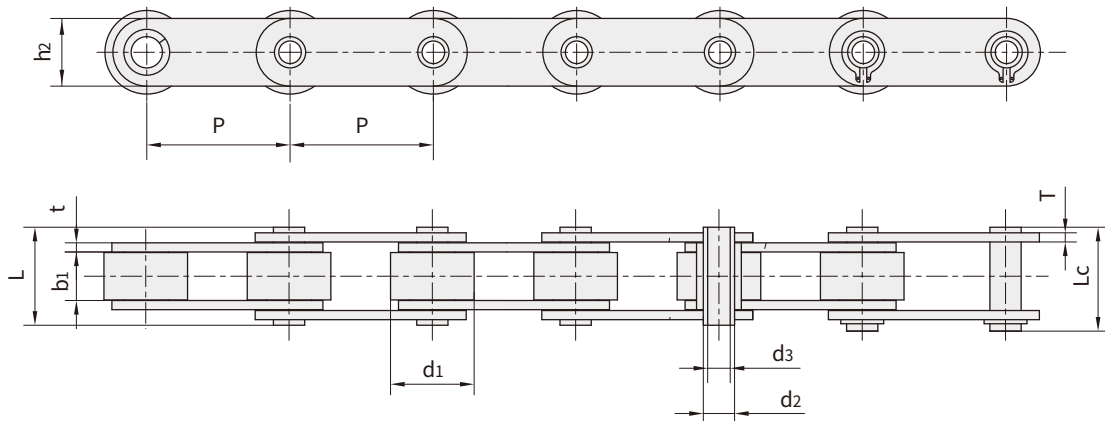
空心销轴链 Hollow pin chain



链号 Bison	节距 Pitch	套筒直径 Bush diameter	内节内宽 Width between inner plates	销轴直径 Pin diameter		销轴长度 Pin length		内链板高度 Inner plate depth	链板厚度 Plate thickness	极限拉伸载荷 Ultimate tensile strength	平均拉伸载荷 Average tensile strength	每米长重 Weight per meter
Bison Chain No.	P	$d_1$ max	$b_1$ min	$d_2$ max	$d_3$ min	L max	Lc max	$h_2$ max	T max	Q min	Q <sup>0</sup>	q
	mm	mm	mm	mm	mm	mm	mm	mm	mm	kN/lbf	kN	kg/m
C08BHP	12.700	8.51	7.75	6.55	4.50	16.4	17.6	11.80	1.6/1.3	11.0/2500	11.5	0.62
C40HP	12.700	7.95	7.85	5.63	4.00	16.5	17.6	12.00	1.50	11.0/2500	12.2	0.64
C50HP	15.875	10.16	9.40	7.03	5.13	20.7	21.9	15.09	2.03	20.0/4545	22.6	1.05
C60HP	19.050	11.91	12.70	8.31	6.00	25.8	26.8	18.00	2.42	24.0/5455	26.9	1.52
C80HP	25.400	15.88	15.75	11.40	8.05	32.5	33.8	24.00	3.25	50.0/11364	52.0	2.63
C2040HP	25.400	7.95	7.85	5.63	4.00	16.5	17.6	12.00	1.50	11.0/2500	12.6	0.46
C2050HP	31.750	10.16	9.40	7.22	5.12	20.5	21.8	15.00	2.03	20.4/4636	22.8	0.76
C2060HP	38.100	11.91	12.70	8.31	6.00	25.8	26.8	17.00	2.42	24.0/5455	27.1	1.02
C2060H-HP	38.100	11.91	12.70	8.31	6.00	29.2	30.2	17.00	3.25	24.0/5455	27.1	1.29
HB38.1F8	38.100	10.16	9.65	7.10	5.40	20.4	-	16.00	2.03	13.0/2954	14.3	0.67
HP40F1	40.000	18.00	22.00	12.00	8.00	47.5	48.2	35.00	5.00	57.0/13049	63.8	5.38
HP50F1	50.000	26.00	14.50	20.00	14.70	35.3	36.2	40.00	3.10	30.0/6818	33.6	3.98
C2080HP	50.800	15.88	15.75	11.40	8.05	32.5	33.8	24.00	3.25	50.0/11364	52.0	1.81

## 空心销轴链 Hollow pin chain

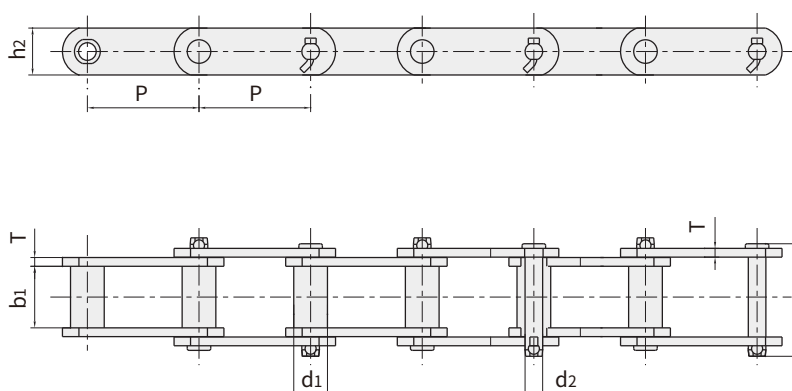
空心销轴链 Hollow pin chain



链号 Bison	节距 Pitch	滚子直径 Roller diameter	内节内宽 Width between inner plates	销轴直径 Pin diameter		销轴长度 Pin length		内链板高度 Inner plate depth	链板厚度 Plate thickness	极限拉伸载荷 Ultimate tensile strength	平均拉伸载荷 Average tensile strength	每米长重 Weight per meter
				d <sub>2</sub> max	d <sub>3</sub> min	L max	Lc max					
Bison Chain No.	P	d <sub>1</sub> max	b <sub>1</sub> min	d <sub>2</sub> max	d <sub>3</sub> min	L max	Lc max	h <sub>2</sub> max	T max	Q min	Q <sup>0</sup>	q
	mm	mm	mm	mm	mm	mm	mm	mm	mm	kN/lbf	kN	kg/m
C2042HP	25.40	15.88	7.85	5.63	4.00	16.5	17.6	12.00	1.50	11.0/2500	12.6	0.78
C2052HP	31.75	19.05	9.53	7.22	5.12	20.5	21.8	15.00	2.03	20.4/4636	22.8	1.25
C2062HP	38.10	22.23	12.70	8.31	6.00	25.8	26.8	17.00	2.42	24.0/5455	27.1	1.72
C2082HP	50.80	28.58	15.75	11.40	8.05	32.4	33.8	24.00	3.25	50.0/11364	52.0	2.82
C2042H-HP	25.40	15.88	7.85	5.63	4.00	18.8	19.9	12.00	2.03	11.0/2500	13.2	0.95
C2052HPF1	31.75	19.05	9.40	7.03	5.12	20.0	21.5	15.30	1.85	15.0/3409	17.3	1.21
C2052H-HP	31.75	19.05	9.53	7.22	5.12	22.1	23.4	15.00	2.42	20.4/4545	23.5	1.44
C2062H-HP	38.10	22.23	12.70	8.31	6.00	29.2	30.2	17.00	3.25	24.0/5455	27.6	1.99
C2082H-HP	50.80	28.58	15.75	11.40	8.05	35.7	37.0	24.00	4.00	50.0/11364	56.5	3.34

## 工程用钢制套筒链 Engineering steel bush chain

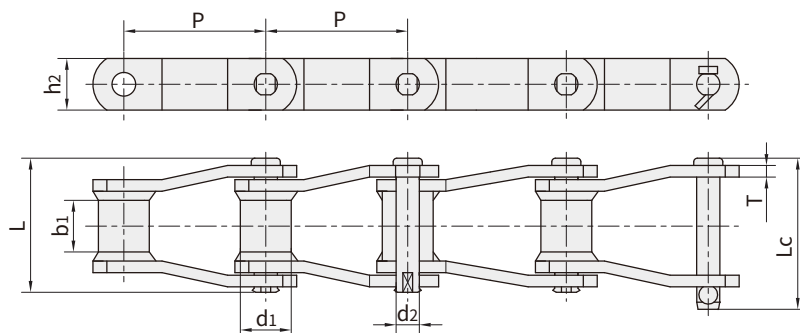
工程用钢制套筒链 Engineering steel bush chain



链号 ANSI	链号 Bison	节距 Pitch	套筒直径 Bush diameter	内节内宽 Width between inner plates	销轴直径 Pin diameter	销轴长度 Pin length	内链板高度 Innerplate depth	链板厚度 Plate thickness	极限拉伸载荷 Ultimate tensile strength	平均拉伸载荷 Average tensile strength	每米长重 Weight per meter
ANSI Chain No.	Bison Chain No.	P	d1 max	b1 min	d2 max	L max	h2 max	T max	Q min	Q0	q
		mm	mm	mm	mm	mm	mm	mm	kN/lbf	kN	kg/m
S102B		101.60	25.40	54.10	15.88	111.3	38.10	9.7	160.0/35993	176.0	10.40
S110		152.40	32.00	54.10	15.88	111.3	38.10	9.7	160.0/35993	176.0	9.80
S111		120.90	36.60	66.80	19.05	131.2	50.80	9.7	214.0/48141	235.4	15.90
S131		78.11	32.00	33.50	15.88	90.5	38.10	9.7	160.0/35993	176.0	11.60
S150		153.67	44.70	84.30	25.40	164.6	63.50	12.7	378.0/85034	416.0	25.70
S188		66.27	22.40	26.90	12.70	68.6	28.40	6.4	102.0/22946	112.2	5.60
S856		152.40	44.40	76.20	25.40	154.9	63.50	12.7	365.0/82110	401.5	25.00
S857		152.40	44.40	76.20	25.40	154.9	82.60	12.7	432.0/97182	475.2	32.00
S859		152.40	60.40	95.30	31.75	188.5	101.60	16.0	690.0/155221	759.0	55.90
S864		177.80	60.40	95.30	31.75	188.5	101.60	16.0	690.0/155221	759.0	51.80
	S102.5	102.36	34.93	57.15	19.05	115.0	44.45	9.5	214.0/48141	235.4	14.09

## 焊接弯板链 Welded type cranked link chain

焊接弯板链 Welded type cranked link chain



链号 Bison	节距 Pitch	套筒直径 Bush diameter	内节内宽 Width between inner plates	销轴直径 Pin diameter	销轴长度 Pin length		链板高度 Plate depth	链板厚度 Plate thickness	极限拉伸载荷 Ultimate tensile strength	平均拉伸载荷 Average tensile strength	每米长重 Weight per meter
Bison Chain No.	P	d1 max	b1 min	d2 max	L max	Lc max	h2 max	T max	Q min	Q0	q
	mm	mm	mm	mm	mm	mm	mm	mm	kN/lbf	kN	kg/m
WR78 WH78	66.27	22.90	28.40	12.78	73.00	79.3	28.4	6.4	93.4/21227 106.8/24273	102.70 117.50	6.20
WR82 WH82	78.10	31.50	31.80	14.35	80.00	86.0	31.8	6.4	100.1/22750 131.2/29818	110.10 144.30	7.98
WR106 WH106	152.40	37.10	41.20	19.13	103.00	111.0	38.1	9.7	169.0/38409 224.6/51045	185.90 247.00	10.56
WR110 WH110	152.40	32.00	46.70	19.13	107.70	115.5	38.1	9.7	169.0/38409 224.6/51045	185.90 247.00	10.40
WR111 WH111	120.90	37.10	57.20	19.13	116.80	124.5	38.1	9.7	169.0/38409 224.6/51045	185.90 247.00	12.72
WR124 WH124	101.60	37.10	41.20	19.13	103.00	110.0	38.1	9.7	169.0/38409 224.6/51045	185.90 247.00	12.38
WR124H WH124H	103.20	41.70	41.20	22.30	131.60	133.0	50.8	12.7	275.8/62682 355.9/80886	303.30 391.40	19.68
WR132 WH132	153.67	44.70	76.20	25.48	151.00	162.2	50.8	12.7	275.8/62682 378.1/85932	303.30 415.90	20.00
WR150 WH150	153.67	44.45	73.00	25.40	151.00	162.2	63.5	12.7	620.0/140907	682.00	20.50
WR155 WH155	153.67	44.45	73.00	28.57	164.00	176.0	63.5	12.7	820.0/186361	902.00	20.70
WR157 WH157	153.67	44.45	76.20	28.57	164.00	176.0	63.5	15.9	820.0/186361	902.00	20.80

注：W R 仅销轴和套筒热处理

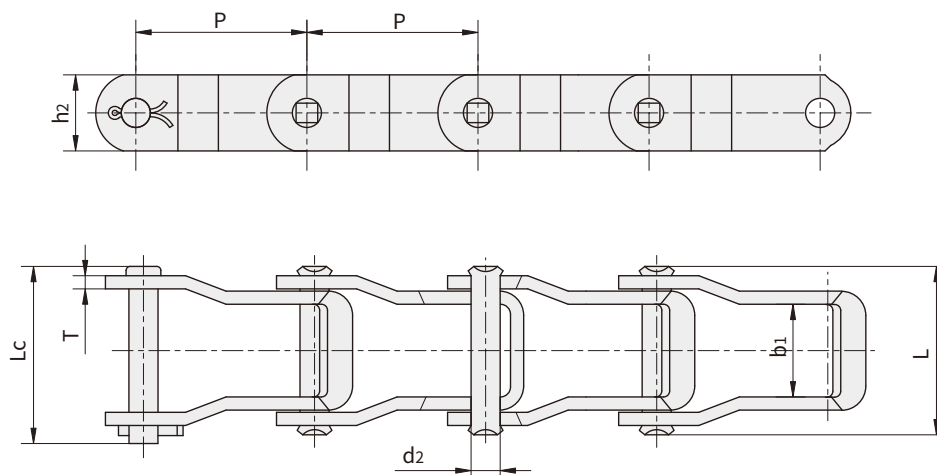
W H 所有零件热处理

Note: Note: WR - Welded steel chain - only pins & bushes heat treated

WH - Welded steel chain - all heat treated

## 钢制销合链 Steel pintle chain

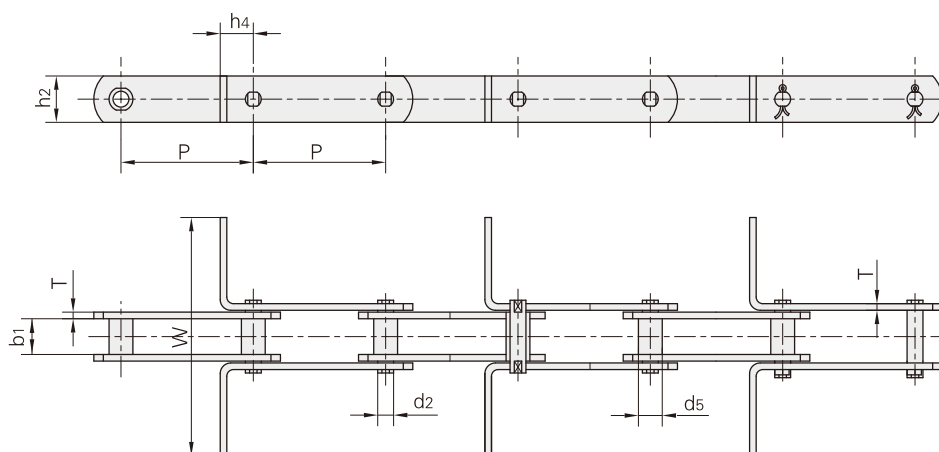
钢制销合链 Steel pintle chain



链号 Bison	节距 Pitch	内节内宽 Width between inner plates	销轴直径 Pin diameter	销轴长度 Pin length		链板高度 Plate depth	链板厚度 Plate thickness	极限拉伸载荷 Ultimate tensile strength	平均拉伸载荷 Average tensile strength	每米长重 Weight per meter
Bison Chain No.	P	b <sub>1</sub> min	d <sub>2</sub> max	L max	L <sub>c</sub> max	h <sub>2</sub> max	T max	Q min	Q <sub>o</sub>	q
	mm	mm	mm	mm	mm	mm	mm	kN/lbf	kN	kg/m
662	42.27	22.9	7.19	41.2	44.2	18.8	3.2	37.80/8591	41.5	1.63
667H	58.75	25.4	7.94	43.7	46.7	22.2	3.2	42.30/9614	46.5	1.87
667X	57.15	26.6	11.10	50.2	55.0	23.8	4.3	66.70/15159	73.3	2.98
667XH	57.15	27.4	11.91	58.0	62.0	27.3	5.7	124.50/28295	136.9	4.34
667K	57.15	27.4	11.10	55.5	60.0	27.3	5.1	89.00/20227	97.9	3.91
667J	57.15	26.6	9.53	50.2	55.0	27.3	4.3	62.28/14155	68.5	2.81
88K	66.27	27.4	11.10	55.5	60.0	27.3	5.1	89.00/20227	97.9	3.73
88C	66.27	31.4	12.70	64.6	69.0	28.9	6.4	133.36/30309	146.6	5.17

## 刮板输送链 Scraper conveyor chain

刮板输送链 Scraper conveyor chain



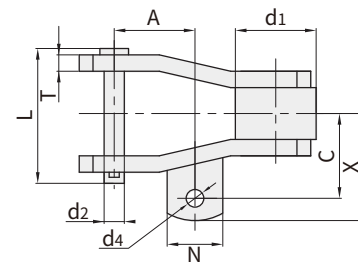
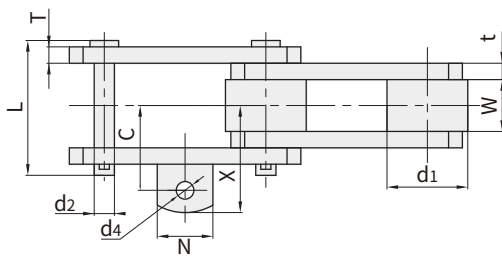
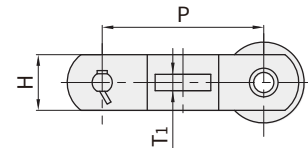
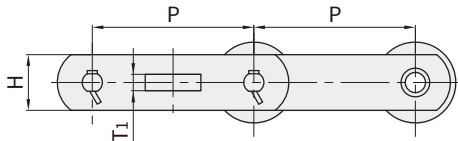
链号 Bison	节距 Pitch		内节内宽 Width between inner plates	销轴直径 Pin diameter	套筒直径 Bush diameter	$h_4$	链板高度 Plate depth	链板厚度 Plate thickness	W	破断载荷 Breaking load	
Bison Chain No.	P		$b_1$ min	$d_2$ max	$d_5$ max		$h_2$ max	T max		Q min	
	mm		mm	mm	mm	mm	mm	mm	mm	mm	
MR56	100	125	-	24.0	10.0	15.0	20.0	30.0	4.0	•	56.0/12727
MR80	100	125	160	28.0	12.0	18.0	25.0	35.0	5.0	•	80.0/18182
MR112	100	125	160	32.0	15.0	21.0	35.0	40.0	6.0	•	112.0/25454
MR160	100	125	160	37.0	18.0	25.0	40.0	50.0	7.0	•	160.0/36364
MR224	125	160	200	43.0	21.0	30.0	44.0	60.0	8.0	•	224.0/50909
MR315	160	200	250	48.0	25.0	36.0	50.0	70.0	10.0	•	315.0/71591
FVR40	80	100	125	18.0	10.0	15.0	20.0	25.0	3.0	•	42.0/9545
FVR63	100	125	160	22.0	12.0	18.0	25.0	30.0	4.0	•	64.0/14545
FVR90	100	125	160	25.0	14.0	20.0	30.0	35.0	5.0	•	100.0/22727
FVR112	100	125	160	30.0	16.0	22.0	35.0	40.0	6.0	•	120.0/27272
FVR140	125	160	200	35.0	18.0	26.0	38.0	45.0	6.0	•	145.0/32954
FVR180	125	160	200	45.0	20.0	30.0	44.0	50.0	8.0	•	190.0/43181
FVR250	160	200	250	55.0	26.0	36.0	50.0	60.0	8.0	•	275.0/62499

- 表示自由尺寸 (根据客户要求定)
- Dimensions are specified by the customer



## 糖机链 Sugar mill chain

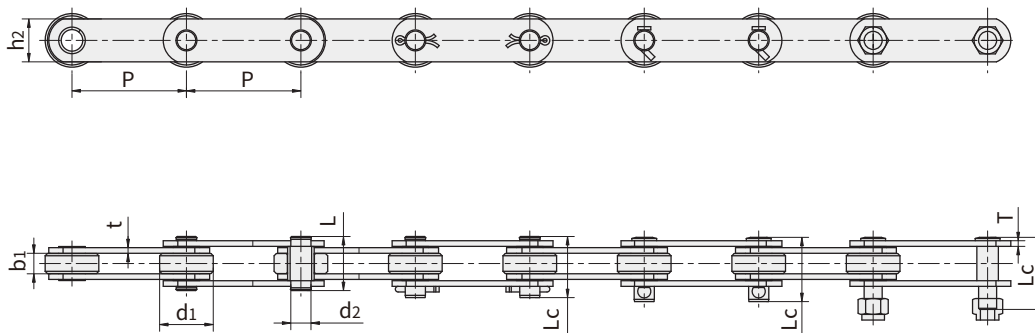
### 糖机链 Sugar mill chain



链号 Bison	节距 Pitch	内节内宽 Inner Width of inner Link	滚子直径 Diameter of diameter	销轴长度 Data of Ear-Shaped Attachment						平均拉伸载荷 Data of Pin			每米长重 Tensile Strength	
				A	C	X	N	d <sub>4</sub>	T	d <sub>2</sub>	L <sub>1</sub>	L <sub>4</sub>		Q <sub>min</sub>
Bison Chain No.	P	b <sub>1</sub>	d <sub>2</sub> max	mm	mm	mm	mm	mm	mm	mm	mm	mm	mm	kN/lbf
SMKW0909	93.70	27.60	44.50	46.80	44.00	59.00	31.80	16.30	13.50	15.90	33.00	40.00	95.00	
SMKW1010	101.60	32.60	50.80	50.80	50.80	64.80	35.00	11.10	10.30	12.70	37.50	42.50	100.00	
SMKW1510	101.60	32.60	50.80	50.80	54.00	75.00	42.00	16.30	12.70	17.50	39.00	45.00	155.00	
SMKW1810	101.60	29.40	50.80	50.80	58.70	76.00	32.00	16.30	12.70	17.50	37.50	43.50	180.00	
SMKW09102	102.60	37.50	50.80	50.80	60.30	80.30	49.50	16.30	13.50	17.50	38.00	45.00	95.00	
SMKW15152	102.60	37.60	63.50	76.20	62.00	82.00	80.00	16.30	15.00	19.10	38.50	45.50	155.00	
SMKW20152	152.40	34.90	76.20	76.20	66.70	92.00	50.00	16.30	16.00	22.23	45.00	54.00	200.00	
SMKW34150	152.40	34.90	76.20	76.20	66.70	92.00	50.00	16.30	16.00	22.23	45.00	54.00	340.00	
SMKW23152	152.40	36.50	69.90	76.20	66.70	90.00	40.00	16.30	16.00	19.10	44.50	52.00	235.00	
SMKW31152	152.40	36.50	69.90	76.20	66.70	90.00	40.00	16.30	16.00	19.10	44.50	52.00	310.00	
SMKW38152	152.40	36.50	69.90	76.20	66.70	90.00	40.00	16.30	16.00	19.10	44.50	52.00	385.00	

## 棕油链 Palm oil chain

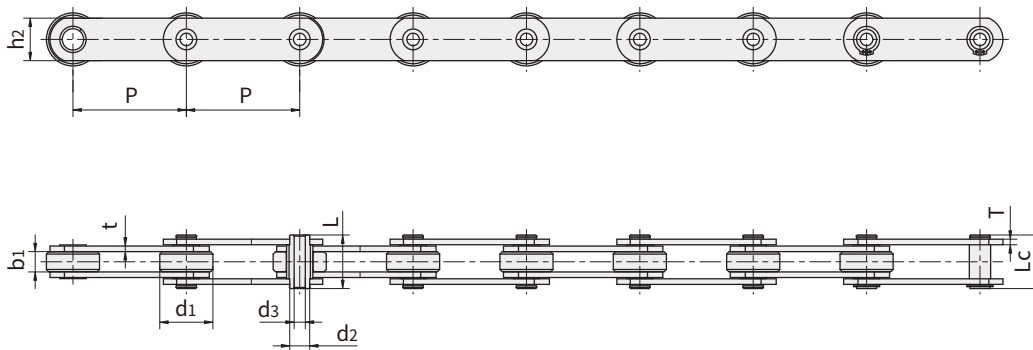
棕油链 Palm oil chain



链号 Bison	节距 Pitch	滚子直径 Roller diameter	内节内宽 Width between inner plates	链板高度 Plate depth	销轴直径 Pin diameter	销轴长度 Pin length		链板厚度 Plate thickness	抗拉强度 Tensile strength	每米长重 Weight per meter
Bison Chain No.	P	d1 max	b1 min	h2 max	d2 max	L max	Lc max	T max	Q min	q
	mm	mm	mm	mm	mm	mm	mm	mm	kN/lbf	kg/m
PO101.6F1	101.6	47.6	19.0	38.1	19.05	45.4	52.1	5.1/3.8	97.8/22000	6.40
PO101.6F2	101.6	66.7	25.4	50.0	26.97	63.8	83.0	7.1/5.1	176.0/40000	14.62
PO152.4F1	152.4	66.7	25.4	50.0	26.97	63.8	83.0	7.1/5.1	176.0/40000	11.42
PO152.4HF1	-	-	-	-	-	-	-	-	286.0/65000	11.42
PO152.4F2	152.4	88.9	38.1	61.0	31.75	85.6	93.3	9.5/7.9	308.0/70000	35.46

## 棕油链 Palm oil chain

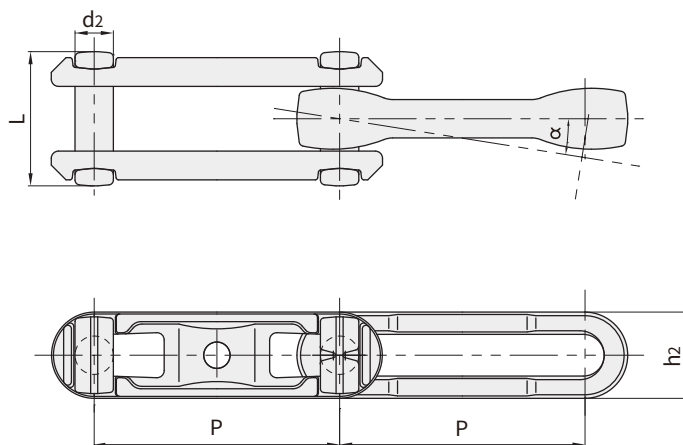
棕油链 Palm oil chain



链号 Bison	节距 Pitch	滚子直径 Roller diameter	内节内宽 Width between inner plates	链板高度 Plate depth	销轴直径 Pin diameter		销轴长度 Pin length		链板厚度 Plate thickness	抗拉强度 Tensile strength	每米长重 Weight per meter
					d1 max	b1 min	d2 max	d3 max			
Bison Chain No.	P	d1 max	b1 min	h2 max	d2 max	d3 max	L max	Lc max	T max	Q min	q
	mm	mm	mm	mm	mm	mm	mm	mm	mm	kN/lbf	kg/m
P101.6HPF1	101.6	47.6	19.0	38.1	19.05	13.20	42.6	44.3	5.1/3.8	80/18000	5.91
P152.4HPF1	152.4	66.7	25.4	50.0	26.97	19.43	57.9	59.4	7.1/5.1	160/36000	10.44
PO152.4HHPF1	152.4	66.7	25.4	50.0	26.97	19.43	57.9	59.4	7.1/5.1	244/55000	10.44
PO152HPF2	152.4	88.9	38.1	61.0	31.75	23.10	85.6	93.3	9.5/7.9	220/50000	23.49

## 模锻可拆链 Drop forged rivetless chain

模锻可拆链 Drop forged rivetless chain



	链号 Bison	参考节距 Reference Pitch	销轴直径 Pin diameter	销轴长度 Pin length	标准测量长度 Standard measurement length	标准测量长度的节距数 Number of pitch of standard measurement length	侧向转角 Side corner	链板宽度 Width of side bar	抗拉强度 Tensile strength	每米长重 Weight per meter
	Bison Chain No.	P	d <sub>2</sub>	L	min/max		α	h <sub>2</sub>		
		mm	mm	mm	mm			mm	kN	kg/m
英制系列 British system series	X348	76.6	13.5	47.0	3050.5/3095.2	40.0	9°	27	98	2.7
	X458	102.4	16.0	58.0	3063.1/3090.2	30.0	9°	35	187	5.2
	468H	102.4	19.5	84.1	3063.1/3090.2	30.0	9°	47.8	311.7	11.5
	X678	153.2	22.3	77.0	3055.1/3082.8	20.0	7°	51.6	318	9.5
	698	153.2	28.0	95.3	3055.1/3082.8	20.0	7°	60	515	17.0
公制系列 Metric system series	698H	152.4	39.0	154.0	3039.2/3066.6	20.0	7°	72	1078	37.7
	F100X16	100.0	15.5	77.0	2991.3/3018.3	30.0	9°	35	187	4.7
	F100X17	100.0	17.0	77.0	2991.3/3018.3	30.0	9°	35	187	4.0
	F160X24	160.0	23.5	96.0	3190.7/3219.5	20.0	7°	51.6	318	10.3