



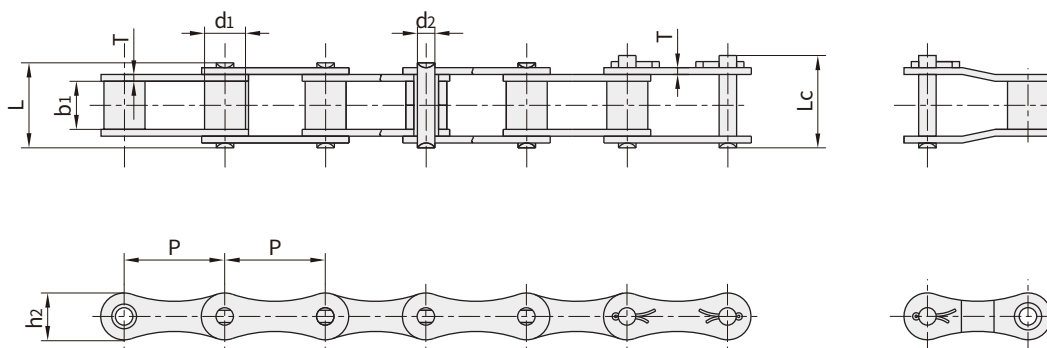
ISO9001 REGISTERED
SUPERIOR CHAIN QUALITY

AGRICULTURAL CHAIN PRODUCT CATALOGUE



S型钢制农机链 S type steel agricultural chain

S型钢制农机链 S type steel agricultural chain

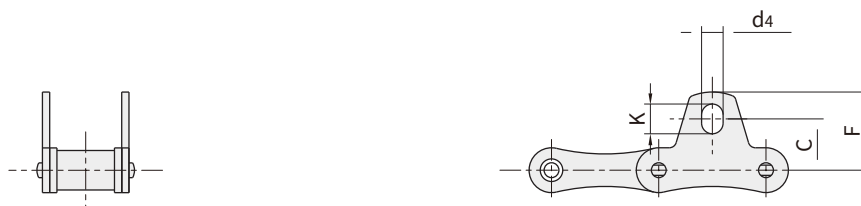


链号 Bison	节距 Pitch	滚子直径 Roller diameter	内节内宽 Width between inner plates	销轴直径 Pin diameter	销轴长度 Pin length		内链板高度 Inner plate depth	链板厚度 Plate thickness	极限拉伸载荷 Ultimate tensile strength	平均拉伸载荷 Average tensile strength	每米长重 Weight per meter
Bison Chain No.	P	d ₁ max	b ₁ min	d ₂ max	L max	Lc max	h ₂ max	T max	Q min	Q0	q
	mm	mm	mm	mm	mm	mm	mm	mm	kN/LB	kN	kg/m
S32	29.21	11.43	15.88	4.45	26.6	28.5	13.5	1.8	8.0/1818	21.6	0.86
S32V	29.21	11.43	15.88	5.08	27.3	29.7	13.5	2.1	25.0/5680	27.0	0.96
S42	34.93	14.27	19.05	7.00	34.3	37.4	19.8	2.8	27.0/6136	50.8	1.60
S45	41.40	15.24	22.23	5.72	37.7	40.3	17.3	2.8	18.0/4091	36.1	1.66
S45R	41.40	15.24	22.23	7.16	38.7	41.6	17.3	3.0	35.5/8068	40.1	1.70
S51	38.10	15.24	16.00	5.72	31.1	33.7	17.3	2.8	28.0/6364	30.8	1.48
S52L	38.10	15.24	16.40	5.72	31.1	33.7	17.3	2.5	25.5/6636	32.2	1.36
S52	38.10	15.24	22.23	5.72	37.7	40.3	17.3	2.8	18.0/4091	36.1	1.68
55V	41.40	17.78	22.60	8.28	39.0	41.9	20.0	3.0	42.0/9546	45.0	2.22
S55	41.40	17.78	22.23	5.72	37.7	40.3	17.3	2.8	18.0/4091	36.1	1.80
S55R	41.40	17.78	22.23	8.90	41.0	44.0	22.4	3.5	45.0/10227	73.1	2.49
S55RH	41.40	17.78	22.23	5.90	43.2	46.3	22.4	4.0	65.0/14772	84.5	2.74
S62	41.91	19.05	26.20	5.72	40.3	43.0	17.3	2.5	26.7/6067	36.1	1.87
S77	58.34	18.26	22.23	8.90	43.2	46.4	26.2	4.0	45.0/10227	73.1	2.66
S88	66.27	22.86	28.58	8.90	49.8	53.0	26.2	4.0	45.0/10227	73.1	3.25
CA642	41.40	15.88	19.05	8.28	36.1	39.1	21.2	3.0	50.0/11363	55.0	1.98
CA643	41.40	15.88	22.20	8.28	41.0	44.1	21.2	4.0/3.0	60.0/13635	75.0	2.42

S型钢制农机链附件 S type steel agricultural chain attachments

S型钢制农机链附件 S type steel agricultural chain attachments

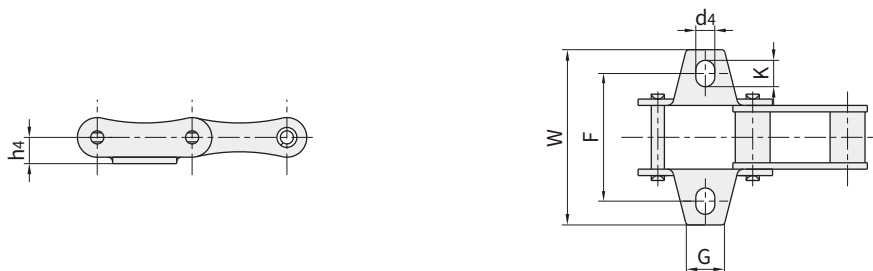
SK1



附件号 Bison	链号 Bison	C	F	d4	K
Bison Att. No.	Bison Chain No.	mm	mm	mm	mm
SK1	S32	17.3	26.2	5.3	6.9
SK1	S42	23.6	34.3	8.3	11.5
SK1	S45	19.8	30.2	8.3	11.5
SK1	S52	22.1	31.8	8.3	9.9
SK1	S55	19.8	30.2	8.3	11.5
SK1	S62	24.6	38.6	8.3	14.7
SK1	S77	36.3	50.0	8.3	11.5
SK1	S88	43.7	55.6	8.3	9.9

S型钢制农机链附件 S type steel agricultural chain attachments

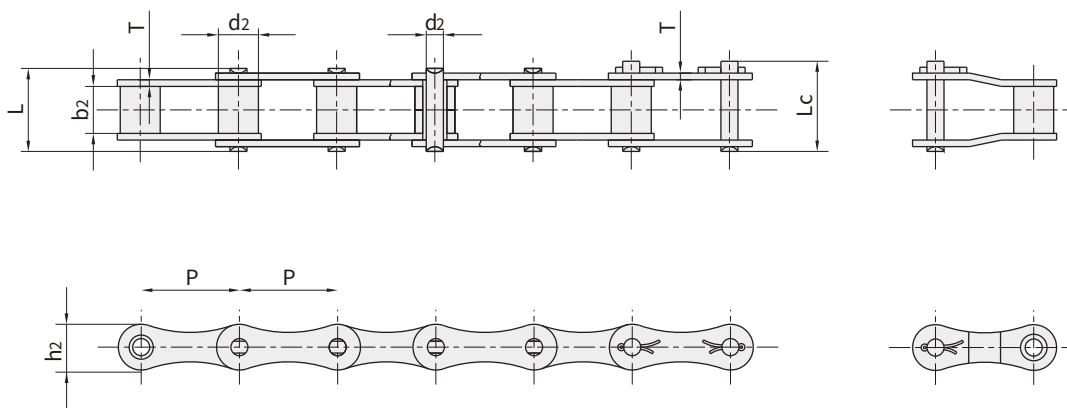
K1



附件号 Bison	链号 Bison	G	F	W	h4	d4	K
Bison Att. No.	Bison Chain No.	mm	mm	mm	mm	mm	mm
K1	S32	15.0	42.9	61.0	8.6	5.3	6.9
K1	S42	17.5	54.00	74.9	14.0	8.3	11.5
K1	S45	22.0	54.00	74.9	11.4	8.3	11.5
K1	S51	19.0	49.80	71.5	11.4	8.3	9.9
K1	S52	19.0	58.75	77.5	11.4	8.3	9.9
K1	S55	22.0	54.00	74.9	11.4	8.3	11.5
K1	S62	22.0	6.65	95.3	11.4	8.3	14.7
K1	S77	25.0	76.2	101.6	20.8	8.3	11.5
K1	S88	22.0	96.85	119.4	20.8	8.3	9.9

S型钢制农机链 S type agricultural chain

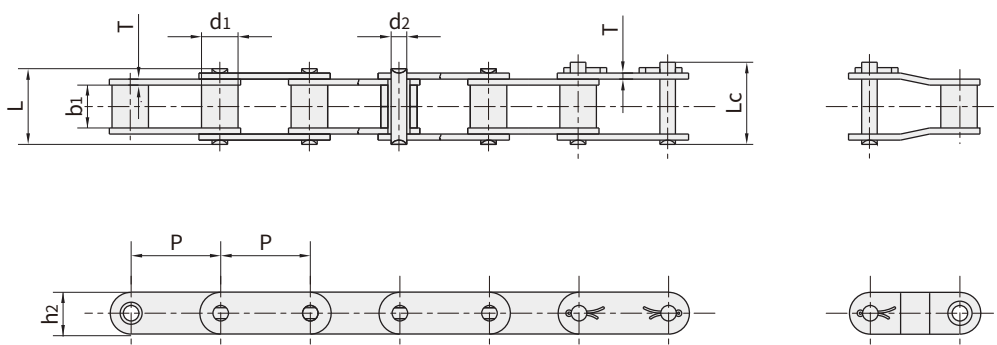
S型钢制农机链附件 S type agricultural chain



链号 Bison	节距 Pitch	滚子直径 Roller diameter	内节内宽 Width between inner plates	销轴直径 Pin diameter	销轴长度 Pin length		链板尺寸 Plate dimension		极限拉伸载荷 Ultimate tensile strength	平均拉伸载荷 Average tensile strength	每米长重 Weight per meter
Bison Chain No.	P	d ₁ max	b ₁ min	d ₂ max	L max	L _c max	h ₂ max	T max	Q min	Q ₀	q
	mm	mm	mm	mm	mm	mm	mm	mm	kN/lbf	kN	kg/m
A550	41.40	16.87	19.81	7.19	35.0	38.0	19.3	2.80	39.10/8886	51.2	1.79
A555	41.40	16.87	12.70	7.19	29.1	32.0	19.3	3.10	36.10/8886	56.0	1.60
A557	41.40	17.78	20.24	8.00	37.4	40.6	23.1	3.10	55.61/12639	74.3	2.45
A620	42.01	17.91	24.51	7.19	41.8	45.1	20.2	3.25	39.10/8886	55.1	2.18
CA413	41.30	16.00	22.23	8.28	39.0	41.9	23.5	3.00	50/11363	71.5	2.27

CA型钢制农机链 CA type steel agricultural chain

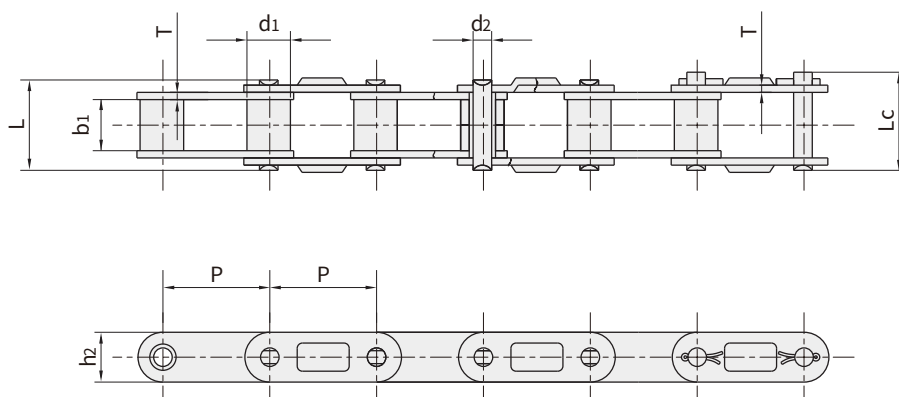
CA型钢制农机链 CA type steel agricultural chain



链号 Bison	节距 Pitch	滚子直径 Roller diameter	内节内宽 Width between inner plates	销轴直径 Pin diameter	销轴长度 Pin length		链板尺寸 Plate dimension		极限拉伸载荷 Ultimate tensile strength	平均拉伸载荷 Average tensile strength	每米长重 Weight per meter
Bison Chain No.	P	d ₁ max	b ₁ min	d ₂ max	L max	L _c max	h ₂ max	T max	Q _{min}	Q ₀	q
	mm	mm	mm	mm	mm	mm	mm	mm	kN/lbf	kN	kg/m
CA550	41.40	16.87	19.81	7.19	35.0	38.0	19.30	2.80	39.10/8886	51.2	1.94
CA555V	41.40	16.80	19.05	8.28	36.1	39.1	22.00	3.00	55.00/12499	68.7	2.24
CA555	41.40	16.87	12.70	7.19	29.1	32.0	19.30	3.10	39.10/8886	56.0	1.72
CA557	41.40	17.78	20.24	8.00	37.4	40.6	23.10	3.10	55.61/12639	74.3	2.60
CA620	42.01	17.91	24.51	7.19	41.8	45.2	20.20	3.25	39.10/8886	55.1	2.35
CA2060H	38.10	11.91	12.70	5.94	29.2	31.6	18.00	3.25	31.10/6996	40.5	1.45
CA2063H	38.10	11.89	12.70	5.94	29.4	34.2	19.30	3.25	31.28/71.9	40.5	1.65
CAE44151	28.575	15.88	16.20	7.92	33.5	36.9	22.20	3.25	58.80/13363	64.5	2.73
38.4R	38.40	15.88	19.05	6.92	33.4	36.3	17.30	2.50	33.00/7480	41.2	1.70
38.4V	38.40	15.88	18.00	6.92	34.8	37.8	17.30	3.00	40.00/9091	50.0	1.83
CA624	38.40	15.88	19.05	8.28	36.1	39.1	20.50	3.00	50.00/11363	62.5	2.17
S55H	41.40	17.78	22.00	9.00	39.5	43.3	23.00	3.00	55.00/12633	72.6	6.94
CA2050	31.75	10.16	9.40	5.08	20.7	22.2	15.09	2.03	22.20/5045	28.1	0.78
Ca2060	38.10	11.91	12.57	5.94	25.9	27.7	18.00	2.42	31.80/7227	36.8	1.12
CA550HD	41.40	16.66	19.48	8.28	36.8	40.3	19.81	3.10	39.11/8886	50.8	2.16
CA550R	41.40	16.87	19.80	7.19	36.3	39.3	19.30	3.10	57.70/13113	61.5	2.20

CA型钢制农机链 CA type steel agricultural chain

CA型钢制农机链 CA type steel agricultural chain

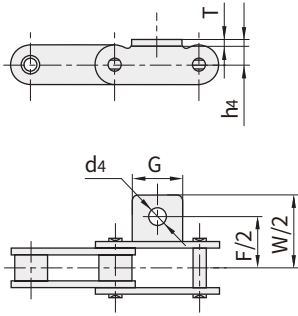


链号 Bison	节距 Pitch	滚子直径 Roller diameter	内节内宽 Width between inner plates	销轴直径 Pin diameter	销轴长度 Pin length		链板尺寸 Plate dimension		极限拉伸载荷 Ultimate tensile strength	平均拉伸载荷 Average tensile strength	每米长重 Weight per meter
Bison Chain No.	P	d ₁ max	b ₁ min	d ₂ max	L max	Lc max	h ₂ max	T max	Q min	Q0	q
	mm	mm	mm	mm	mm	mm	mm	mm	kN/lbf	kN	kg/m
CA2801	30.00	15.88	19.05	8.28	36.1	39.4	20.5	3.00	50.00/11247.	55.0	2.51
CA550D	41.40	16.87	19.81	7.19	35.0	38.0	19.3	2.80	39.10/8886	51.2	1.94
CA555D	41.40	16.87	12.70	7.19	29.1	32.0	19.3	3.10	38.10/8886	56.0	1.72
CA557D	41.40	17.78	20.24	8.00	37.4	40.6	23.1	3.10	55.61/12639	74.3	2.60
CA620D	42.01	17.91	24.51	7.19	41.8	45.2	20.2	3.25	39.10/8886	55.1	2.35

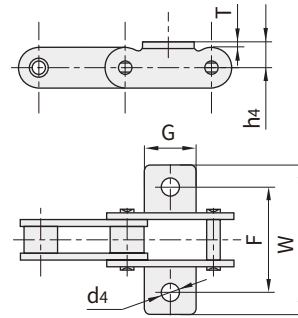
C型钢制农机链附件 C type steel agricultural chain attachments

C型钢制农机链附件 C type steel agricultural chain attachments

A1
A1S



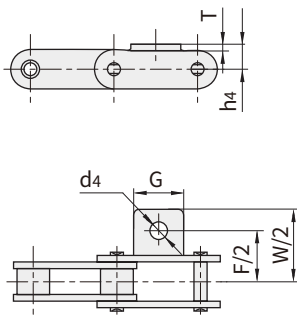
K1
K1S



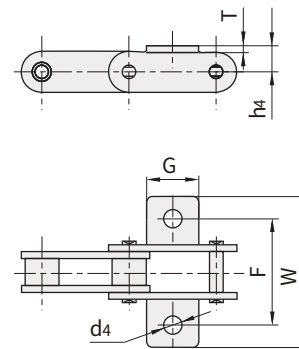
附件号 Bison		链号 Bison	G	F	W	d4	h4	T
Bison Att. No.		Bison Chain No.	mm	mm	mm	mm	mm	mm
A1	K1	CA620	22.2	62.7	80.2	7.1	11.5	3.25
A1S	K1S	CA620	22.2	62.7	80.2	8.7	11.5	3.25

C型钢制农机链附件 C type steel agricultural chain attachments

A1
A1S
A11
A4
A19
A25
A26



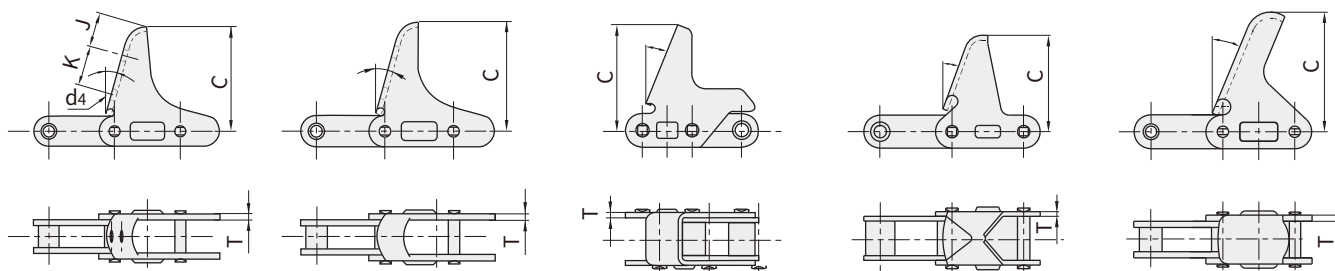
K1
K1S
K11
K4
K19
K25
K26



附件号 Bison		链号 Bison	G	F	W	d4	h4	T
Bison Att. No.		Bison Chain No.	mm	mm	mm	mm	mm	mm
A1	K1	CA2060H	28.60	42.90	67.80	5.50	14.70	3.25
A1S	K1S	CA2060H	28.60	42.90	67.80	6.65	14.70	3.25
A11	K11	CA2060H	28.60	42.90	67.80	8.70	14.70	3.25
A4*	K4*	CA557	38.10	73.60	104.54	10.30	15.88	4.80
A19	K19	CA557	28.60	50.80	72.10	7.10	14.30	3.10
A25*	K25*	CA557	28.60	50.80	72.10	8.70	14.30	3.10
A26	K26	CA2060H	28.60	42.90	37.80	10.30	14.70	3.25

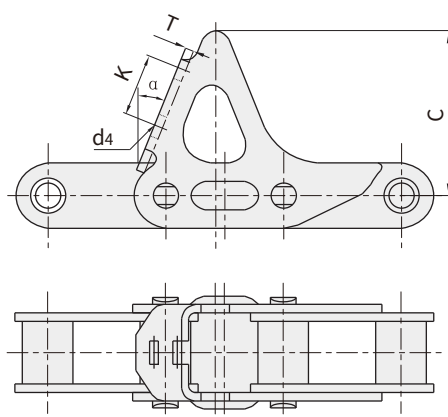
C型钢制农机链附件 C type steel agricultural chain attachments

C型钢制农机链附件 C type steel agricultural chain attachments



附件号 Bison	链号 Bison		C	K	J	d4	T
Bison Att. No.	Bison Chain No.		mm	mm	mm	mm	mm
C6E	CA550	20.0°	55.60				2.8
C6E	CA555	15.0°	63.50				3.1
C6EJ	CA555	15.0°	66.00	25.5	21.5	7.0	3.1
C6E	CA2060H	22.5°	63.50				3.25
C6E	CA2801	22.0°	63.85				3.0

C型钢制农机链附件 C type steel agricultural chain attachments



附件号 Bison	链号 Bison		K	T	C	d4
Bison Att. No.	Bison Chain No.		mm	mm	mm	mm
M22	S55H	22.0°	21.8	3.0	58	8.2 X 8.2