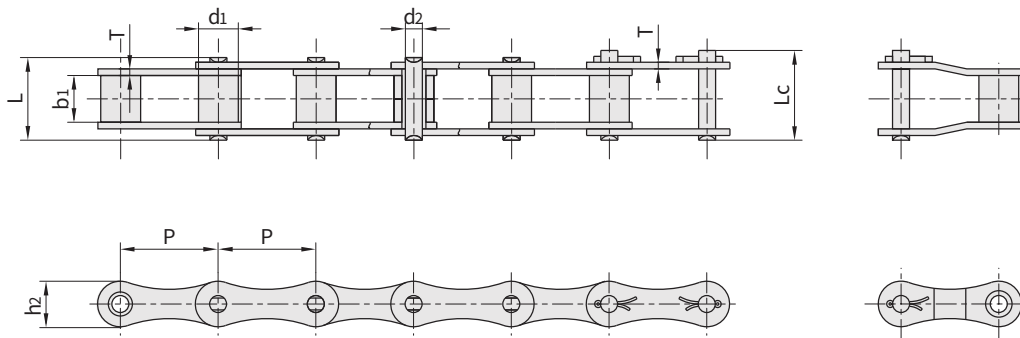


S型钢制农机链 S type steel agricultural chain

S型钢制农机链 S type steel agricultural chain



链号 Bison	节距 Pitch	滚子直径 Roller diameter	内节内宽 Width between inner plates	销轴直径 Pin diameter	销轴长度 Pin length		内链板高度 Inner plate depth	链板厚度 Plate thickness	极限拉伸载荷 Ultimate tensile strength	平均拉伸载荷 Average tensile strength	每米长重 Weight per meter
Bison Chain No.	P	d _{1 max}	b _{1 min}	d _{2 max}	L _{max}	L _{c max}	h _{2 max}	T _{max}	Q _{min}	Q ₀	q
	mm	mm	mm	mm	mm	mm	mm	mm	kN/LB	kN	kg/m
S32	29.21	11.43	15.88	4.45	26.6	28.5	13.5	1.8	8.0/1818	21.6	0.86
S32V	29.21	11.43	15.88	5.08	27.3	29.7	13.5	2.1	25.0/5680	27.0	0.96
S42	34.93	14.27	19.05	7.00	34.3	37.4	19.8	2.8	27.0/6136	50.8	1.60
S45	41.40	15.24	22.23	5.72	37.7	40.3	17.3	2.8	18.0/4091	36.1	1.66
S45R	41.40	15.24	22.23	7.16	38.7	41.6	17.3	3.0	35.5/8068	40.1	1.70
S51	38.10	15.24	16.00	5.72	31.1	33.7	17.3	2.8	28.0/6364	30.8	1.48
S52L	38.10	15.24	16.40	5.72	31.1	33.7	17.3	2.5	25.5/6636	32.2	1.36
S52	38.10	15.24	22.23	5.72	37.7	40.3	17.3	2.8	18.0/4091	36.1	1.68
S55V	41.40	17.78	22.60	8.28	39.0	41.9	20.0	3.0	42.0/9546	45.0	2.22
S55	41.40	17.78	22.23	5.72	37.7	40.3	17.3	2.8	18.0/4091	36.1	1.80
S55R	41.40	17.78	22.23	8.90	41.0	44.0	22.4	3.5	45.0/10227	73.1	2.49
S55RH	41.40	17.78	22.23	5.90	43.2	46.3	22.4	4.0	65.0/14772	84.5	2.74
S62	41.91	19.05	26.20	5.72	40.3	43.0	17.3	2.5	26.7/6067	36.1	1.87
S77	58.34	18.26	22.23	8.90	43.2	46.4	26.2	4.0	45.0/10227	73.1	2.66
S88	66.27	22.86	28.58	8.90	49.8	53.0	26.2	4.0	45.0/10227	73.1	3.25
CA642	41.40	15.88	19.05	8.28	36.1	39.1	21.2	3.0	50.0/11363	55.0	1.98
CA643	41.40	15.88	22.20	8.28	41.0	44.1	21.2	4.0/3.0	60.0/13635	75.0	2.42