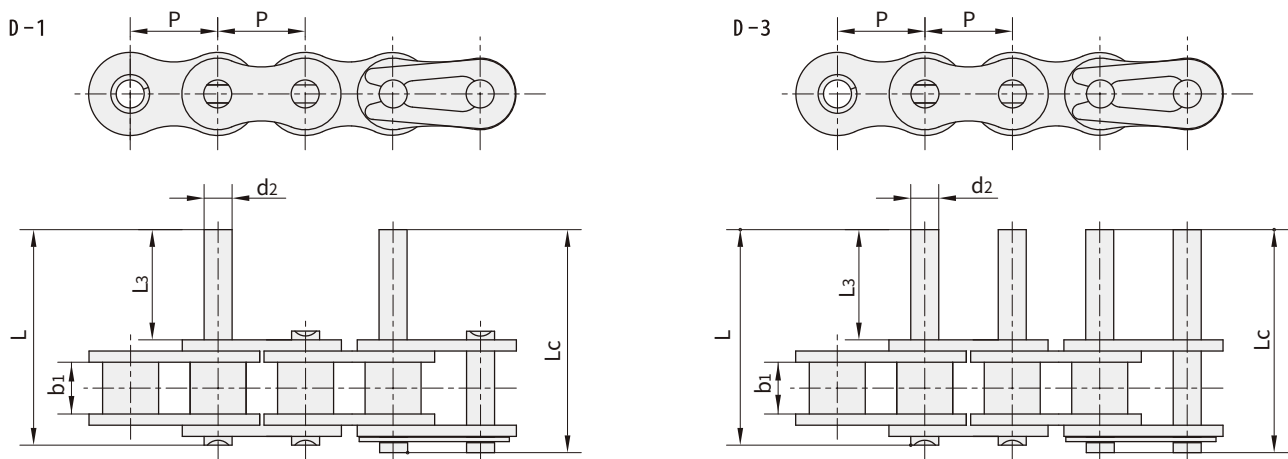


短节距加长销输送链 Short pitch conveyor chain with extended pins

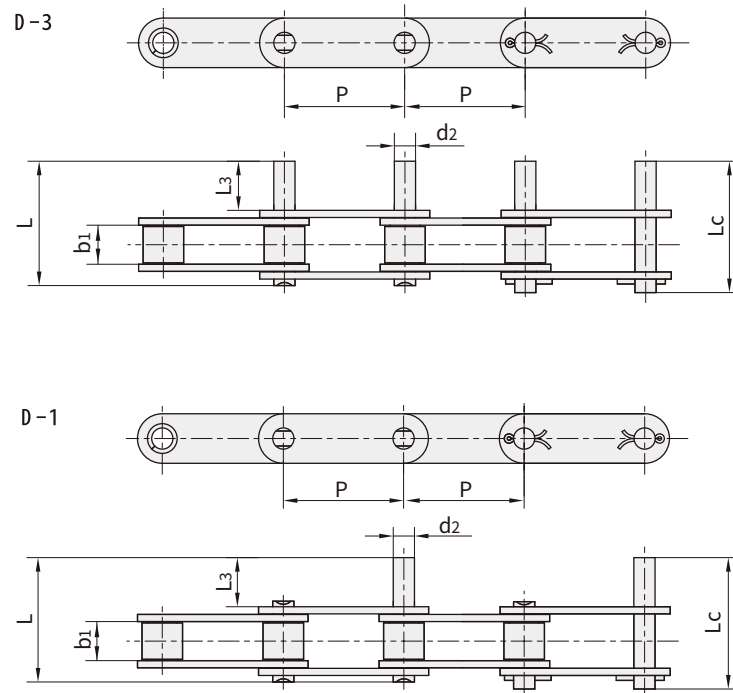
短节距加长销输送链 Short pitch conveyor chain with extended pins



链号 DIN/ISO	链号 ANSI	P	b1	d2	L3	L	Lc
DIN/ISO Chain No.	AN SI Chain No.	mm	mm	mm	mm	mm	mm
06C	35	9.525	4.77	3.58	9.5	20.8	21.6
08A	40	12.700	7.85	3.96	9.5	25.1	26.2
10A	50	15.875	9.40	5.08	11.9	31.3	33.1
12A	60	19.050	12.57	5.94	14.3	38.6	40.6
16A	80	25.400	15.75	7.92	19.1	50.3	53.3
20A	100	31.750	18.90	9.53	23.8	61.8	66.1
24A	120	38.100	25.22	11.10	28.6	76.4	80.4
28A	140	44.450	25.22	12.70	33.3	84.8	89.4
32A	160	50.800	31.55	14.27	38.1	99.6	104.4
08B		12.700	7.75	4.45	9.5	25.1	26.6
10B		15.875	9.65	5.08	11.9	30.1	31.5
12B		19.050	11.68	5.72	14.3	35.4	37.1
16B		25.400	17.02	8.28	19.1	53.0	54.3
20B		31.750	19.56	10.19	41.0	79.9	83.6
24B		38.100	25.40	14.63	50.7	101.4	105.8
28B		44.450	30.99	15.90	61.9	124.0	128.4
32B		50.800	30.99	17.81	64.8	126.8	131.8

双节距加长销输送链 Double pitch conveyor chain with extended pins

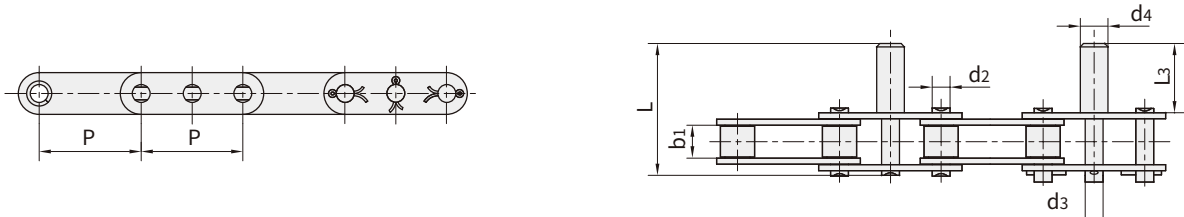
双节距加长销输送链 Double pitch conveyor chain with extended pins



链号 ISO	链号 ANSI	P	b1	d2	L3	L	Lc
ISO Chain No.	ANSI Chain No.	mm	mm	mm	mm	mm	mm
C208A C208AL	C2040 C2042	25.40	7.85	3.96	9.5	25.1	26.2
C210A C210AL	C2050 C2052	31.75	9.40	5.08	11.9	31.3	33.1
C212A C212AL	C2060 C2062	38.10	12.57	5.94	14.3	38.6	40.6
C212AH C212AHL	C2060H C2062H	38.10	12.57	5.94	14.3	42.0	43.8
C216A C216AL	C2080 C2082	50.80	15.75	7.92	19.1	50.3	53.3
C216AH C216AHL	C2080H C2082H	50.80	15.75	7.92	19.1	53.5	55.0
C220A C220AL	C2100 C2102	63.50	18.90	9.53	23.8	61.8	66.1
C220AH C220AHL	C2100H C2102H	63.50	18.90	9.53	23.8	65.0	68.3
C224AH C224AHL	C2120H C2122H	76.20	25.22	11.10	28.6	79.6	83.6
C232AH C232AHL	C2160H C2162H	101.60	31.75	14.27	38.1	103.0	107.8

双节距加长销输送链 Double pitch conveyor chain with extended pins

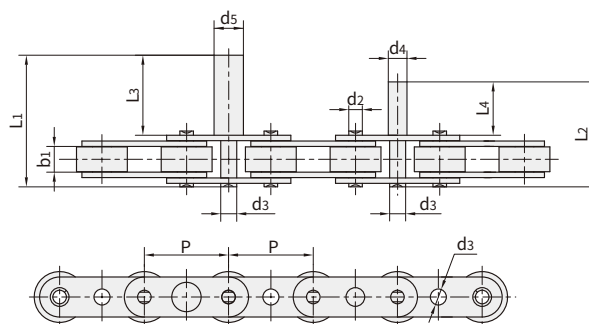
双节距加长销输送链 Double pitch conveyor chain with extended pins



链号 ISO	P	b1	d2	d3	d4	L3	L
ISO Chain No.	mm	mm	mm	mm	mm	mm	mm
C2052F2	31.75	9.40	5.08	6.00	7.0	20.0	39.8
C2052F14	31.75	9.40	5.08	6.00	7.0	21.0	40.4
C2062-D39	38.10	12.57	5.94	5.94	13.3	32.2	56.6
C2060HF9	38.10	12.57	5.94	7.95	12.7	41.3	69.3

双节距加长销输送链 Double pitch conveyor chain with extended pins

双节距加长销输送链 Double pitch conveyor chain with extended pins



链号 Bison	P	b1	d2	d3	d4	d5	L3	L1	L4	L2
Bison Chain No.	mm	mm	mm	mm	mm	mm	mm	mm	mm	mm
C2052F1	31.75	9.40	5.08	6.27	7.13	11.10	28.45	48.35	19.80	39.70
C2062F1	38.10	12.57	5.94	8.71	11.10	12.70	32.50	60.40	25.40	53.30