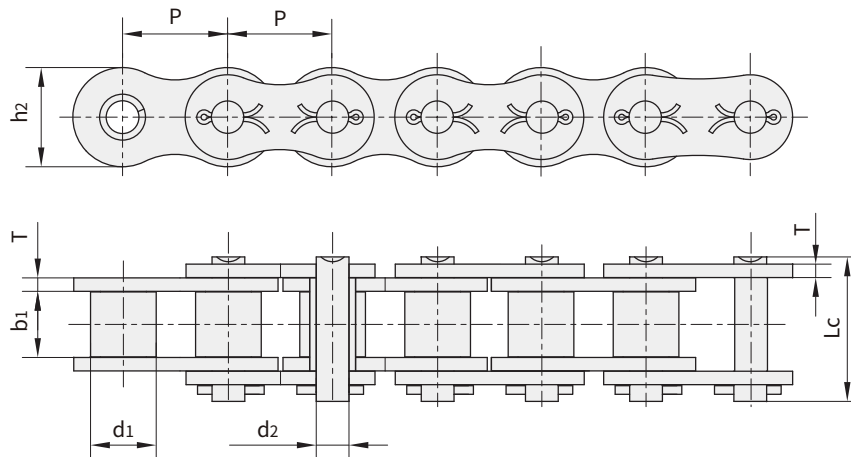


A系列开口销型短节距精密滚子链 Cottered type short pitch precision roller chain (A series)

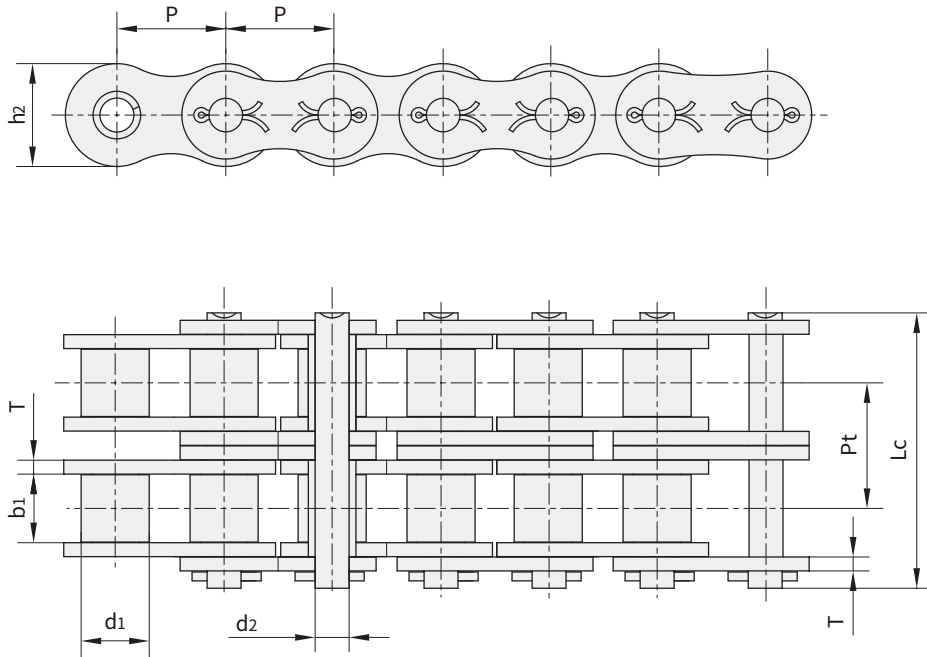
单排滚子链/套筒链 Simplex precision roller chain



链号 DIN/ISO	链号 ANSI	节距 Pitch	滚子直径 Roller diameter	内节内宽 Width between inner plates	销轴直径 Pin diameter	销轴长度 Pin length	内链板高度 Innerplate depth	链板厚度 Plate thickness	极限拉伸载荷 Ultimate tensile strength	平均拉伸载荷 Average tensile strength	每米长重 Weight per meter
DIN/ISO Chain No.	ANSI Chain No.	P	d1 max	b1 min	d2 max	Lc max	h2 max	T max	Q min	Q0	q
		mm	mm	mm	mm	mm	mm	mm	kN/lbf	kN	kg/m
10A-1	50-1	15.875	10.16	9.40	5.08	23.3	15.09	2.03	22.2/5045	29.4	1.02
12A-1	60-1	19.050	11.91	12.57	5.94	28.3	18.00	2.42	31.8/7227	41.5	1.50
16A-1	80-1	25.400	15.88	15.75	7.92	36.5	24.00	3.25	56.7/12886	69.4	2.60
20A-1	100-1	31.750	19.05	18.90	9.53	44.7	30.00	4.00	88.5/20114	109.2	3.91
24A-1	120-1	38.100	22.23	25.22	11.10	54.3	35.70	4.80	127.0/28864	156.3	5.62
28A-1	140-1	44.450	25.40	25.22	12.70	59.0	41.00	5.60	172.4/39182	212.0	7.50
32A-1	160-1	50.800	28.58	31.55	14.27	69.6	47.80	6.40	226.8/51545	278.9	10.10
36A-1	180-1	57.150	35.71	35.48	17.46	78.6	53.60	7.20	280.2/63682	341.8	13.45
40A-1	200-1	63.500	39.68	37.85	19.85	87.2	60.00	8.00	353.8/80409	431.6	16.15
48A-1	240-1	76.200	47.63	47.35	23.81	103.0	72.39	9.50	510.3/115977	622.5	23.20

A系列开口销型短节距精密滚子链 Cottered type short pitch precision roller chain (A series)

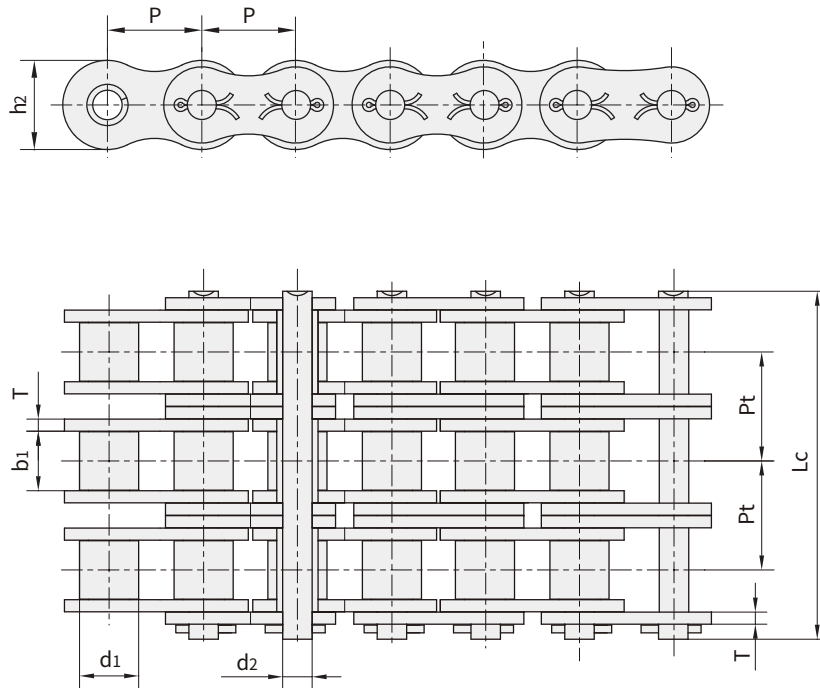
双排滚子链/套筒链 Duplex precision roller chain



链号 DIN/ISO	链号 ANSI	节距 Pitch	滚子直径 Roller diameter	内节内宽 Width between inner plates	销轴直径 Pin diameter	销轴长度 Pin length	内链板高度 Innerplate depth	链板厚度 Plate thickness	排距 Transverse pitch	极限拉伸载荷 Ultimate tensile strength	平均拉伸载荷 Average tensile strength	每米长重 Weight per meter
DIN/ISO Chain No.	ANSI Chain No.	P	d ₁ max	b ₁ min	d ₂ max	Lc max	h ₂ max	T max	Pt	Q _{min}	Q ₀	q
		mm	mm	mm	mm	mm	mm	mm	mm	kN/lbf	kN	kg/m
10A-2	50-2	15.875	10.16	9.40	5.08	41.2	15.09	2.03	18.11	44.4/10091	58.1	2.00
12A-2	60-2	19.050	11.91	12.57	5.94	51.1	18.00	2.42	22.78	63.6/14455	82.1	2.92
16A-2	80-2	25.400	15.88	15.75	7.92	65.8	24.00	3.25	29.29	113.4/25773	141.8	5.15
20A-2	100-2	31.750	19.05	18.90	9.53	80.5	30.00	4.00	35.76	177.0/40227	219.4	7.80
24A-2	120-2	38.100	22.23	25.22	11.10	99.7	35.70	4.80	45.44	254.0/57727	314.9	11.70
28A-2	140-2	44.450	25.40	25.22	12.70	107.9	41.00	5.60	48.87	344.8/78364	427.5	15.14
32A-2	160-2	50.800	28.58	31.55	14.27	128.1	47.80	6.40	58.55	453.6/103091	562.4	20.14
36A-2	180-2	57.150	35.71	35.48	17.46	144.4	53.60	7.20	65.84	560.5/127386	695.0	29.22
40A-2	200-2	63.500	39.68	37.85	19.85	158.8	60.00	8.00	71.55	707.6/160818	877.4	32.24
48A-2	240-2	76.200	47.63	47.35	23.81	190.8	72.39	9.50	87.83	1020.6/231955	1255.3	45.23

A系列开口销型短节距精密滚子链 Cottered type short pitch precision roller chain (A series)

三排滚子链/套筒链 Triplex precision roller chain



链号 DIN/ISO	链号 ANSI	节距 Pitch	滚子直径 Roller diameter	内节内宽 Width between inner plates	销轴直径 Pin diameter	销轴长度 Pin length	内链板高度 Innerplate depth	链板厚度 Plate thickness	排距 Transverse pitch	极限拉伸载荷 Ultimate tensile strength	平均拉伸载荷 Average tensile strength	每米长重 Weight per meter
DIN/ISO Chain No.	ANSI Chain No.	P	d ₁ max	b ₁ min	d ₂ max	L _c max	h ₂ max	T max	Pt	Q _{min}	Q ₀	q
		mm	mm	mm	mm	mm	mm	mm	mm	kN/lbf	kN	kg/m
10A-3	50-3	15.875	10.16	9.40	5.08	59.3	15.09	2.03	18.11	66.6/15136	77.8	3.09
12A-3	60-3	19.050	11.91	12.57	5.94	73.9	18.00	2.42	22.78	95.4/21682	111.1	4.54
16A-3	80-3	25.400	15.88	15.75	7.92	95.1	24.00	3.25	29.29	170.1/38659	198.4	7.89
20A-3	100-3	31.750	19.05	18.90	9.53	116.3	30.00	4.00	35.76	265.5/60341	309.6	11.77
24A-3	120-3	38.100	22.23	25.22	11.10	145.2	35.70	4.80	45.44	381.0/86591	437.2	17.53
28A-3	140-3	44.450	25.40	25.22	12.70	156.8	41.00	5.60	48.87	517.2/117545	593.3	22.20
32A-3	160-3	50.800	28.58	31.55	14.27	186.6	47.80	6.40	58.55	680.4/154636	780.6	30.02
36A-3	180-3	57.150	35.71	35.48	17.46	210.2	53.60	7.20	65.84	840.7/191068	983.6	38.22
40A-3	200-3	63.500	39.68	37.85	19.85	230.4	60.00	8.00	71.55	1061.4/241227	1217.8	49.03
48A-3	240-3	76.200	47.63	47.35	23.81	278.6	72.39	9.50	87.83	1530.9/347932	1756.5	71.60