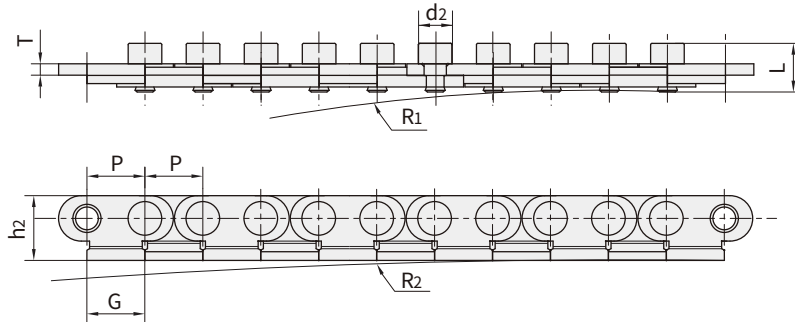


## 推窗用防弯链 Anti-sidebow chain for pushing window

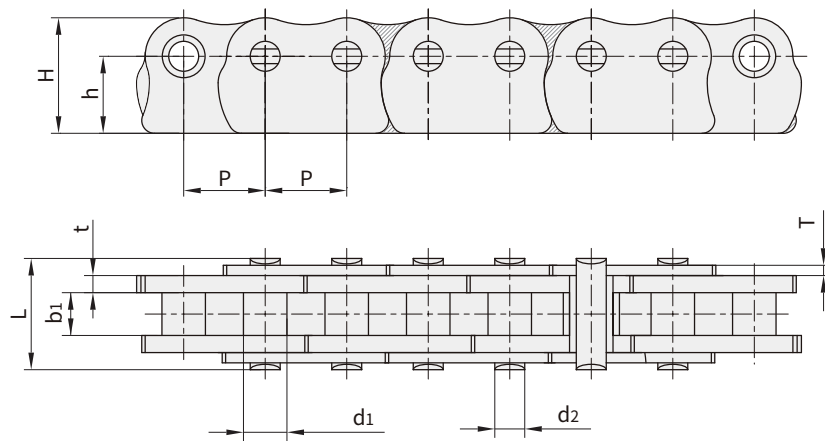
推窗用防弯链 Anti-sidebow chain for pushing window



链号 Bison	节距 Pitch	销轴直径 Pin diameter	销轴长度 Pin length	链板尺寸 Plate dimension			侧弯半径 Side bow radius	
				$h_2$ max	G max	T max	R <sub>1</sub>	R <sub>2</sub>
Bison Chain No.	P	d <sub>2</sub> max	L max	mm	mm	mm	mm	mm
P12.75SB	12.75	7.4	10.65	14.25	12.8	2.5	500~800	1000
P12.75SBF1	12.75	7.4	11.00	14.25	12.8	2.5	500~800	1000

## 推窗用防弯链 Anti-sidebow chain for pushing window

推窗用防弯链 Anti-sidebow chain for pushing window



链号 Bison	节距 Pitch	滚子直径 Roller diameter	内节内宽 Width between inner plates	销轴直径 Pin diameter	销轴长度 Pin length	链板尺寸 Plate dimension		
Bison Chain No.	P	d <sub>1</sub> max	b <sub>1</sub> min	d <sub>2</sub> max	L max	H max	h	t/T
	mm	mm	mm	mm	mm	mm	mm	mm
*P9.5SB	9.500	4.80	5.30	3.58	11.50	13.00	8.50	1.04
06BF33SS	9.525	6.35	5.72	3.28	13.15	12.38	7.88	1.30
06BF34	9.525	6.35	3.80	3.28	10.00	12.38	7.88	1.04
08ACGLF1	12.700	7.82	7.85	3.96	16.60	17.00	-	1.50
08BHNCGL	12.700	8.51	5.30	4.45	16.00	17.00	-	2.03
P12.7F4	12.700	7.50	5.50	4.45	15.60	14.30	8.50	2.03

■\*套筒链：表中滚子直径d<sub>1</sub>为套筒直径

■\*Bush chain: d<sub>1</sub> in the table indicates the external diameter of the bush