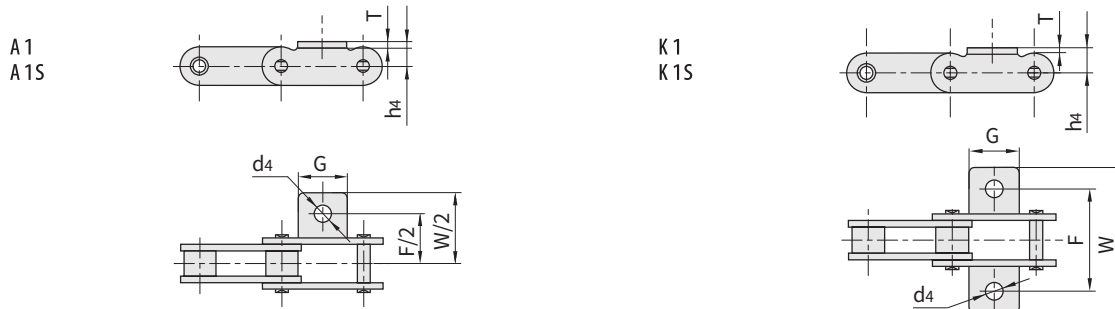


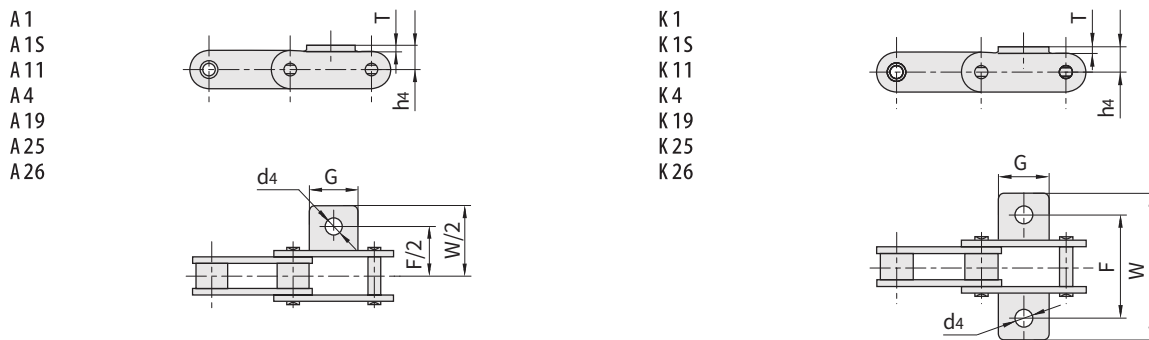
## C型钢制农机链附件 C type steel agricultural chain attachments

C型钢制农机链附件 C type steel agricultural chain attachments



附件号 Bison	链号 Bison	G	F	W	d4	h4	T	
Bison Att. No.	Bison Chain No.	mm	mm	mm	mm	mm	mm	
A1	K1	CA620	22.2	62.7	80.2	7.1	11.5	3.25
A1S	K1S	CA620	22.2	62.7	80.2	8.7	11.5	3.25

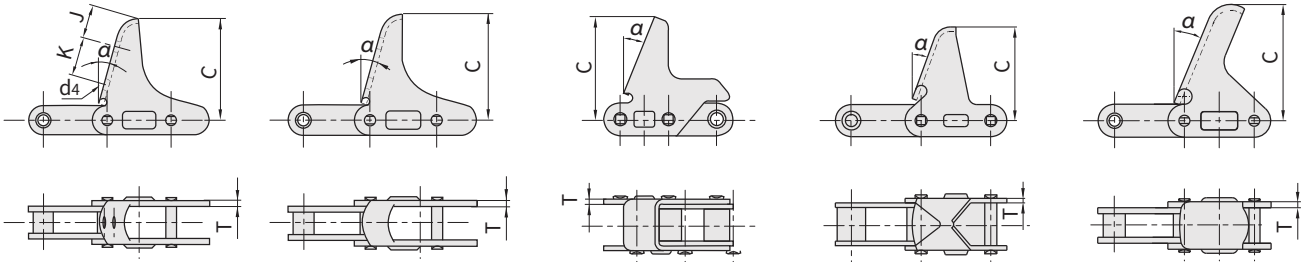
C型钢制农机链附件 C type steel agricultural chain attachments



附件号 Bison	链号 Bison	G	F	W	d4	h4	T	
Bison Att. No.	Bison Chain No.	mm	mm	mm	mm	mm	mm	
A1	K1	CA2060H	28.60	42.90	67.80	5.50	14.70	3.25
A1S	K1S	CA2060H	28.60	42.90	67.80	6.65	14.70	3.25
A11	K11	CA2060H	28.60	42.90	67.80	8.70	14.70	3.25
A4*	K4*	CA557	38.10	73.60	104.54	10.30	15.88	4.80
A19	K19	CA557	28.60	50.80	72.10	7.10	14.30	3.10
A25*	K25*	CA557	28.60	50.80	72.10	8.70	14.30	3.10
A26	K26	CA2060H	28.60	42.90	37.80	10.30	14.70	3.25

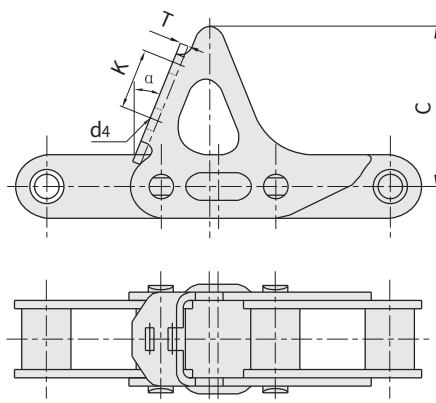
## C型钢制农机链附件 C type steel agricultural chain attachments

C型钢制农机链附件 C type steel agricultural chain attachments



附件号 Bison	链号 Bison	$a$	C	K	J	d4	T
Bison Att. No.	Bison Chain No.		mm	mm	mm	mm	mm
C6E	CA550	20.0°	55.60				2.8
C6E	CA555	15.0°	63.50				3.1
C6EJ	CA555	15.0°	66.00	25.5	21.5	7.0	3.1
C6E	CA2060H	22.5°	63.50				3.25
C6E	CA2801	22.0°	63.85				3.0

C型钢制农机链附件 C type steel agricultural chain attachments



附件号 Bison	链号 Bison	$a$	K	T	C	d4
Bison Att. No.	Bison Chain No.		mm	mm	mm	mm
M22	S55H	22.0°	21.8	3.0	58	8.2 X 8.2